

EVERHOT®

HEAVY DUTY GAS



GAS

260L
275L

CAPACITY

51 MJ/HR
200 MJ/HR

INPUT

INDOOR
OUTDOOR

INSTALLATION

5
YEAR

CYLINDER
WARRANTY²⁰



Everhot Heavy Duty Gas is a robust commercial water heater range designed to provide between 380 and 970 litres of hot water in the first hour and 190 to 750L/hr recovery hour after hour at 50°C temperature rise.

FEATURES

- Available in the most popular capacities of 260L / 51MJ/hr input and 275L / 200MJ/hr input
- Indoor and outdoor natural gas models available
- Direct replacement for the most popular heavy duty gas models
- Heavy duty enamel and multiple anodes²¹ provide long service life
- Indoor 275 model has automatic flue damper reducing heat loss by up to 60% compared to AGA maximum allowance
- Hot surface ignition on 275L models
- 82°C capable for sanitising applications on 275L models
- Manifold multiple units together for greater capacity and output
- Mains pressure
- Made in Australia
- 5 year cylinder warranty²⁰
- Full warranty support through a comprehensive national service network

Product data: page 15



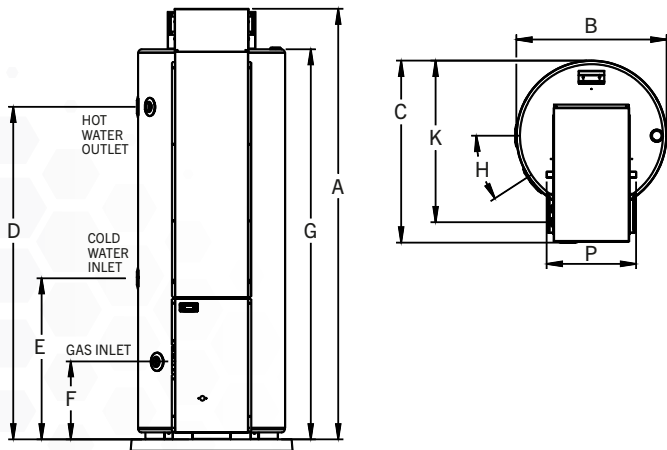
Made by Rheem Manufacturing

HEAVY DUTY GAS

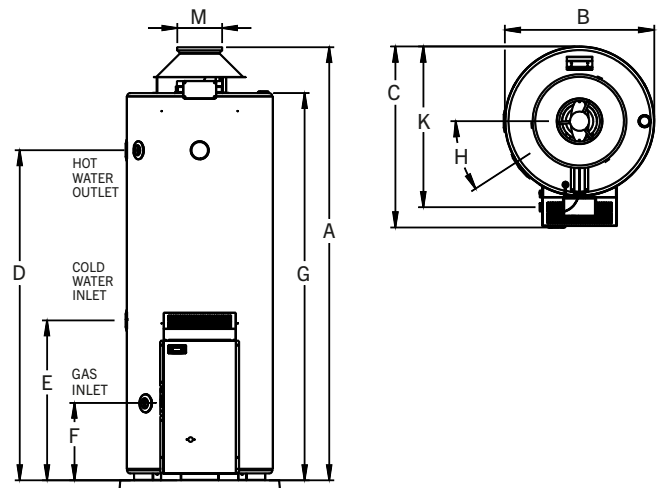
SPECIFICATIONS		OUTDOOR MODELS		INDOOR MODELS	
Heavy Duty Gas	Everhot Model Number	632260	635275	622260	625275
	Reece Product Code	1306823	1306824	1306821	1306822
Storage Capacity	Litres	260	275	260	275
Thermal Input (natural gas)	MJ/hr	51	200	51	200
Recovery @ 50°C rise	L/hr	190	750	190	750
First Hour Delivery	L	380	970	380	970
Water Hot and Cold Connections	BSPF	Rp 1¼	Rp 1¼	Rp 1¼	Rp 1¼
Gas Connection	BSPF	Rp ½	Rp ¾	Rp ½	Rp ¾
T&PR Valve Connection	BSPF	Rp ¾	Rp ¾	Rp ¾	Rp ¾
T&PR Valve Setting	kPa	1000	1000	1000	1000
ECV	kPa	850	850	850	850
Max. Water Supply Pressure					
without ECV fitted	kPa	800	800	800	800
with ECV fitted	kPa	680	680	680	680
Max. Thermostat Setting	°C	65	82	65	82
Min. Thermostat Setting	°C	off	60	off	60
Electrical Connection		-	2m 10A plug and lead	-	2m 10A plug and lead
Electrical Rating 240V 50Hz		-	250 Watts / 1.1 Amps	-	150 Watts / 0.65 Amps
Maintenance Rate	MJ/day	30.7	50.7	33.9	26.1
Dimensions					
A	mm	1640	1885	1660	1910
B	mm	590	645	590	645
C	mm	680	780	670	780
D	mm	1320	1454	1320	1454
E	mm	330	704	330	704
F	mm	295	341	297	341
G	mm	1520	1706	1520	1706
H	degrees	27	33	27	33
K	mm	655	692	655	692
M	mm	-	-	100	200
P	mm	420	383	-	-
Approx. Weight (inc. packaging)	kg	110	174	101	167

Technical data is subject to change.

Outdoor Models



Indoor Models



20. Warranty: 5 Year cylinder warranty, 1 Year parts and labour on all other components in commercial installations.
 Conditions apply. See the Everhot warranty set out in the Owner's Guide and Installation Instructions or view online at www.reece.com.au/Everhot.
21. Black anode suitable up to 600mg/L Total Dissolved Solids only available.