

KNEE OPERATED HAND BASIN



WELS REG #
Low-level Spout - **T38022**
Gooseneck Spout - **T36832**



Scan QR code
to view online



Image shows Knee Operated Hand Basin with Low Level Spout

features and benefits

- Hands-free activation
- Prevents cross-contamination
- Complies with food prep. standards
- 11 litre bowl capacity
- Heavy duty operating valve
- No electrical connections
- Chamfered corners for added safety
- Supplied pre-plumbed ready to install
- Includes pressure limiting valve
- Grade 304 stainless steel
- 40mm waste outlet supplied
- Concealed wall brackets
- 50mm blade upstand to rear
- Choice of low level or goose neck spout

about

The *BRITEX Stainless Steel Knee Operated Hand Basin* is primarily used in commercial food handling areas and incorporates a generous 11 litre bowl. The tap is activated by leaning against the front push panel, eliminating the need for electronic / mains powered tapware in areas where avoiding cross-contamination is paramount. Supplied pre-plumbed and easy to install, the Knee Operated Basin is extremely heavy duty and comes complete with pressure limiting valve, 40mm waste outlet and choice of low-level or goose neck type spout.

sample spec. text

*BRITEX S.S. Knee Operated Hand Basin - 500L x 425W x 283H O/A. 11 litre bowl capacity. Supplied pre-plumbed with **goose neck/low-level** type spout, front push panel, pressure limiting valve, mounting bracket, 40mm waste outlet **and tempering valve** - Product Code HBKO*

*RED TEXT may denote a **variable** where one option only is to be selected, a **nominal dimension** that needs to be specified, or an **optional feature** that can be removed if not required. Please refer to the back of this page for additional specification details and options.

VISIT BRITEX.COM.AU TO DOWNLOAD BIM FILES, CAD DRAWINGS AND THE MOST CURRENT PRODUCT LITERATURE.



MELBOURNE
Britex Place, Mirra Crt
Bundoora VIC 3083
t (03) 9466 9000
f (03) 9466 9044

SYDNEY
16 Northumberland Drv
Taren Point NSW 2229
t (02) 9531 2100
f (02) 9531 2800

PERTH
Unit 1/8 Principal Link
Malaga WA 6090
t (08) 9249 5464
f (08) 9248 6893

BRISBANE
19 Manilla St
East Brisbane QLD 4169
t (07) 3363 2400
f (07) 3363 2444

ADELAIDE
The Britex Group
SA State Office
t 1300 764 744
f 1300 784 306

britex.com.au | info@britex.com.au | A.B.N 83 004 309 737

KNEE OPERATED HAND BASIN

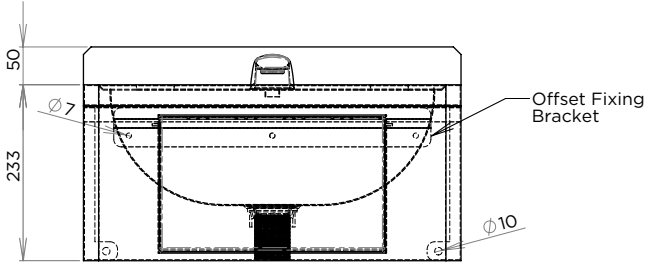
PRODUCT CODE

HBKO

6.20

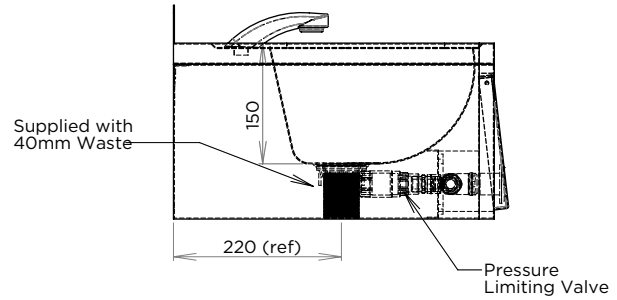
HAND BASINS

#HBKO / KNEE OPERATED HAND BASIN

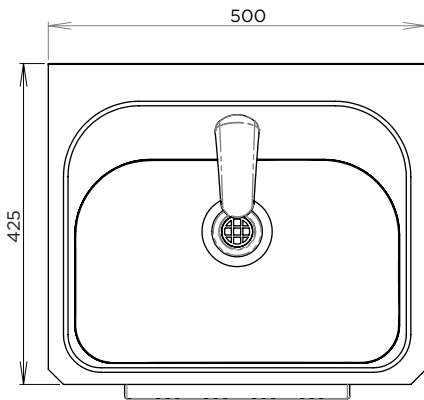


Suggested mounting height: 850-900mm AFL

MODEL HBKO Front Elevation



MODEL HBKO Section



MODEL HBKO Plan

specifying guide

When specifying this product please include:

- Product Name and Code
- Product Dimensions
- Spout Type

options

- Splashback Panel - Up to 500mm High
- Low level or goose neck spout
- Tempering valve

VISIT BRITEX.COM.AU TO DOWNLOAD BIM FILES, CAD DRAWINGS AND THE MOST CURRENT PRODUCT LITERATURE.

Last Revised 2020