

KADO

Kado Aspect Swivel Heated Towel Rail 635mm x 400mm Chrome

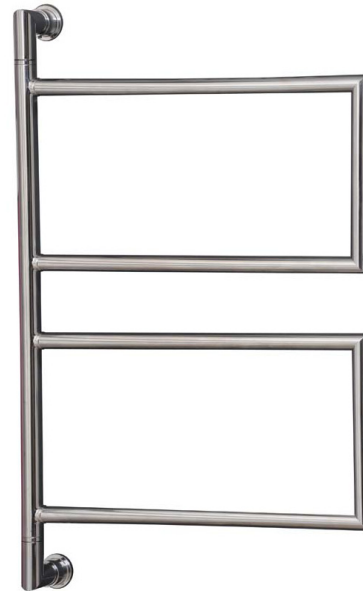
SPECIFICATIONS

Recommended Use	Domestic, Hotel & Commercial
Material	Copper Tube with Brass Fittings
Electrical Connection	Hardwired
Power Entry	Through wall bracket - Bottom only
Heating Method	Water Filled
Voltage	240V
Wattage	20 watts
IP Rating	IPX5
Standard	AS/NZS:3350

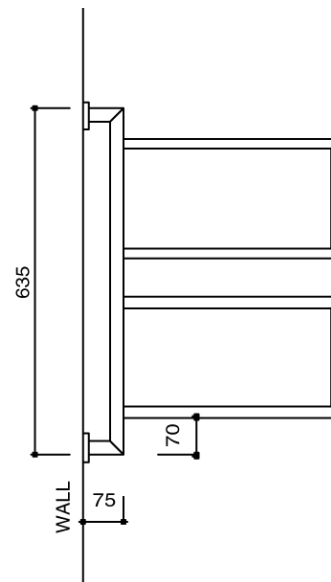
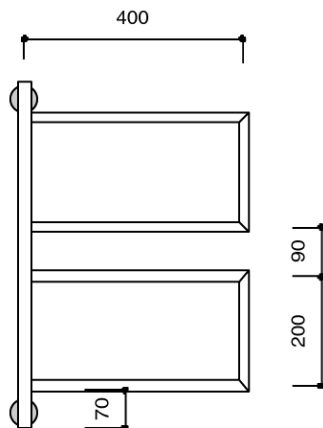
WARRANTY

Warranty - Domestic Use	7 Years
Heating Elements	3 Years
Spare Parts & Labour	12 Months

Please refer to Warranty Page for full Terms and Conditions



To see the complete Kado range go to www.reece.com.au/bathrooms



Dimensions are nominal measurements only.

Disclaimer: Products in this specification manual must by regulation be installed by licensed and registered trade people. The manufacturer/distributor reserves the right to vary specifications or delete models from their range without prior notification. Dimensions are nominal measurements only. Dimensions and set-outs listed are correct at time of publication however the manufacturer/distributor takes no responsibility for printing errors.

Published 24.01.18

