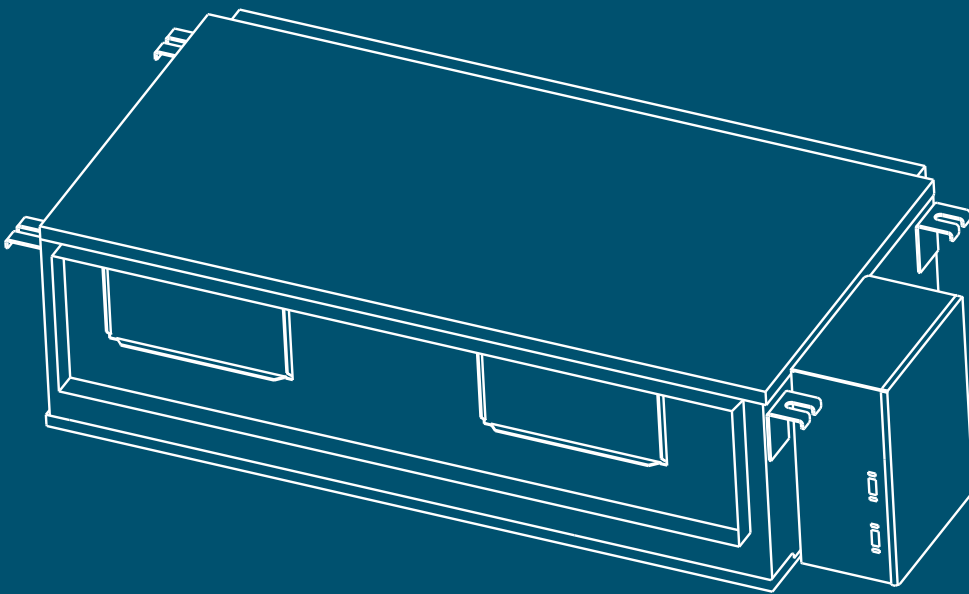


DUCTED AIR CONDITIONER

# Owner's Manual

KD Series

KD36 | KD42 | KD48 | KD60



**kaden**<sup>®</sup>



---

# Table of Contents

1. Safety Precautions	4
2. Indoor Unit Parts and Major Functions	6
3. Care and Maintenance	8
4. Troubleshooting	9
5. Disposal Guidelines	13

## Important note:

Read this manual carefully before installing or operating your new air conditioning unit. Make sure to save this manual for future reference.

---

# 1. Safety Precautions

## Read Safety Precautions Before Installation

Thank you for purchasing this air conditioner. This manual will provide you with information on how to operate, maintain, and troubleshoot your air conditioner. Following the instructions will ensure the proper function and extended lifespan of your unit.

Please pay attention to the following signs:



This symbol indicates that ignoring instructions may cause death or serious injury.



This symbol indicates that ignoring instruction may cause moderate injury to your person, or damage to your unit or other property.

### WARNING



- Ask an authorised technician to install this air conditioner. Inappropriate installation may cause water leakage, electric shock, or fire.
- The warranty will be voided if the unit is not installed by professionals.
- If abnormal situation arises (like burning smell), turn off the power supply and call an authorised technician for instructions to avoid electric shock, fire or injury.
- **Do not** let the indoor unit or the remote control get wet. It may cause electric shock or fire.
- **Do not** insert fingers, rods or other objects into the air inlet or outlet. This may cause injury, since the fan may be rotating at high speeds.
- **Do not** use a flammable spray such as hair spray, lacquer or paint near the unit. This may cause fire or combustion.

### CAUTION

- **Do not** touch the air outlet while the swing flap is in motion. Fingers might get caught or the unit may break down.
- **Do not** inspect the unit by yourself. Ask an authorised technician to perform the inspection.
- To prevent product deterioration, do not use the air conditioner for preservation purposes (storage of food, plants, animals, works of art, etc.).
- **Do not** touch the evaporator coils inside the indoor unit. The evaporator coils are sharp and may cause injury.
- **Do not** operate the air conditioner with wet hands. It may cause electric shock.
- **Do not** place items that might be affected by moisture damage under the indoor unit. Condensation can occur at a relative humidity of 80%.
- **Do not** expose heat-producing appliances to cold air or place them under the indoor unit. This may cause incomplete combustion or deformation of the unit due to the heat.
- After long periods of usage, check the indoor unit to see if anything is damaged. If the indoor unit is damaged, it may fall and cause injury.
- If the air conditioner is used together with other heating devices, thoroughly ventilate the room to avoid oxygen deficiency.
- **Do not** climb onto or place objects on top of the outdoor unit.

**! CAUTION**

- **Do not** operate the air conditioner when using fumigant insecticides. The chemicals may become layered with the unit and endanger those who are hypersensitive to chemicals.
- **Do not** let children play with the air conditioner.
- The air conditioner can be used by children aged 8 years and older and people with reduced physical, sensory or mental capabilities, or lack of experience and knowledge, if they have been given instruction on how to properly and safely operate the system.
- **Do not** operate the air conditioner in a wet room (e.g. bathroom or laundry room). This can cause electrical shock and cause the product to deteriorate.
- An all-pole disconnection device which has at least 3mm separation distance in all pole and a residual current device (RCD) with the rating of above 10mA shall be incorporated in the fixed wiring according to the national rule.
- The appliance shall be installed in accordance with national wiring regulations.
- Children should be supervised to ensure that they do not play with the appliance.

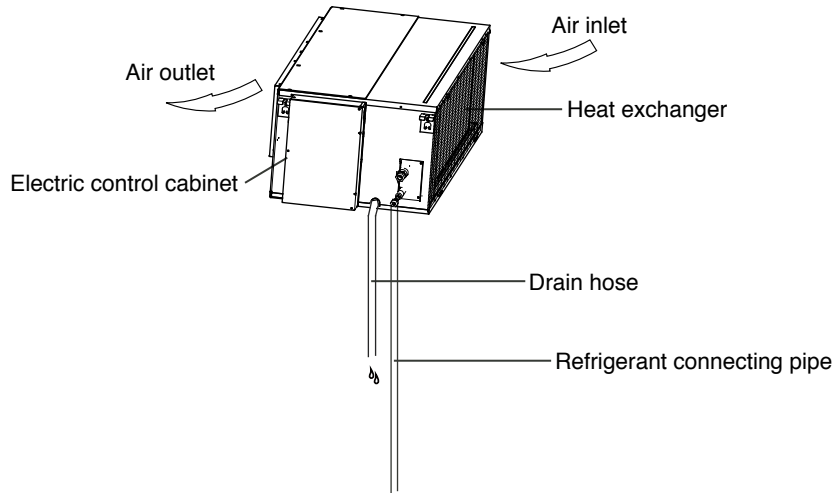
 <b>WARNING</b>	
<p><b>KEEP OUT OF REACH OF CHILDREN</b>                  This product contains button / coin cell batteries. Keep new and used batteries away from children. A swallowed button or coin cell battery can cause internal chemical burns and death in as little as two hours. Dispose of unused batteries immediately. If you think batteries might have been swallowed or placed inside any part of the body, seek immediate medical attention.</p>	



'If it is suspected a button/coin battery has been swallowed or otherwise placed inside any part of the body, a person should contact the Australian Poisons Information Centre on 13 11 26 or National Poisons Centre on 0800 764 766 (New Zealand) immediately for 24/7 fast, expert advice.'

## 2. Indoor Unit Parts and Major Functions

### Unit Parts



### Operating Conditions

Use the system in the following temperature for safe and effective operation. If the air conditioner is used outside of the following conditions, it may malfunction or be less efficient.

	COOL mode	HEAT mode	DRY mode
Room Temperature	17°C - 32°C	0°C - 30°C	17°C - 32°C
Outdoor Temperature	-15°C - 50°C	-15°C - 24°C	0°C - 50°C

### Features

#### Default Setting

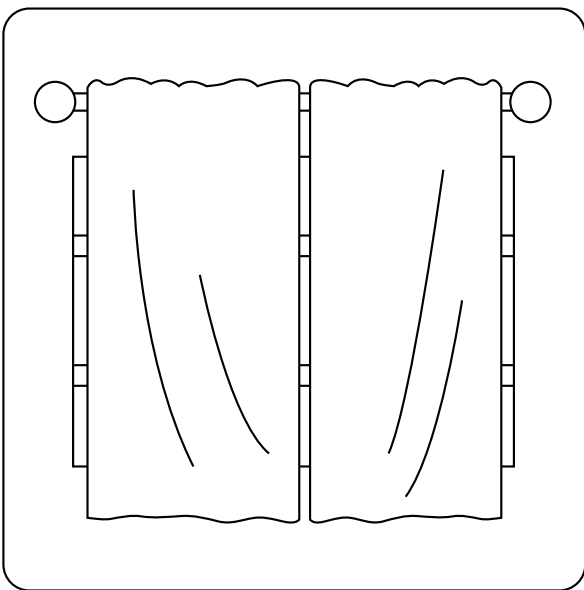
When the air conditioner restarts after a power failure, it will default to the factory settings (AUTO mode, AUTO fan, 24°C). This may cause inconsistencies on the remote control and unit panel. Use your remote control to update the status.

#### Auto-Restart

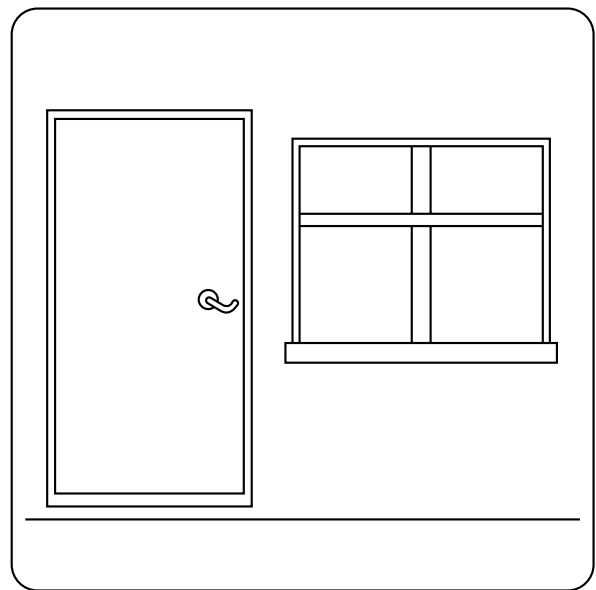
In case of power failure, the system will immediately stop. When power returns, the Operation light on the indoor unit will flash. To restart the unit, press the ON/OFF button on the wired control. If the system has an auto restart function, the unit will restart using the same settings.

## Energy Saving Tips

- **Do not** set the unit to excessive temperature levels.
- While cooling, close the curtains to avoid direct sunlight.
- Doors and windows should be kept closed to keep cool or warm air in the room.
- **Do not** place objects near the air inlet and outlet of the unit. This will reduce the efficiency of the unit.
- Set a timer and use the built-in **SLEEP/ECONOMY** mode if applicable.
- Adjust louvers properly and avoid direct airflow.



Closing curtains during heating also helps keep the heat in



Doors and windows should be kept closed

---

# 3. Care and Maintenance

## Safety Precautions

- Contact an authorised service technician for repair or maintenance of this unit. Improper repair and maintenance may cause water leakage, electrical shock, or fire, and may void your warranty.
- **Do not** substitute a blown fuse with a higher or lower amperage rating fuse, as this may cause circuit damage or an electrical fire.
- Please make sure the drain hose is set up according to the instructions. Failure to do so could cause leakage and result in personal property damage, fire and electric shock.
- Make sure that all wires are connected properly. Failure to connect wires according to instructions can result in electrical shock or fire.

## Unit Maintenance

### Before Cleaning or Maintenance

- Always turn off your air conditioning system and disconnect its power supply before cleaning or maintenance.
- **Do not** use chemicals or chemically treated cloths to clean the unit.
- **Do not** use benzene, paint thinner, polishing powder or other solvents to clean the unit. They can cause the plastic surface to crack or deform.
- **Do not** wash the unit under running water. Doing so causes electrical danger.
- **Do not** use water hotter than 40°C to clean the front panel. This can cause the panel to deform or become discolored.
- Clean the unit using a damp, lint-free cloth and neutral detergent. Dry the unit with a dry, lint-free cloth.

## Repairing Refrigerant Leaks

### WARNING

- If the refrigerant leaks, turn off the air conditioner and any combustible heating devices, ventilate the room and call your dealer immediately. Refrigerant is both toxic and flammable. **Do not** use the air conditioner until the leak is repaired.
- When the air conditioner is installed in a small room, measures must be taken to prevent the refrigerant concentration from exceeding the safety limit in the event of refrigerant leakage. Concentrated refrigerant causes a severe health and safety threat.

## Preparation for Periods of Non-Use

### Maintenance after Extended Non-Use

1. Remove any obstacles blocking the vents of both the indoor and outdoor units.
2. Turn on the main power switch at least 12 hours prior to operating the unit.

### Storing the Unit While Not in Use

1. Run the appliance on **FAN** mode for 12 hours in a warm room to dry it and prevent mold.
2. Turn off the appliance.



# 4. Troubleshooting

## ! CAUTIONS

**If one of the following conditions occurs**, switch off the power supply immediately and contact an authorised technician for further assistance.

- The operation light continues to flash rapidly after the unit has been restarted.
- The wired control buttons do not work.
- The unit continually trips fuses or circuit breakers.
- A foreign object or water enters the air conditioner.
- Other malfunctions.

## Common Problems

The following symptoms are not a malfunction and in most situations will not require repairs.

Issue	Possible Causes
Unit does not turn on when pressing ON/OFF button	The unit has a 3-minute protection feature that prevents the unit from overloading. The unit cannot be restarted within three minutes of being turned off.
	Cooling and Heating Models: If the Operation light and PRE-DEF (Pre-heating/Defrost) indicators are lit up, the outdoor temperature is too cold and the unit's defrost cycle is activated in order to defrost the unit.
The unit changes from COOL mode to FAN mode	The unit changes its setting to prevent frost from forming on the unit. Once the temperature increases, the unit will start operating again.
	The set temperature has been reached, at which point the unit turns off the compressor. The unit will resume operating when the temperature fluctuates again.
The indoor unit emits white mist	In humid regions, a large temperature difference between the room's air and the conditioned air can cause white mist.
Both the indoor and outdoor units emit white mist	When the unit restarts in HEAT mode after defrosting, white mist may be emitted due to moisture generated from the defrosting process.
The indoor unit makes noises	A squeaking sound is heard when the system is OFF or in COOL mode. The noise is also heard when the drain pump is in operation.
	A squeaking sound may occur after running the unit in HEAT mode due to expansion and contraction of the unit's plastic parts.

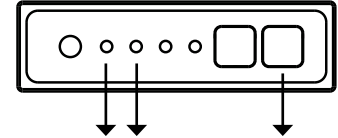
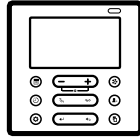
Issue	Possible Causes
Both the indoor unit and outdoor unit make noises	A low hissing sound may occur during operation. This is normal and is caused by refrigerant gas flowing through both the indoor and outdoor units.
	A low hissing sound may be heard when the system starts, has just stopped running or is defrosting. This noise is normal and is caused by the refrigerant gas stopping or changing direction.
The outdoor unit makes noises	The unit will make different sounds based on its current operating mode.
Dust is emitted from either the indoor or outdoor unit	The unit may accumulate dust during extended periods of non-use, which will be emitted when the unit is turned on. This can be mitigated by covering the unit during long periods of inactivity.
The unit emits a bad odor	The unit may absorb odors from the environment (such as furniture, cooking, cigarettes, etc.) which will be emitted during operations.
	The filters have become moldy and should be cleaned.
The fan of the outdoor unit does not operate	During operation, the fan speed is controlled to optimize product operation.

## Troubleshooting Tips

When troubles occur, please check the following points before contacting a repair company.

Problem	Possible Causes	Solution
The unit is not working	Power failure.	Wait for the power to be restored.
	The power switch is off.	Turn on the power.
	The fuse is burned out.	Replace the fuse.
	The unit's 3-minute protection has been activated.	Wait three minutes after restarting the unit.
Poor cooling performance	Temperature setting may be higher than the ambient room temperature.	Lower the temperature setting.
	The heat exchanger on the indoor or outdoor unit is dirty.	Clean the affected heat exchanger.
	The air inlet or outlet of either unit is blocked.	Turn the unit off, remove the obstruction and turn it back on.
	Doors and windows are open.	Make sure that all doors and windows are closed while operating the unit.
	Excessive heat is generated by sunlight.	Close windows and curtains during periods of high heat or bright sunshine.
	Low refrigerant due to leak.	Call service agent.
The unit starts and stops frequently	There's too much or too little refrigerant in the system.	Call service agent.
	The compressor is broken.	Replace the compressor.
Poor heating performance	The outdoor temperature is lower than 7°C.	Check for leaks and recharge the system with refrigerant.
	Cold air is entering through doors and windows.	Make sure that all doors and windows are closed during use.
	Low refrigerant due to leak.	Call service agent.

## Error Codes



Number	Cause	The number of flashes per second	Timer indicator	Error Code
1	Indoor EEPROM (Electrically Erasable Programmable Read-Only Memory) error	1	Off	E0
2	Indoor and outdoor unit communication malfunction	2	Off	E1
3	Indoor fan speed malfunction	4	Off	E3
4	Indoor room temperature sensor error	5	Off	E4
5	Evaporator coil temperature sensor error	6	Off	E5
6	Refrigerant leak malfunction	7	Off	EC
7	Water level alarm malfunction	8	Off	EE
8	Dual indoor unit (twins model only) communication malfunction	9	Off	E8
9	Other twins model malfunction	10	Off	E9
10	Outdoor malfunction or protection*	11	Off	Ed
11	Overload protection	1	On	F0
12	Outdoor temperature sensor error	2	On	F1
13	Outdoor condenser pipe sensor error	3	On	F2
14	Discharge air temperature sensor error	4	On	F3
15	Outdoor EEPROM (Electrically Erasable Programmable Read-Only Memory) error	5	On	F4
16	Outdoor fan speed (DC fan motor only) malfunction	6	On	F5
17	T2b sensor error*	7	On	F6
18	Inverter module IPM protection	1	Flash	P0
19	High/Low voltage protection	2	Flash	P1
20	Compressor top overheating protection	3	Flash	P2
21	Outdoor temperature too low protection	4	Flash	P3
22	Compressor drive error	5	Flash	P4
23	Mode conflict	6	Flash	P5
24	Compressor low-pressure protection	7	Flash	P6
25	Outdoor IGBT sensor error*	8	Flash	P7
26	Indoor unit communication malfunction	11	On	FA

\* This symbol means the display code is not applicable to all the units.

## 5. Disposal Guidelines

This appliance contains refrigerant and other potentially hazardous materials. When disposing of this appliance, the law may require special collection and treatment.

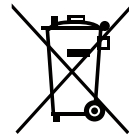
**Do not** dispose of this product as household waste or unsorted municipal waste.

When disposing of this appliance, you have the following options:

- Dispose of the appliance at designated municipal electronic waste collection facility.
- Sell the appliance to certified scrap metal dealers.

### Note

Disposing of this appliance in the forest or other natural surroundings endangers your health and is bad for the environment. Hazardous substances may leak into the ground water and enter the food chain.



---

# Notes

# Notes

kaden°

[kadenair.com.au](http://kadenair.com.au)