

Mizu Stream Wall Basin Mixer Set

INSTALLATION INSTRUCTIONS

Note:

Mixer must be installed to the requirements of AS/NZS 3500 by a qualified plumber.

Important:

Your mixer comes to you already factory assembled and tested. We do not recommend the dismantling of any internal part of the mixer. The mixers are factory tested and sealed so as to give the best performance.

Installation Procedure:

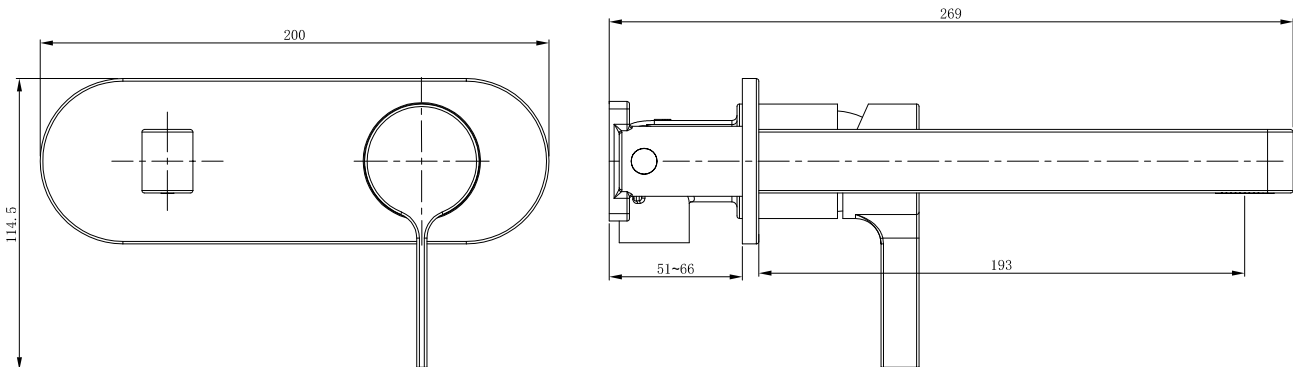
1. Please flush out new pipe work prior to connecting the new mixer.
2. This mixer is suitable for high pressure where both hot and cold water supply is at 150kPa or above.
3. During installation protect the exposed finish surface by using the plastic cover provided. Please pay attention to the minimum/maximum depth. Allow for finished wall thickness.
4. In a typical installation, the mixer is mounted on the timber/metal noggin and secured with screws (not provided).
5. NOTE: Ensure mixer body is level.
6. Mixer must be installed with water outlet on the left. Connect the mixer to hot and cold water supply as per markings on mixer body.
7. Pressure test all connections. Leaking joints are not covered by the warranty.
8. When the wall is finished, remove the plastic cover and fit dress plate, handle and outlet by securing grub screw.

Servicing - Replacement of Cartridge

1. Remove cap and unscrew grub screw using allen key.
2. Lift off handle and remove cartridge dome, unscrew brass locking nut and lift out cartridge.
3. Replace cartridge, replace brass locking nut and replace handle. Tighten grub screw and push in indicator cap.

Servicing - Flow Regulator (If flow rate drops)

1. Remove spout by unscrewing grub screws, remove push-in connector.
2. Remove flow regulator (9) and flush with water or replace.



Dimensions are nominal measurements only.

Please ensure a copy of the installation instructions is left with the end user for future reference.

Published 13/08/2020

Mizu Stream Wall Basin Mixer Set

COMPONENT LISTING: ONE PIECE

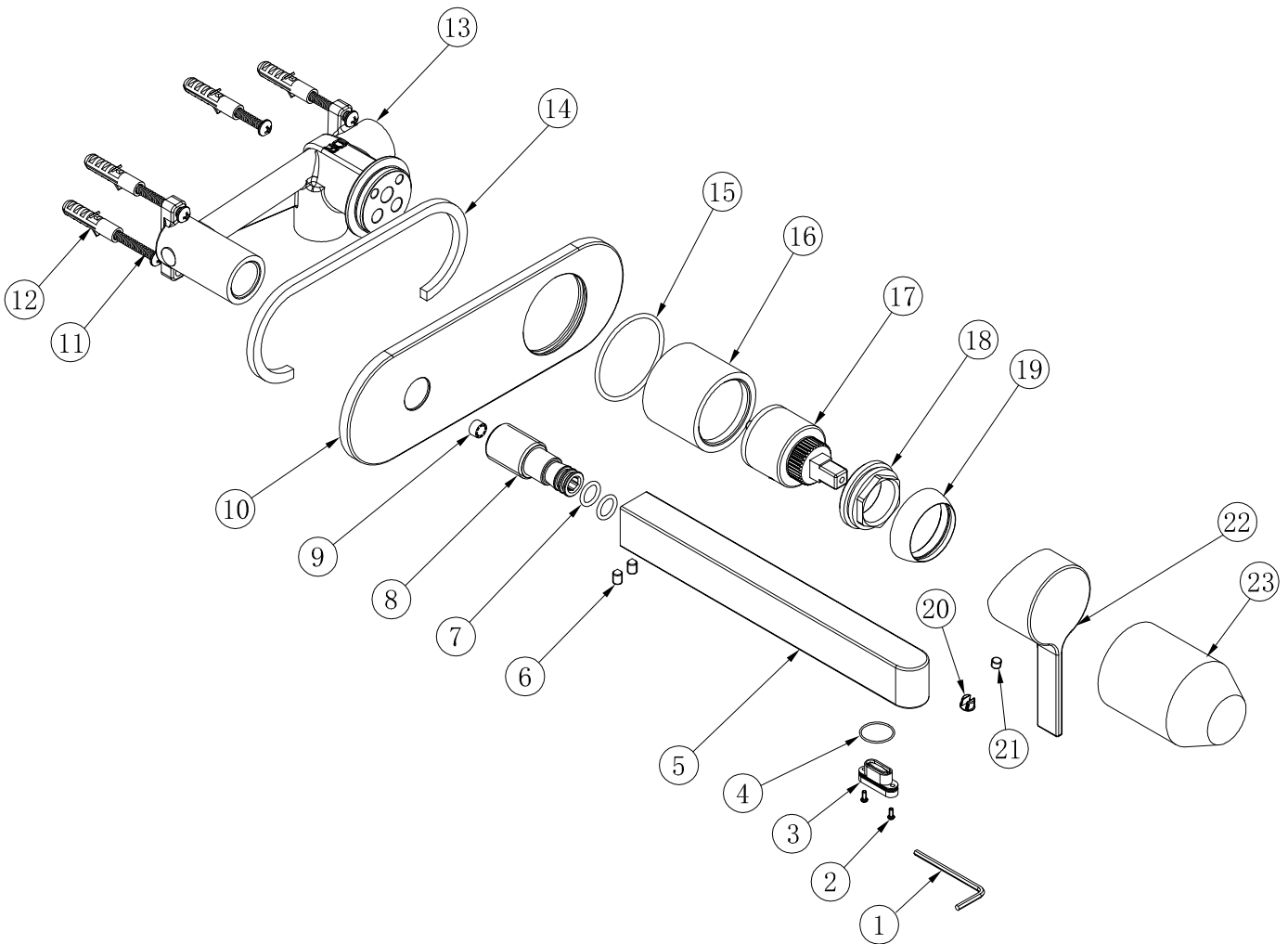


DIAGRAM NUMBER	DESCRIPTION	COMPONENT CODE	DIAGRAM NUMBER	DESCRIPTION	COMPONENT CODE
1	Spanner	202060041601	13	Body	201633100111-DR
2	Set Screw	205011831601	14	Foam-Rubber Cushion	207011131771
3	Aerator	203020140701	15	O-Ring D44.5*D2.3 (NBR)	208000640601
4	O-Ring	201704240101	16	Cartridge Cover	206090700126
5	Spout	203129220126	17	Cartridge	204010679901
6	Set Screw	205010851601	18	Bonnet	205020030102
7	O-Ring D10*D2 (NBR)	208000250601	19	Cap	205050400126
8	Push-in Connector	205073320126	20	Plug	202030020799
9	NEOPERL Flow Controller	203101259901	21	Set Screw	205010641601
10	Panel	206025450126	22	Handle	202019620226
11	Self Tapping Screw	205011321601	23	Safety Cover	206020850701
12	Expansion Screw	207040480701			

Dimensions are nominal measurements only.

Please ensure a copy of the installation instructions is left with the end user for future reference.

Published 13/08/2020

Mizu Stream Wall Basin Mixer Set

INSTALLATION INSTRUCTIONS

Note:

Mixer must be installed to the requirements of AS/NZS 3500 by a qualified plumber.

Important:

Your mixer comes to you already factory assembled and tested. We do not recommend the dismantling of any internal part of the mixer. The mixers are factory tested and sealed so as to give the best performance.

Installation Procedure:

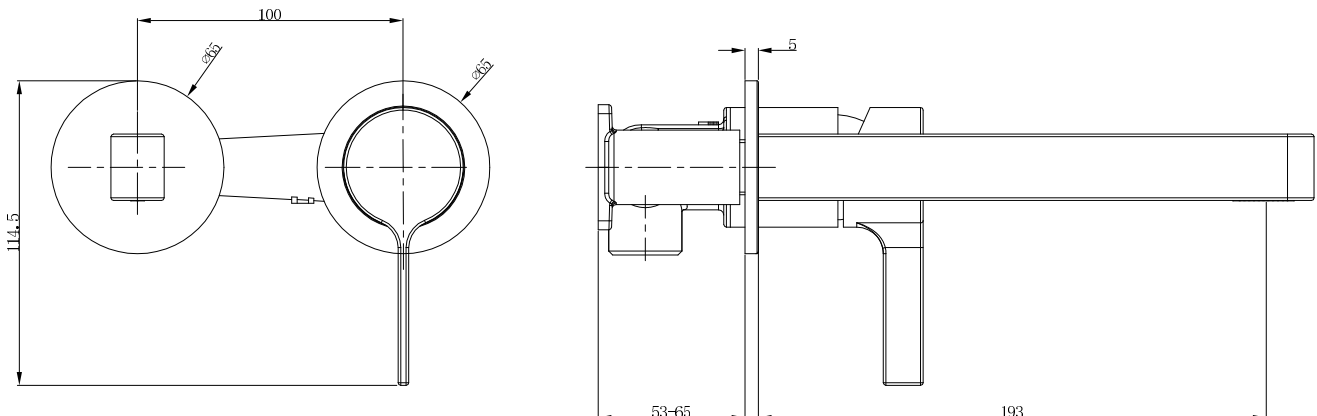
1. Please flush out new pipe work prior to connecting the new mixer.
2. This mixer is suitable for high pressure where both hot and cold water supply is at 150kPa or above.
3. During installation protect the exposed finish surface by using the plastic cover provided. Please pay attention to the minimum/maximum depth. Allow for finished wall thickness.
4. In a typical installation, the mixer is mounted on the timber/metal noggin and secured with screws (not provided).
5. NOTE: Ensure mixer body is level.
6. Mixer must be installed with water outlet on the left. Connect the mixer to hot and cold water supply as per markings on mixer body.
7. Pressure test all connections. Leaking joints are not covered by the warranty.
8. When the wall is finished, remove the plastic cover and fit dress plate, handle and outlet by securing grub screw.

Servicing - Replacement of Cartridge

1. Remove cap and unscrew grub screw using allen key.
2. Lift off handle and remove cartridge dome, unscrew brass locking nut and lift out cartridge.
3. Replace cartridge, replace brass locking nut and replace handle. Tighten grub screw and push in indicator cap.

Servicing - Flow Regulator (If flow rate drops)

1. Remove spout by unscrewing grub screws, remove push-in connector.
2. Remove flow regulator (9) and flush with water or replace.



Dimensions are nominal measurements only.

Please ensure a copy of the installation instructions is left with the end user for future reference.

Published 13/08/2020

Mizu Stream Wall Basin Mixer Set

COMPONENT LISTING: TWO PIECE

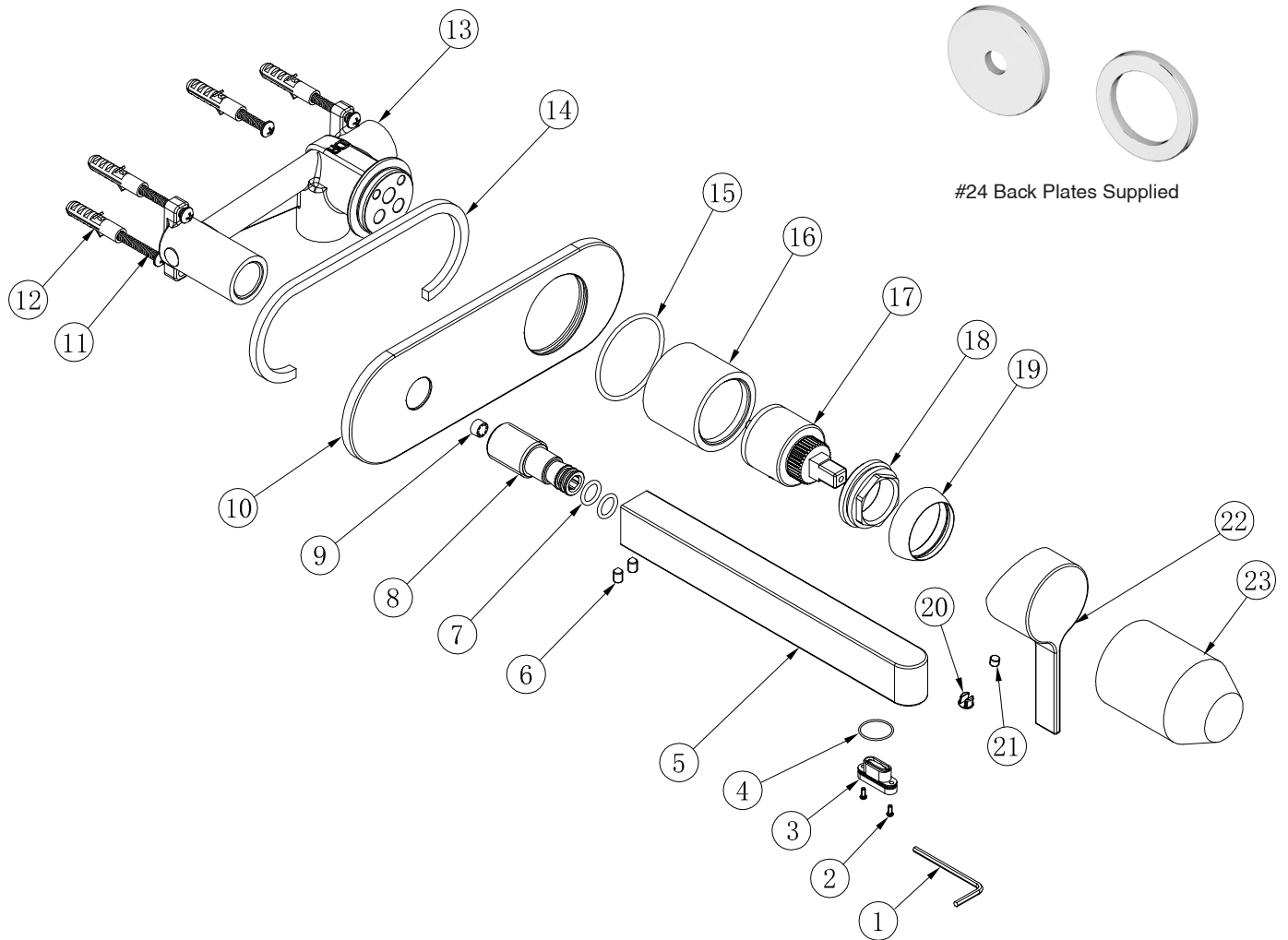


DIAGRAM NUMBER	DESCRIPTION	COMPONENT CODE	DIAGRAM NUMBER	DESCRIPTION	COMPONENT CODE
1	Spanner	202060041601	13	Body	201633100111-DR
2	Set Screw	205011831601	14	Foam-Rubber Cushion	207011131771
3	Aerator	203020140701	15	O-Ring D44.5*D2.3 (NBR)	208000640601
4	O-Ring	201704240101	16	Cartridge Cover	206090700126
5	Spout	203129220126	17	Cartridge	204010679901
6	Set Screw	205010851601	18	Bonnet	205020030102
7	O-Ring D10*D2 (NBR)	208000250601	19	Cap	205050400126
8	Push-in Connector	205073320126	20	Plug	202030020799
9	NEOPERL Flow Controller	203101259901	21	Set Screw	205010641601
10	Panel	206025450126	22	Handle	202019620226
11	Self Tapping Screw	205011321601	23	Safety Cover	206020850701
12	Expansion Screw	207040480701	24	2 - Piece Cover Plate Chrome 2 - Piece Cover Plate Black	206208589926 206208589979

Dimensions are nominal measurements only.

Please ensure a copy of the installation instructions is left with the end user for future reference.

Published 13/08/2020