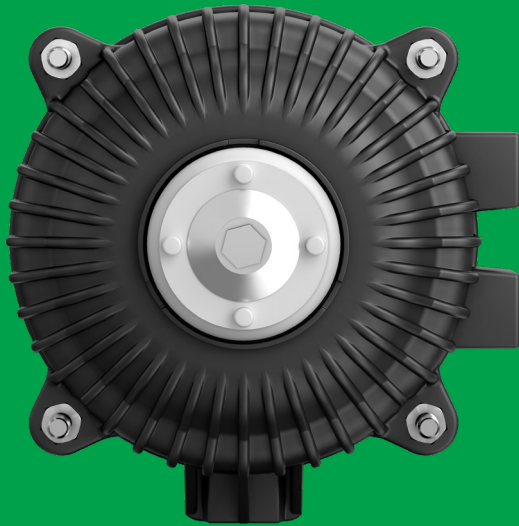


# iQC & NiQ – energy saving motors *a new look to efficiency.*



**ebmpapst**

the engineer's choice

ebm-papst pioneered increasing efficiency in refrigeration systems with the release of its iQ series motor over 10 years ago. With proven application in harsh conditions all over the world in both new and replacement installations, the iQC and NiQ now improve on the tried and tested iQ series motors. The iQC and NiQ have enhanced the existing advantages by reducing environmental costs.

### Benefits *reliable and durable.*

Designed to achieve high performance in a wide range of tough environments, the iQC and NiQ are able to handle wet and dusty applications. The high efficiency of the motor means that less waste heat is generated, resulting in improved refrigeration performance and longer service life than typical shaded pole equivalents in cold side applications.

### Benefits *of upgrading.*

As with all ebm-papst motors in the iQ range, the iQC and NiQ are a direct one-to-one replacement for existing Q and shaded pole motors. With huge cost savings when compared to outdated AC technology and ease of replacement, the iQC and NiQ are the smart choice for retrofitting existing applications.

### Benefits *cost effective.*

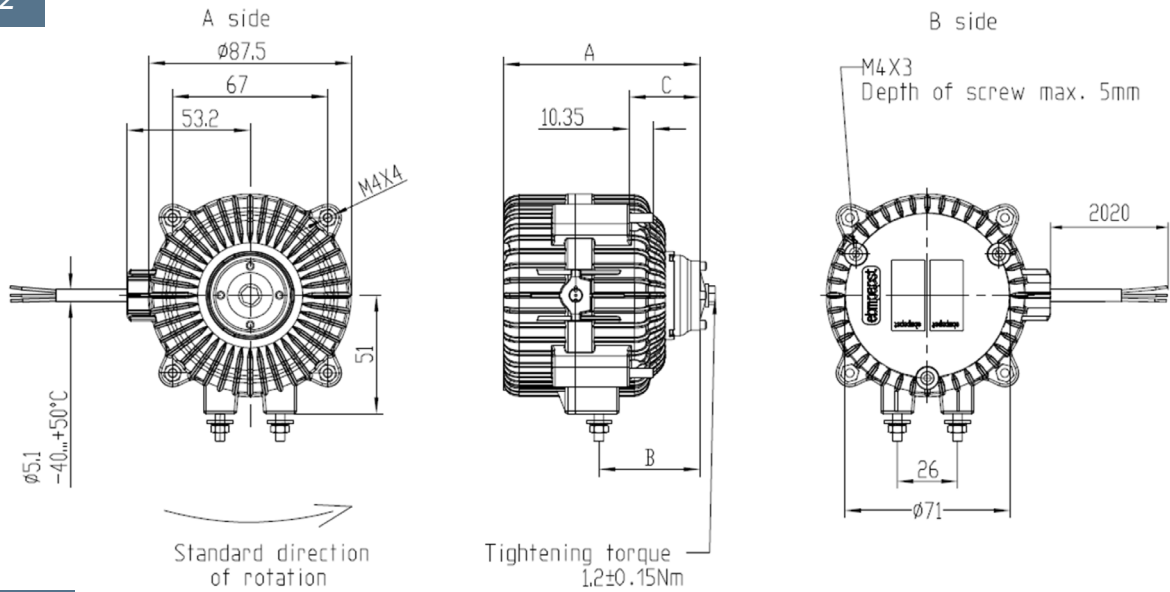
Higher operating efficiency means reduced power input, resulting in lower operating costs and longer life time. As both the iQC and NiQ motor replace a range of shaded pole motors, this means having the right product for the application on hand when you need it.

### Recommended *replacements.*

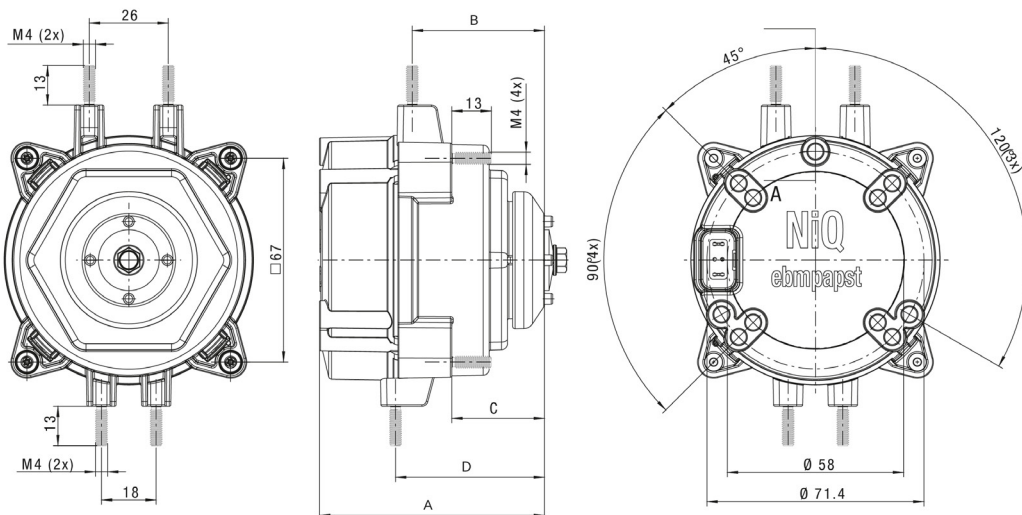
Type	Power Output	154mm			172mm			200mm			230mm			254mm			
		22°	28°	34°	22°	28°	34°	22°	28°	34°	22°	28°	34°	22°	28°	34°	
iQC 3612	≤15	X	X	X	X	X	X	X	X	X	X	X	X	X	X	X	
NiQ 3224	≤20										X	X	X	X	X	X	X

## Engineering drawing *iQC* & *NiQ*.

### *iQC* 3612



### *NiQ* 3224



## Technical data *iQC* & *NiQ*.

Type	Nominal Voltage	Frequency	Speed	Max. output power	Max. input power	Ambient temperature	Dimensions [mm]			
	V	Hz	rpm	W	W	°C	A	B	C	D
<b>iQC 3612</b>	220-240	50/60	1300/1550	13	23	-40 to +50	85	44.5	30.5	-
<b>NiQ 3224</b>	100-240	50/60	1300	20	30	-40 to +50	91.5	43.5	38.5	54

ebm-papst A&NZ Pty Ltd  
Victoria

10 Oxford Road  
Laverton North VIC 3026  
Phone +61 (03) 9360 6400

sales@ebmpapst.com.au

New South Wales

Unit 13, 19 Aero Road  
Ingleburn NSW 2565  
Phone +61 (02) 9827 6400

sales@ebmpapst.com.au

New Zealand

Unit H, 61 Hugo Johnston Drive  
Penrose Auckland 1061  
Phone +64 (9) 525 0245

all\_nzsales@au.ebmpapst.com

**ebmpapst**

the engineer's choice