



## Dura Brass Water Ball Valve F&F 15-50mm

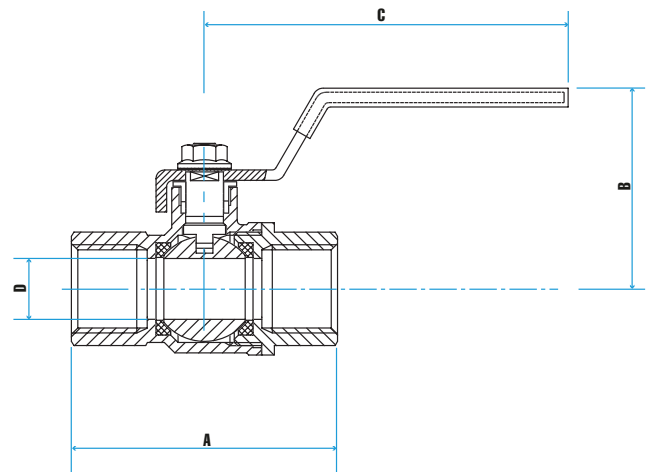
### SPECIFICATIONS

|                   |   |
|-------------------|---|
| Recommended use   | Suitable for in-line isolation in a pipeline. Must be operated in fully open or closed position.    |
| Features          | Quarter Turn Operation w/- Lever Handle<br>Full Bore<br>Chromed Plated Ball<br>PTFE Seats Both Ends |
| Working Pressure  | 2000 kPa at 90°C<br>1500 kPa at 100°C   |
| Temperature Range | -20°C to +100°C   |
| Warranty          | 12 Months   |
| Standards         | Female sealing threads to AS/ISO 7.1 series Rp  |
| Watermark         | WM-00683 to WMTS012   |



### COMPONENTS

|             |                        |
|-------------|------------------------|
| End Cap     | DR Brass               |
| Seal Ring   | PTFE                   |
| Body        | DR Brass               |
| Ball        | Chrome Plated DR Brass |
| Spindle     | DR Brass               |
| Packing     | PTFE                   |
| Packing Nut | Brass                  |
| Handle      | SS 304                 |
| Nut         | SS 304                 |



### DIMENSIONS

| Product Codes | Product Description                  | Size | A    | B    | C   | D  |
|---------------|--------------------------------------|------|------|------|-----|----|
|               |                                      | DN   | mm   | mm   | mm  | mm |
| 1004190       | Dura Brass Water Ball Valve F&F 15mm | 15   | 58.5 | 49.5 | 85  | 14 |
| 1004191       | Dura Brass Water Ball Valve F&F 20mm | 20   | 68   | 56   | 113 | 19 |
| 1004192       | Dura Brass Water Ball Valve F&F 25mm | 25   | 80   | 60   | 113 | 24 |
| 1004193       | Dura Brass Water Ball Valve F&F 32mm | 32   | 94.5 | 67   | 130 | 30 |
| 1004194       | Dura Brass Water Ball Valve F&F 40mm | 40   | 104  | 78   | 155 | 38 |
| 1004195       | Dura Brass Water Ball Valve F&F 50mm | 50   | 125  | 83   | 155 | 47 |

Dimensions are nominal measurements only.

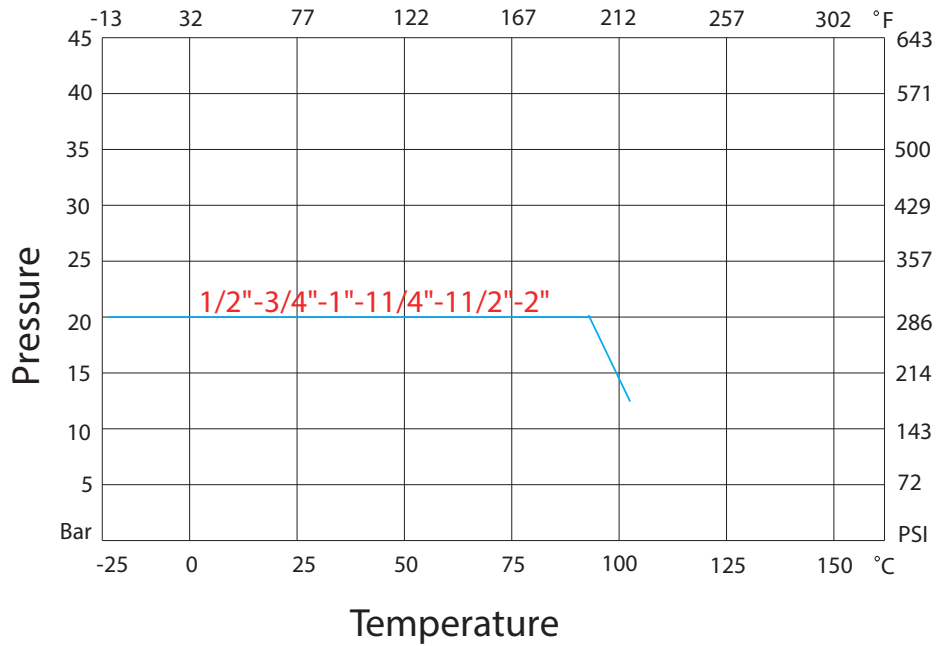
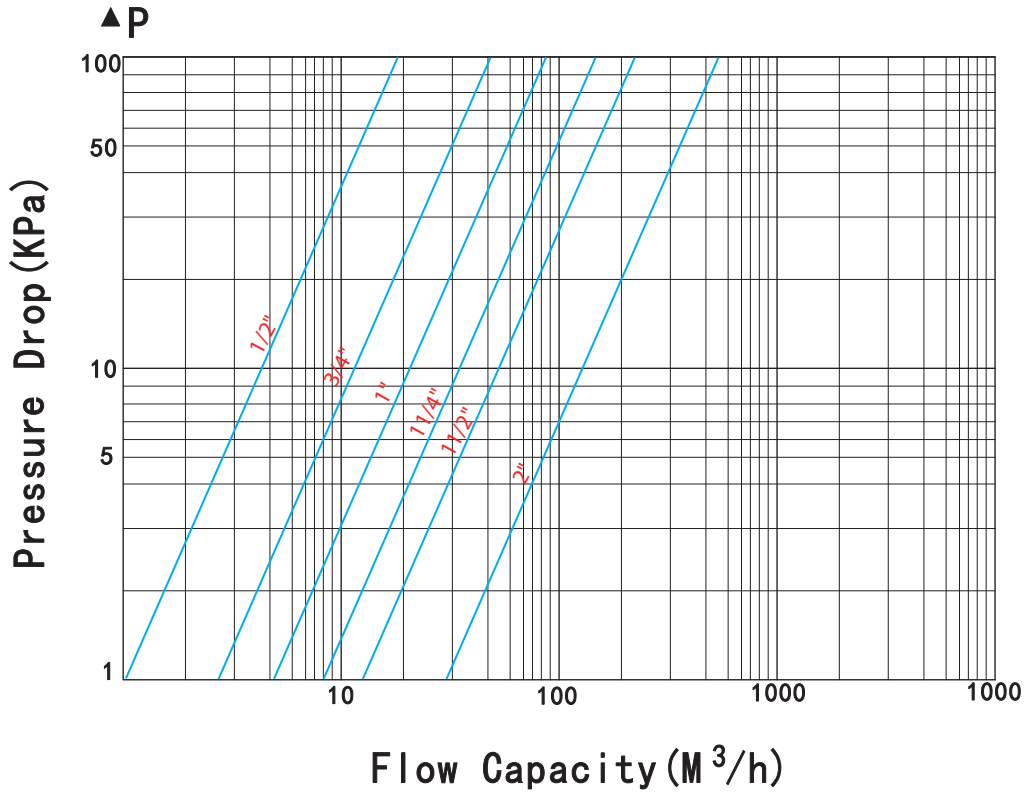
**Disclaimer:** Products in this specification manual must by regulation be installed by licensed and registered trade people. The manufacturer/distributor reserves the right to vary specifications or delete models from their range without prior notification. Dimensions are nominal measurements only. Dimensions and set-outs listed are correct at time of publication however the manufacturer/distributor takes no responsibility for printing errors.

Published 1/11/18





## Dura Brass Water Ball Valve F&F 15-50mm



Dimensions are nominal measurements only.

**Disclaimer:** Products in this specification manual must by regulation be installed by licensed and registered trade people. The manufacturer/distributor reserves the right to vary specifications or delete models from their range without prior notification. Dimensions are nominal measurements only. Dimensions and set-outs listed are correct at time of publication however the manufacturer/distributor takes no responsibility for printing errors.

Published 1/11/18

