

Z-6000

CONVERSION EXPOSED FLUSH VALVE

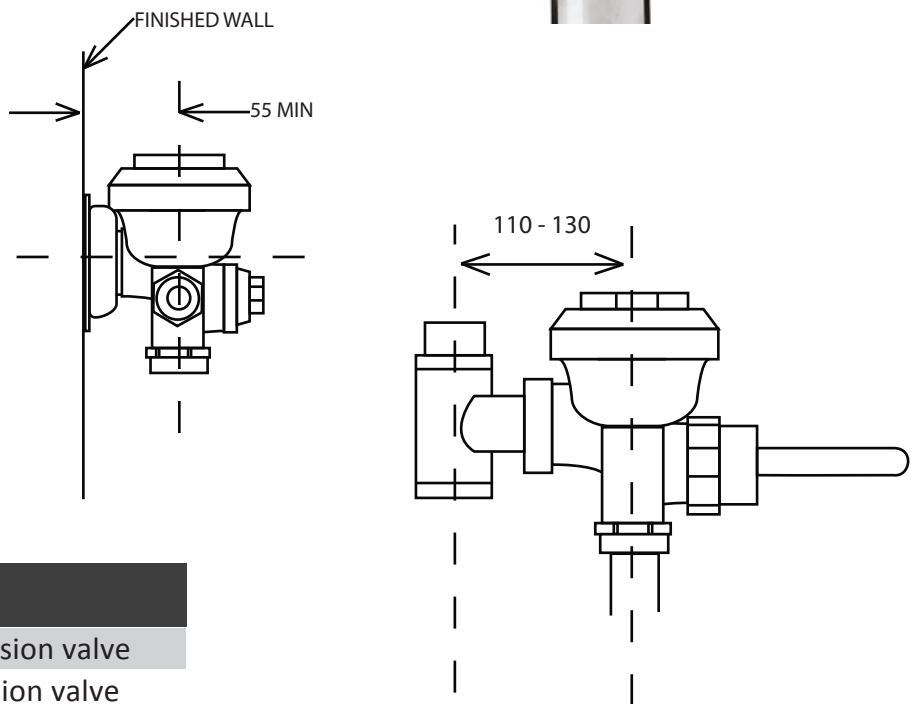
Dimensional Data (mm) are Subject to Manufacturing Tolerances and Change Without Notice

ENGINEERING SPECIFICATION

- Min water supply pressure - 40kPa
- Max water supply pressure - 300kPa
- Flush volume - adjustable
- Flow rate required - 1.5L per sec

STANDARDS COMPLIANCE

- WELS – 1 Star – 5.5L
- Watermarked Approved - WM-000307



OPTIONS

CODE	DESCRIPTION
Z-6000G	Zurn to Gloria conversion valve
Z-6000H	Zurn to Hush conversion valve
Z-6000U	Zurn to Unibra conversion valve
Z-6000P	Zurn to Pubco conversion valve
Z-6000Z	Zurn to Sloan conversion valve

OPTIONS

CODE	DESCRIPTION
FPCP-40	40x450x450mm chrome plated copper flush pipe
P6000-M-ADA-DF	Exposed dual flush
Z-6000LU	Low pressure 2.0L per sec