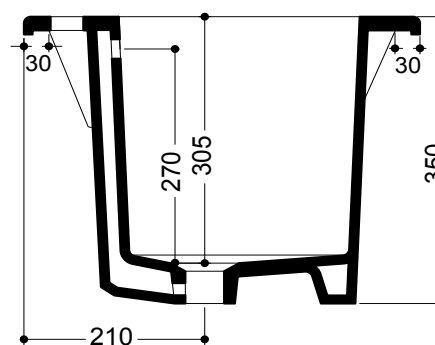
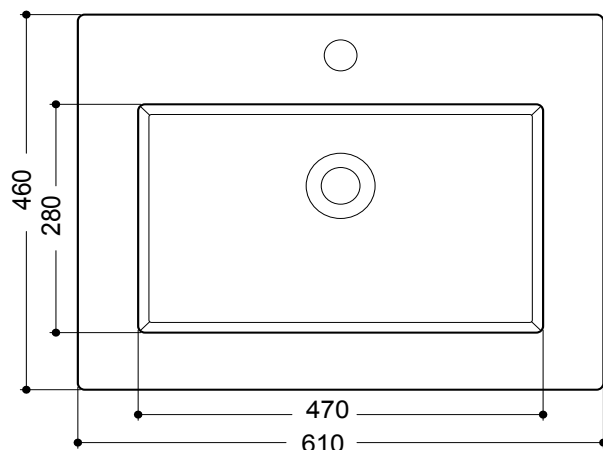


AXA

PRISMA TROUGH BASIN



SPECIFICATIONS

Recommended use	Domestic, hotel and commercial
Material	Ceramic
Colour	White
Integral overflow	Yes
Tap hole availability	1 taphole
Capacity	28 litres
Weight	18.5kg
Plug and waste	32 x 40mm overflow waste (not supplied)
Fixing	Drop in installation, as per template supplied



To see the complete Axa range go to www.reece.com.au/bathrooms

CLEANING RECOMMENDATIONS

We recommend the use of soapy water or approved bathroom cleaners. This bathroom product should not be cleaned with abrasive materials. Damage caused by any improper treatment is not covered by the product warranty - refer to Warranty Conditions.

Disclaimer: Products in this specification manual must by regulation be installed by licensed and registered trade people. The manufacturer/distributor reserves the right to vary specifications or delete models from their range without prior notification. Dimensions are nominal measurements only. Dimensions and set-outs listed are correct at time of publication however the manufacturer/distributor takes no responsibility for printing errors.

Tech Page Version 1

AXA

AXA

PRISMA TROUGH BASIN

INSTALLATION INSTRUCTIONS

1. Position the supplied cut out template onto the benchtop as desired and mark around.
2. Cut hole into benchtop according to the template size.
3. Fit selected tapware and waste to basin.
4. Apply waterproof sealant (not supplied) to the rim of the basin and to the benchtop.
5. Drop basin into hole in benchtop and press firmly all around to achieve good seal.
6. Remove surplus sealant.