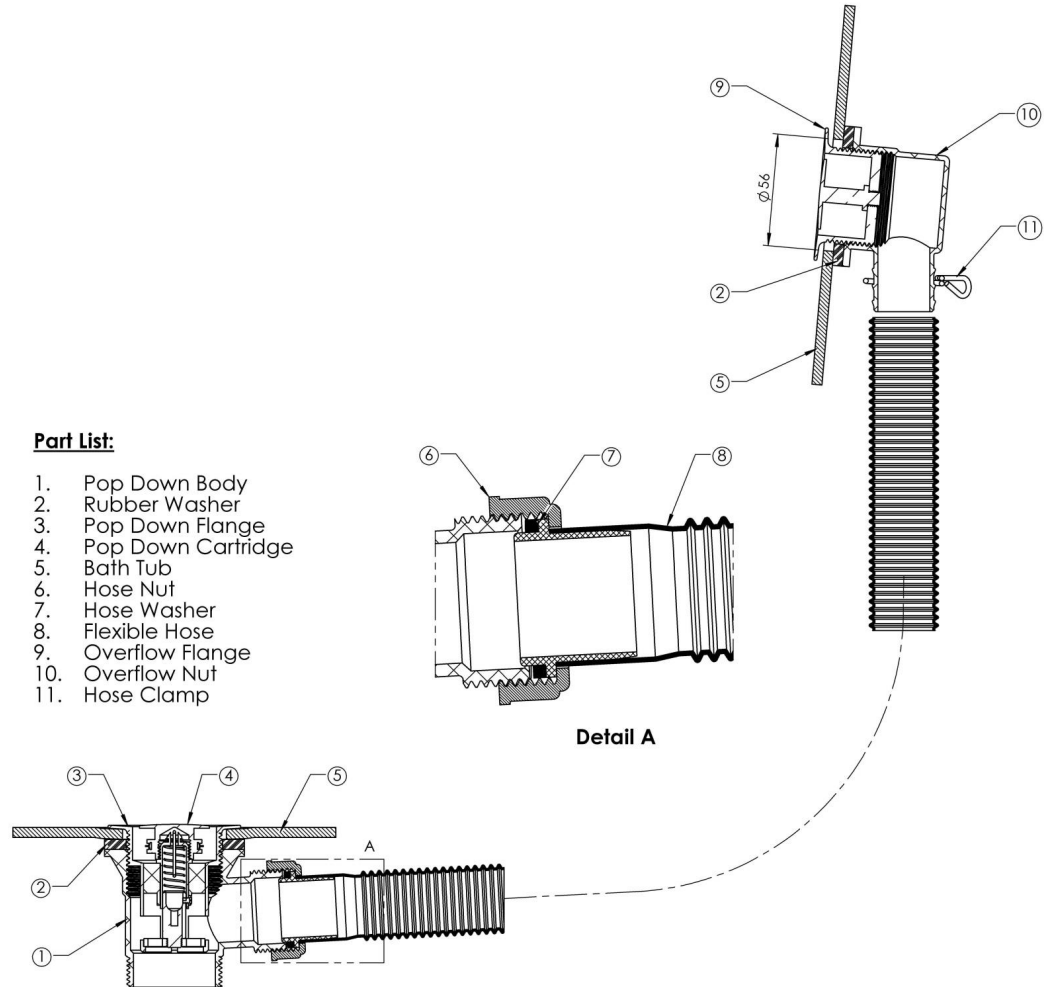


BATH POP DOWN[®] WITH EXTERNAL OVERFLOW 40mm

INSTALLATION INSTRUCTIONS

- A. Choose position for Overflow (9) ensuring location is on a flat surface of the bath.
- B. Using an appropriate holesaw, create an opening for the Overflow Flange (9) to a preferred diameter of 56mm.
- C. Apply a suitable non acidic sealant to the underside of the Overflow Flange (9) and insert into the hole.
- D. Attach Overflow Nut (10) and tighten, ensuring the spigot is in a vertical position facing down.
- E. Wipe away any excess sealant.
- F. Determine correct length for Flexible Hose (8) and cut to length (cut from plain end of hose).
- G. Slip the Hose Clamp (11) over the plain end of the Flexible Hose (8).
- H. Lubricate the spigot of the Overflow Body (10) using soap or dishwashing detergent to allow the hose to slide onto the spigot and the secure with Hose Clamp (11).
- I. Fit the Pop Down waste to the bath outlet hole.
- J. Apply a suitable non acidic sealant to the underside of the Pop Down Flange (3) and insert into the bath outlet hole.
- K. Position Rubber Washer (2) over Flange thread on underside of bath and tighten Pop Down Body (1), ensuring the overflow connection is directed towards the location of the Overflow.
- L. Connect Flexible Hose (8) to Pop Down Body using Rubber Washer (2) and tighten Hose Nut (6).
- M. Insert Pop Down Cartridge (4).
- N. Check all connections are watertight.



Part List:

1. Pop Down Body
2. Rubber Washer
3. Pop Down Flange
4. Pop Down Cartridge
5. Bath Tub
6. Hose Nut
7. Hose Washer
8. Flexible Hose
9. Overflow Flange
10. Overflow Nut
11. Hose Clamp

NOTE

- The installation of this product must be carried out strictly in accordance with the manufacturers / suppliers instructions.
- The Contractor should ensure the dimension specified correspond to the ID Drawing/s.
- Installation of this product must be carried out by, or under the supervision of, a Licenced Plumber.