

# SATINJET ESCAPE MKII HAND SHOWER INSTALLATION GUIDE

## TECHNICAL SPECIFICATIONS

### Operating Pressure:

Min 150kPa, Max 500kPa.

Recommended installation of a pressure limiting valve if supply exceeds 500kPa

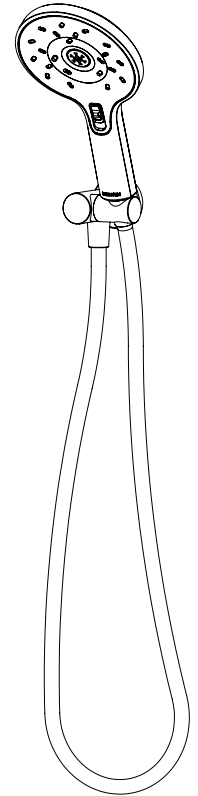
### Operating Temperature:

Recommended hot water supply 50°C, maximum 70°C. AS 3500 requires all hot water supplies to any sanitary fitting to be tempered to 50°C.

Inlet connections: All 1/2" BSP

### Notes:

- After installation all connections must be checked for leaks.
- All installations must be carried out in compliance with relevant water regulations.



## Important Installation Considerations

1. NOTE: Some showers may not provide an effective shower when used with gravity fed heated water systems or where pressures are less than 150kPa at the outlet. Additionally showers with flow rates of less than 9L/min may not allow the following to function correctly:

- \_ some instantaneous water heaters
- \_ some tempering valves
- \_ some thermostatic mixing valves

2. Some shower heads only operate correctly when hot and cold water supplies are both mains pressure and may not be suitable for some instantaneous hot water services.

3. When water pressure is in excess of 500kPa a pressure limiting device is required in accordance with AS/NZS 3500 1.12 recommendation.

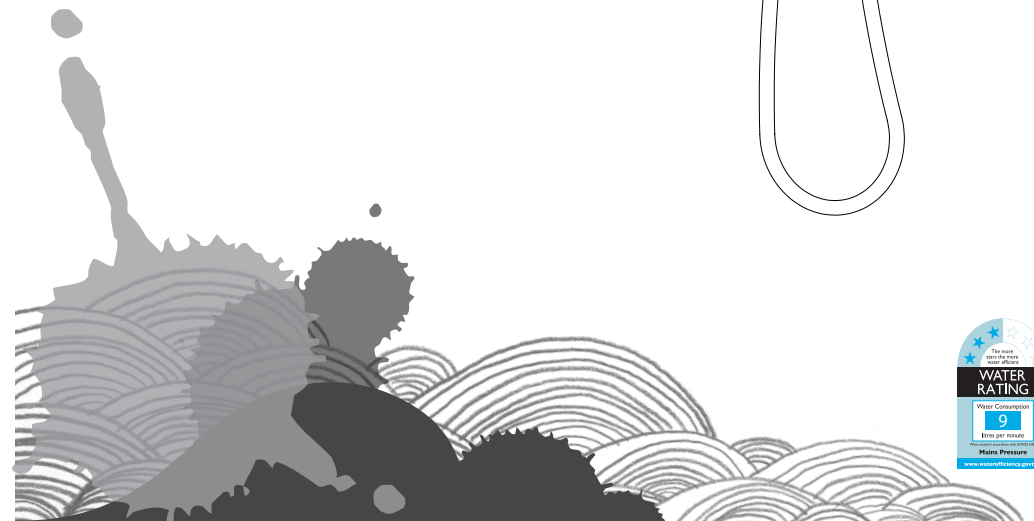
4. Domestic and commercial warranty terms & conditions vary.

For full warranty terms and conditions refer to [www.methven.com](http://www.methven.com)

Methven warrants this product against manufacturing defects and that it is suitable for use under the operating conditions specified in this instruction sheet.

For your warranty please refer to [www.methven.com/au](http://www.methven.com/au) or call Customer Service 1300 METHVEN

Australia  
1300 638 483

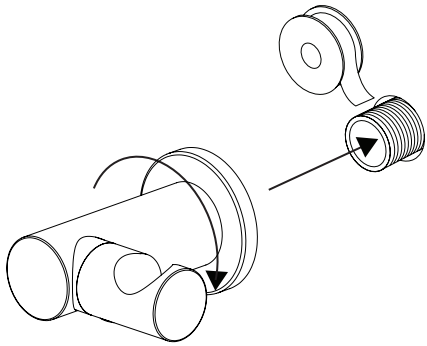


ESCAPE 

METHVEN

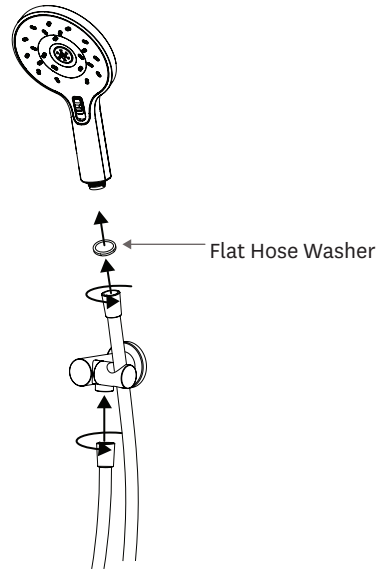


1.



Apply plumbing tape to pipe. Screw wall outlet bracket onto 1/2" nipple pipe ensuring it ends up in the correct position

2.



Insert the flat hose washer into the new hose before screwing into the handset

## CLEANING

Water contains lime which remains on the surface after the water has evaporated. These lime deposits can be prevented from forming by wiping immediately after use.

To clean the chrome-plated surface use a soft cloth, soap and warm water. Never use cleaning agents that contain a corrosive acid or a scouring additive.



Do not use any sharp objects to clean nozzles

