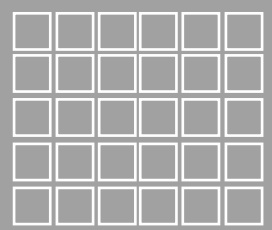
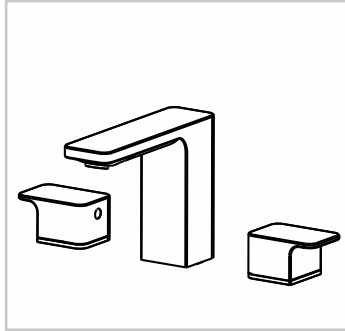


To ensure that your installation proceeds smoothly, please read this instructions carefully before you begin.

American Standard

CYGNET

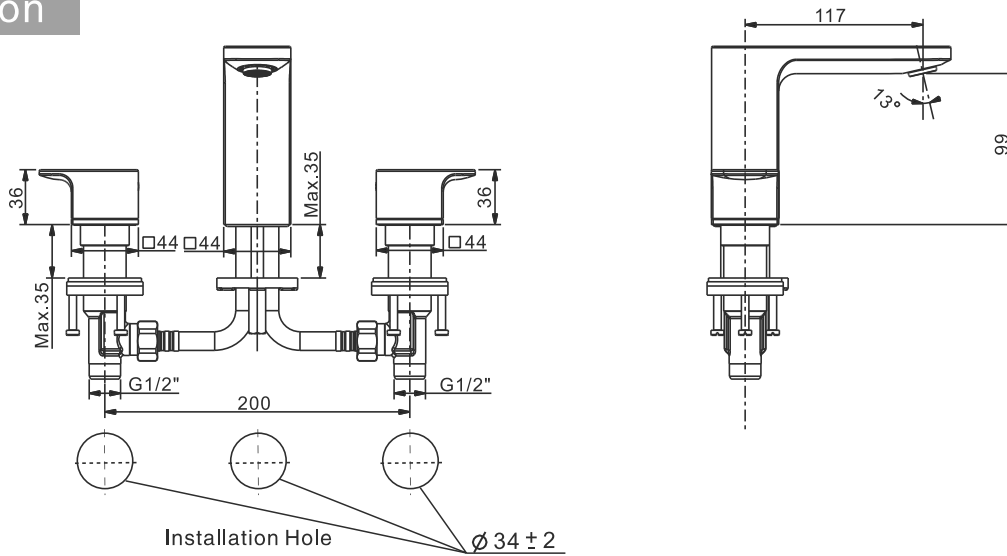
FFAS1303-102500ZNO
CYGNET BASIN SET CHROME (4*)



Installation & Operation Instruction

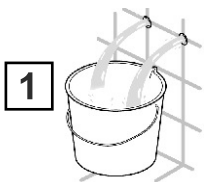
Dimension

Unit: mm

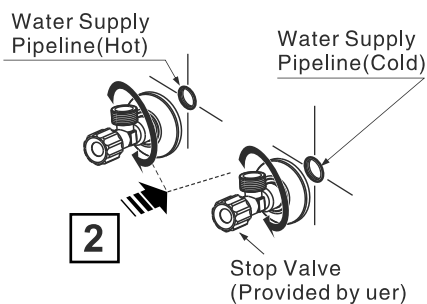


Installation

1 Preparation

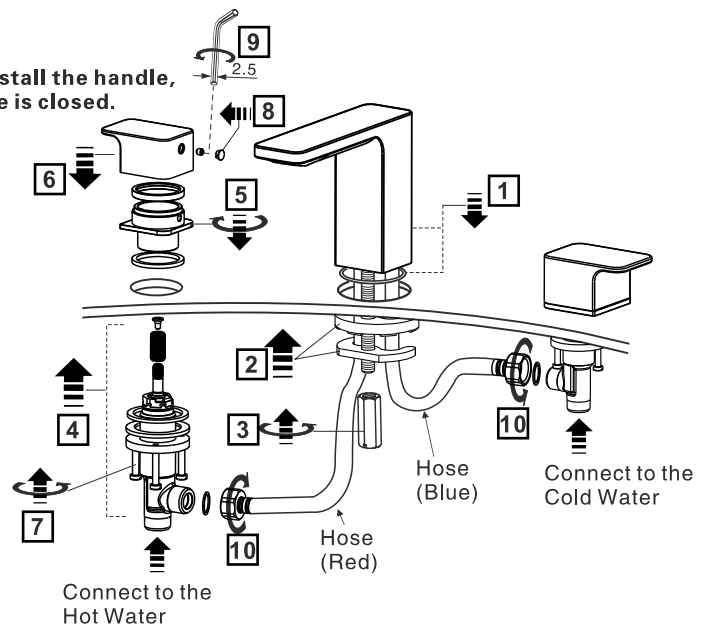


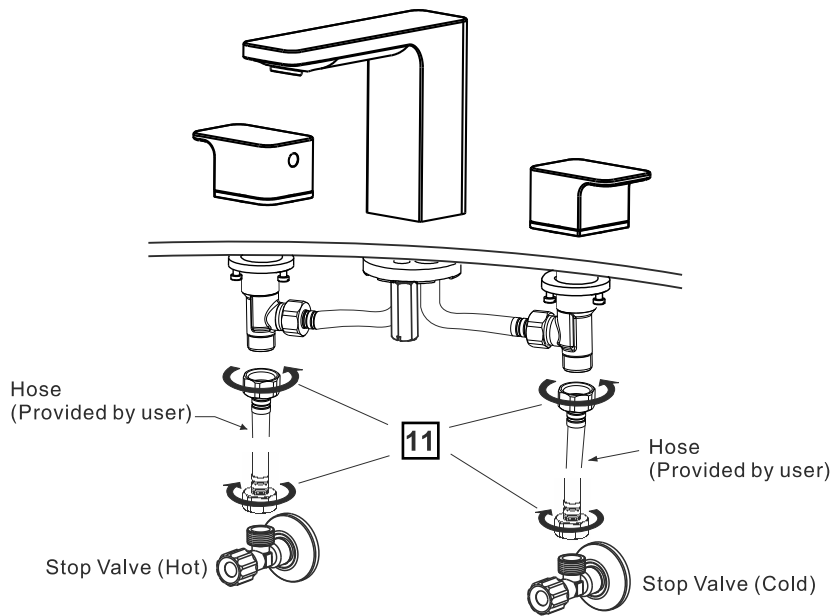
- * Consult the dimension drawing and lay the pipes.
- * Wash and clean the water supply pipeline.



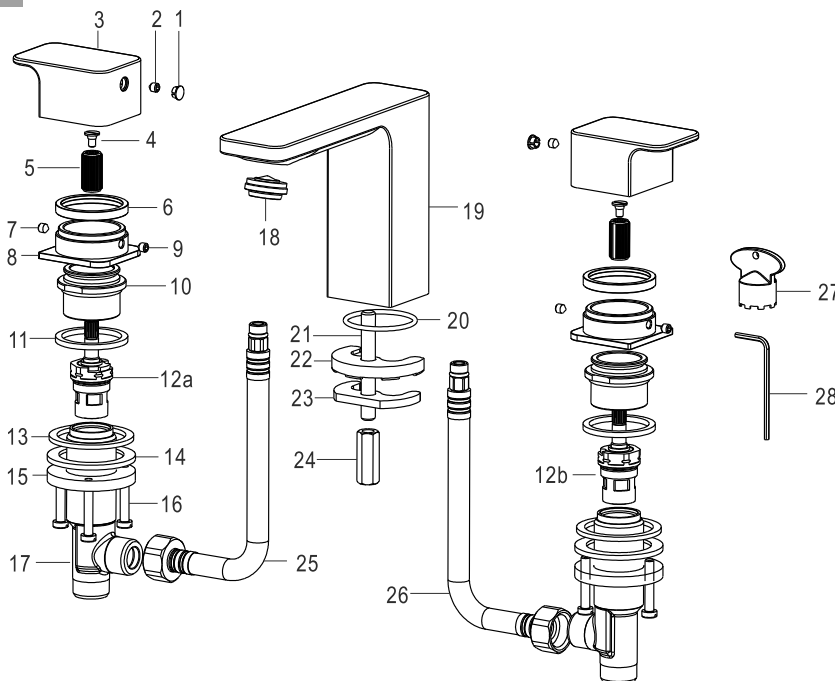
2 Faucet Installation

When you install the handle, the Cartridge is closed.





Parts List



No.	Part Name	Q'ty
1	Index Button	2
2	Screw	2
3	Handle	2
4	Screw	2
5	Bushing	2
6	Washer	2
7	Screw	2
8	Seat	2
9	Screw	2
10	Copper Bush	2
11	Washer	2
12a	Cartridge(hot)	1
12b	Cartridge(cold)	1
13	Washer	2
14	Washer	2
15	Nut	2
16	Screw	6
17	Body	1
18	Aerator	1
19	Spout	1
20	O-Ring	1
21	Screw Bolt	1
22	Washer	1
23	Washer	1
24	Nut	1
25	Hose(Red)	1
26	Hose(Blue)	1
27	Aerator Wrench	1
28	In-hex Wrench	1

Notice

- * Remove all impurity in pipes before beginning to avoid clogging. Connect faucet pipes correctly.
- * Check installation distances in the Dimension diagram to ensure correct installation.
- * When in the process of installation, Please grab the body. Do not grab handle only.

Conditions for use

- * Recommended water pressure condition: 0.1~0.5Mpa.
- * Environment Temperature: 1~55°C
- * Water temperature: 4 ~ 90°C, Recommended hot water temperature 55°C ~ 65°C
- * Steam is not allowed to use.
- * The cold and hot water pipes must not be reserved.

AUS

Reece Australia Pty Ltd
118 Burwood Hwy
Burwood VIC 3125

Tel.: 1800 080 055

Email: customercare@reece.com.au



NZ

Robertson
25 Vestey Drive
Mt Wellington, Auckland

Tel.: +64 9 5730490

Email: sales@robertson.co.nz