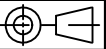
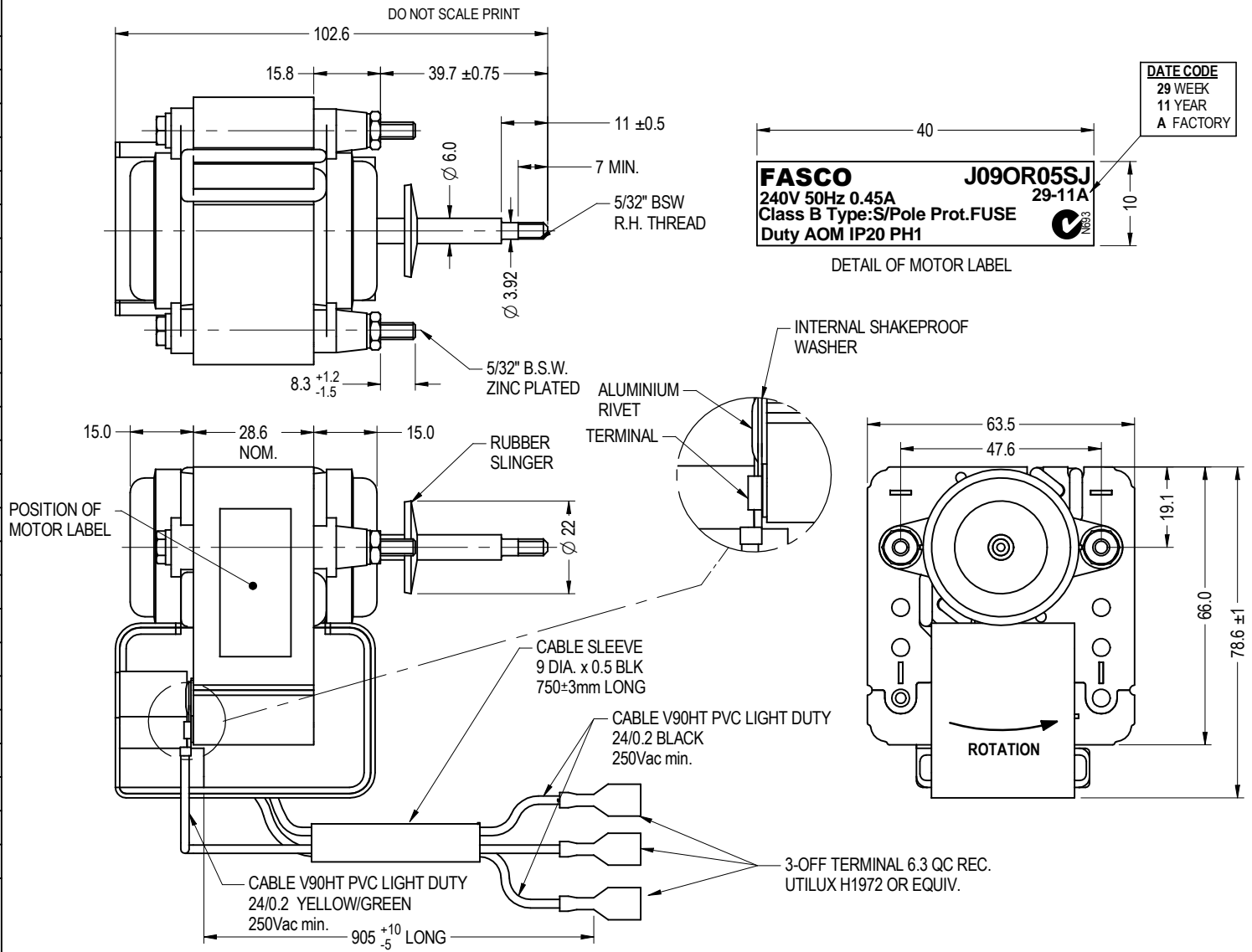


NOTE : FASCO AUSTRALIA IS HAPPY TO PROVIDE TECHNICAL ASSISTANCE TO OUR CUSTOMERS IN MANY AREAS. HOWEVER, SINCE FASCO AUSTRALIA IS NOT AWARE OF ALL DATA CONCERNING THE USE AND APPLICATION OF THIS MOTOR, THE SUITABILITY OF THE MOTOR FOR THE APPLICATION MUST BE DETERMINED BY AND IS THE RESPONSIBILITY OF THE CUSTOMER.



MOTOR SPECIFICATION

| | | | | |
|-----------------------------|---------------------|--------------|---------------|-------|
| CUSTOMER | ----- | | | |
| CUSTOMER P/N | ----- | | | |
| QR No. | ----- | CAPACITOR | uf / V | |
| POWER OUTPUT | 12.2W | START | ----- | |
| MOTOR TYPE | S/POLE | RUN | ----- | |
| SUPPLY | VOLTS | HERTZ | PHASE | POLES |
| | 240 | 50 | 1 | 2 |
| ENCLOSURE | CLIP ON BOBBIN | | | |
| SPEED (RPM) AT RATED OUTPUT | 2600±100 | WINDING TYPE | SINGLE/SP | |
| ROTATION | ANTI-CLOCKWISE | | | |
| INSULATION CLASS | B | DUTY | AOM | |
| THERMAL PROTECTION | THERMAL FUSE | | | |
| RATED CURRENT | 0.45A | | | |
| APPLICATION | REFRIGERATION MOTOR | | | |
| MOUNTING | SCREWS | | | |
| BEARING & LUBRICATION | 626 VVMC3E MARUTEMP | | | |
| SUPPLY LEAD | COLOUR | AS SHOWN | | |
| | LENGTH | AS SHOWN | | |
| | TERMINALS | AS SHOWN | | |
| | Q.C. HOUSING | ---- | | |
| EARTH PROVISION | AS SHOWN | | | |
| BASIC BUILD SPECIFICATION | ----- | | | |
| PERFORMANCE SPECIFICATION | SPM53006-01 | | | |
| SHAFT MATERIAL | S.S. 303 | | | |
| CONNECTION DIAGRAM | ----- | PAINT SPEC | CLEAR VARNISH | |



MIC No. 003649
 By: MURFETTR Date: 28/10/11
 MIC No. FIRST SOLID EDGE DRAWING

PACKAGING
 14 - MOTORS PER BOX.
ADDITIONAL PROTECTION :-
 CORROSION INHIBITING PAPER IN EACH BOX

PALLET AND BOX LABELS TO HAVE:-
 FASCO NUMBER
 DATE OF MANUFACTURE
 QUANTITY
 WEIGHT

PACK PARTS IN PLASTIC BAG AND ATTACH TO MOTOR LEAD.
 3 - NUT 5/32" B.S.W. 5/16" A/F HEX ZINC PLATED
 2 - 4 DIA INTERNAL SHAKEPROOF WASHER ZINC PLATED.
 1 - FLAT WASHER 1 X 14.2 X 1.2 ZINC PLATED

| | | | | | | | |
|--|----------|----------|----------|---|----------|--|----------------------|
| DIMENSIONS IN mm UNLESS OTHERWISE SPECIFIED GENERAL TOLERANCES LINEAR: X = ±1.0 XX = ±0.25 XXX = ±0.1 ANGULAR: X = 2° XX = ±0.5° SURFACE FINISHES MAX 3.0 MICRO METRES SYMBOLS PER A.S. 1100 This drawing remains the property of Fasco Australia Pty. Ltd. No part or parts of this drawing may be reproduced without written permission. | MATERIAL | | | ABN 76.000 010 944 1/14 Monterey Road Dandenong Victoria | FRAME | .MOTOR 240V 50HZ 1SP ACW DWG. NO. J09OR05SJ | REVISION A |
| | FINISH | | | | STATUS | | |
| | DRAWN | MURFETTR | 19/07/11 | | R | | |
| | CHECKED | BALCHANT | 09/11/11 | | SHEET | | |
| | RELEASED | BALCHANT | 09/11/11 | | A3 | | |
| SCALE | 1:1 | | | | | | |