

Roca Cyprus Stonex Shower Floor 900 x 900mm Arena with Matching Waste

1711983

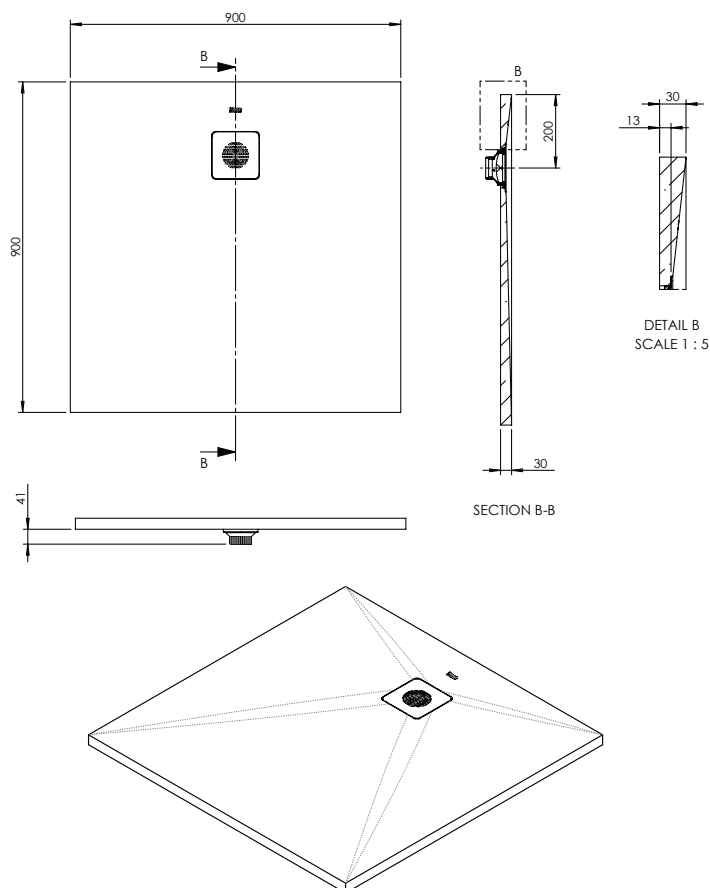
SPECIFICATIONS

Recommended Use	Domestic, Hotel & Commercial
Material	Stonex Reinforced Resin
Colour	Arena
Waste Position	Centre Rear
Waste Type	Stainless Steel Powder Coated Matching 50mm Waste Outlet
Weight	25 kg

WARRANTY

Warranty - Domestic Use	15 Years
Spare Parts & Labour	12 Months

Please refer to Warranty Page for full Terms and Conditions



Dimensions are nominal measurements only.

CLEANING RECOMMENDATIONS:

We recommend the use of soapy water or approved cleaners. This product should not be cleaned with abrasive materials. Damage caused by any improper treatment is not covered by the product warranty. Refer to Warranty Conditions

Disclaimer: Products in this specification manual must by regulation be installed by licensed and registered trade people. The manufacturer/distributor reserves the right to vary specifications or delete models from their range without prior notification. Dimensions are nominal measurements only. Dimensions and set-outs listed are correct at time of publication however the manufacturer/distributor takes no responsibility for printing errors.

Published 15/10/2020

To see the complete Roca range go to
www.reece.com.au