

TOILET ROLL DISPENSERS



ML832SS

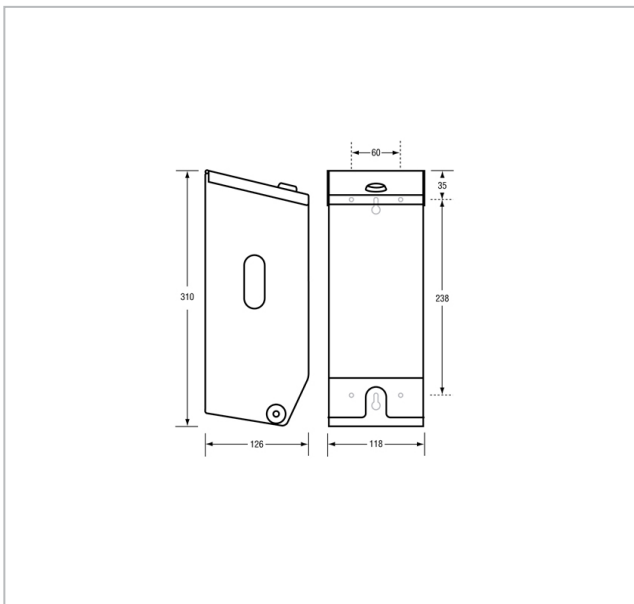
Double Toilet Roll Dispenser - SS Satin Finish

SPECIFICATIONS

Material	ML832SS	: #304 Stainless Steel Cabinet and Spring Clip
	ML832W	: Cold Rolled Steel Cabinet and Spring Clip
Finish/Specify	ML832SS	: Satin Stainless Steel
	ML832W	: White Powder Coat
Mounting	Surface Mounted Concealed Fix	
Capacity	Dispenses/Holds two rolls up to 135mmØ	
Features	Replacement roll held in place by internal Spring Clip and drawn down through side slots after bottom roll is used and core removed Unit fitted with tumbler lock Unit is supplied with 1 key. Spare key can be purchased separately, use code ML832_833LOCK	

Related Video [Stainless Steel Cleaning & Maintenance](#)

SUITABLE APPLICATIONS



The photographs and line drawings of the products presented above are representational only. Metlam Australia Pty Ltd reserves the right to, and from time to time, make changes and improvements in design and dimensions.