

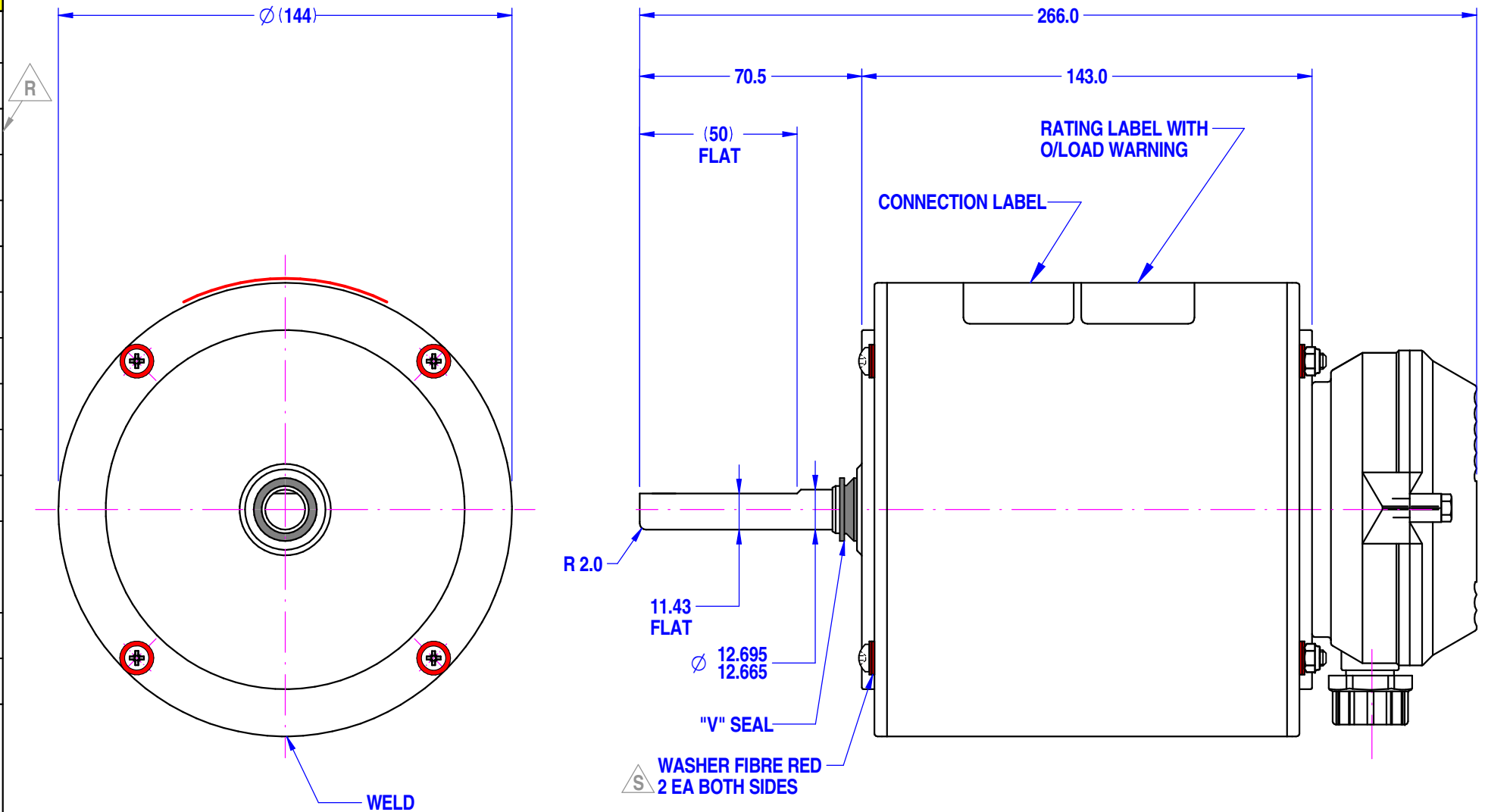
MOTOR SPECIFICATION

FINAL INSPECTED MOTORS MUST COMPLY WITH ELECTRIC MOTOR VIBRATION SPECIFICATION (ES049)

THIRD ANGLE PROJECTION.

8061S120-80

Q.R. No.	6681	CUSTOMER NO.	-
CUSTOMER	VARIOUS		
MOTOR RATING	VOLTS	240	Hz 50 Ph 1 Duty AOM IP 55
	MAX. INPUT	900	2.9 AMPS
	NOM. OUTPUT	370 WATTS	
ROTATION	CLOCKWISE DRIVE END (REVERSIBLE)		
CAPACITOR	START	----- μF/V	RUN 8/440 μF/V
ENCLOSURE	TOTALLY ENCLOSED		
MOTOR TYPE	CSR	INSULATION CLASS	B130
THERMAL PROTECTION	AUTO RESET THERMAL OVERLOAD		
APPLICATION	FAN - SHAFT HORIZONTAL		
BEARING D.E.	6202 DDU.	LUBRICATION	LONG LIFE, WIDE RANGE
BEARING N.D.E.	6202 DDU.		
SUPPLY LEAD	---		
EARTH PROVISION	IN CAPACITOR COVER		
BASIC BUILD SPECIFICATION	305-570-05	PAINT/ COLOUR	PC GREY CASE PLAIN E/SHIELDS
PERFORMANCE SPECIFICATION	SP85101-01		
CONNECTION DIAGRAM	393-333-01	RATING LABEL	SSTDAUTO.FMT



DESIGNED AND MANUFACTURED TO AUSTRALIAN STANDARDS & SPECIFICATIONS

MODEL	8061S120-80
-------	-------------

VOLTS 240	R.P.M. 900	CLASS B130	Hz 50
WATTS 370	TYPE CSR	μF/V S NIL	Ph 1
AMPS 2.9	DUTY AOM / IP 55	μF/V R 8/440	PROT. AUTO

WARNING

MOTOR FITTED WITH INTERNAL AUTO RESET OVERLOAD AND MAY RESTART WITHOUT WARNING

SPECIAL REQUIREMENTS:

- 1)_ WEATHERPROOF MOTORS TO ES050
- 2)_ NON DRIVER E/SH TO BE ASSEMBLED SO THAT LEAD EXIT HOLE IS CLOSED TO THE WELD
- 3)_ SHAFT MUST BE STAINLESS STEEL
- 4)_ WASHER FIBRE TO BE FITTED ON TIE RODS BOTH SIDES.

UNLESS OTHERWISE SPECIFIED : DIMENSIONS ARE IN MM. TOLERANCES

DECIMALS	ANGULAR
.X ± 1.0	± 30'
.XX ± 0.1	

THIS DRAWING REMAINS THE PROPERTY OF FASCO MOTORS AND MAY NOT BE USED, COPIED OR ISSUED WITHOUT WRITTEN PERMISSION FROM FASCO MOTORS

MOTOR WEIGHT	8.6 kg.	
DRAWN	Veeranut	07/11/2018
CHECKED	Pipat	08/11/2018
RELEASED	Suksakorn	08/11/2018
SCALE	N.T.S.	

FASCO THAILAND
29/7-8 MOO 3, BANGKRUAY - SAINOI Rd.,
BANGKRANG, MUANG NONTABURI DISTRICT,
NONTABURI 11000 THAILAND

FRAME	MOTOR	
STATUS	R	
SHEET	A3	
DWG. NO.	8061S120-80	
REVISION	T	

MIC1804207

By: Veeranut
Date: 07/11/2018

MIC T: REMOVE C-TICK FROM LABEL