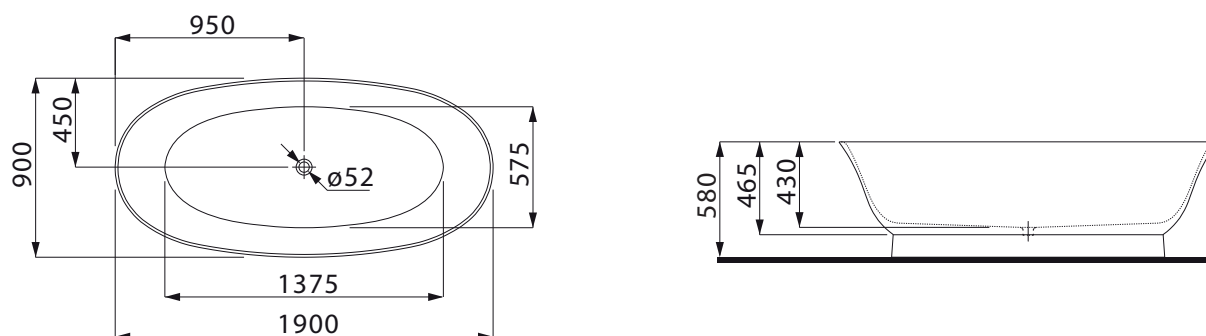


LAUFEN

Bathroom Culture since 1892  www.laufen.com

Installation Instructions

Laufen New Classic Freestanding Bath 1900mm White



Important:

- Please unwrap the bath and check it carefully to ensure it has not been damaged in handling or transport.
- Please check that all parts have been supplied.
- Assemble bath on a mat to protect against damage to bath surface.
- Please do not remove the old fixture before you unpack and inspect the new unit.
- Store the bath in a safe place until you begin installation to avoid damage.
- Any installation should be carried out by a qualified tradesman with knowledge of statutory plumbing requirements in your area.
- This installation guide does not include details of waste connection; final decision about installation of waste connection should be taken by a suitably qualified person.

Installation:

- Install waste pipe and trap - taking into consideration the waste position of the bath. Make sure that the surface where the bathtub will be placed is perfectly flat, clean, free of any excess humidity and offers adequate support.
- Ensure any adjustable bath feet are level and load bearing. This can be done by using a spirit level on a flat surface on the top of the bath. Check the bath is level along each axis.
- To make any height adjustments, the bath feet can be rotated to raise or lower the feet. Adjust bath feet until bath is 3mm above the floor and once bath is level and the feet are in the correct position, the locking nut can be tightened with a spanner to prevent the feet from moving further.
- Measure the location of the bathtub feet in relation to the desired installation position. Mark on the floor the location of the feet and use a marking pencil to draw a bath outline on the floor around the bath base.
- Lift and tilt bath up on its side and fit the waste. Water test the bath to check that it is draining correctly without any leaks.
- Silicone seal the bath in position onto the floor and into 3mm gap between base of bath and floor to seal it. Allow seal to fully cure for 24 hours before use.
- A suggested bath component list for Slab floor or 2nd storey bath connection or Timber floor with clear access underneath is listed below:

Plumbers, please ensure a copy of the installation instructions is left with the end user for future reference

Laufen New Classic Freestanding Bath 1900mm White

1. Slab floor or 2nd storey suggested bath connection component list:

- 1405525 DWV Adaptor PVC X FI 40mm
- 1400105 40mm DWV PVC pipe (installer to cut to length)

• Slab floor or 2nd storey bath connection



Below floor smart trap



Below floor smart pan



Waste pipe into smart seal

2. Timber floor with clear access underneath:

Connection of bath waste to 40mm P-Trap in timber sub-floor is acceptable when clear access is available under the floor.

- 1409115 Dura Standard P Trap 40mm or 1409121 Dura Short P Trap 40mm
- 1400105 40mm DWV PVC pipe (installer to cut to length)

• Timber floor with clear access underneath



P-Trap

CLEANING RECOMMENDATIONS:

We recommend the use of soapy water or approved cleaners. This product should not be cleaned with abrasive materials. Damage caused by any improper treatment is not covered by the product warranty. Refer to Warranty Conditions.