

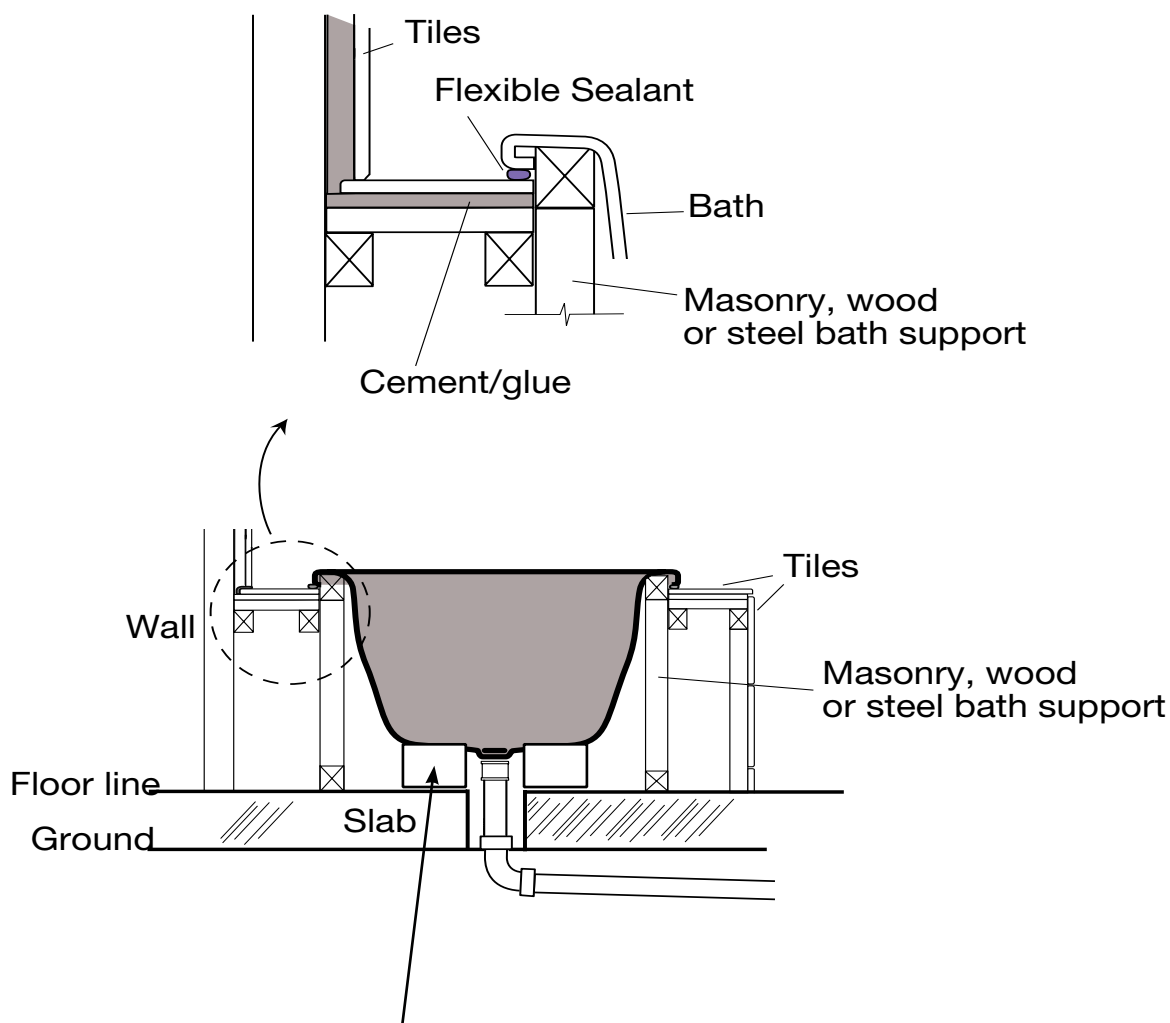
BASE

ACRYLIC INSET BATH

INSTALLATION

Note: Please check surface thoroughly before installing. Installation of the bath will be taken as acceptance of the product. Also, it is important to install the product in accordance with the installation instructions below.

1. This bath is not self supporting and does require a support at the base via masonry, steel, timber. It is important that the full rim of the bath rests on a support wall constructed from wood, masonry or steel.
2. Place bath in position and connect waste. Fill bath and then release, checking seals for leaks and that the bath drains successfully.
3. Apply flexible sealant to the exposed edges.



This bath is not self supporting and does require a support at the base via masonry, steel, timber or a bed of sand/cement slurry.