

# Enware-Delabie Tempostop Shower Valve - Recessed

## TFC749128

The Tempomix shower mixers when operated provides a 30 second\* automatic shut-off with an easy push button activation. Designed to comply with intensive use in public areas with a high resistance to vandalism.

### KEY FEATURES

- Easy push button activation
- Automatic shut-off after 30 seconds\*
- Coverplate is without exposed screws providing a high resistance to vandalism

\* Times are indicative only and may vary depending on the water supply pressure and flow conditions



### PRODUCT CODES

TFC749128

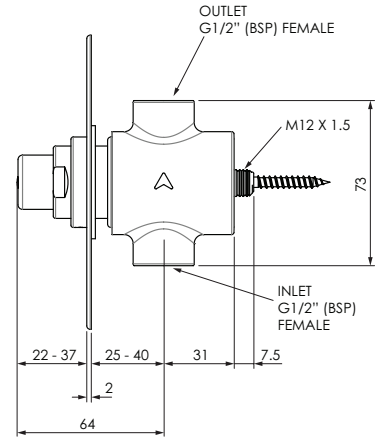
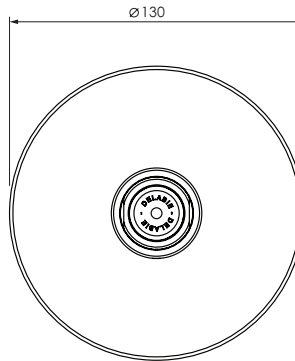
Tempostop Shower Valve - Recessed

Version: Mar 22

# Enware-Delabie Tempostop Shower Valve - Recessed

## TECHNICAL INFORMATION

Working Pressure Range	100 - 500 kPa
Maximum Static Pressure	1000 kPa For testing purposes only
Recommended Pressure	250 - 300 kPa
Maximum Water Temperature	70°C
Operating Force	47N @ 300 kPa
Inlet / Outlet Connections	15mm (1/2" BSP)



Enware products are to be installed in accordance with the Plumbing Code of Australia and AS/NZS3500. Reference should also be made to the Australasian Health facility Guidelines (AHFG), ABCB and Local Government regulations when considering the choice of, and the installation of these products.

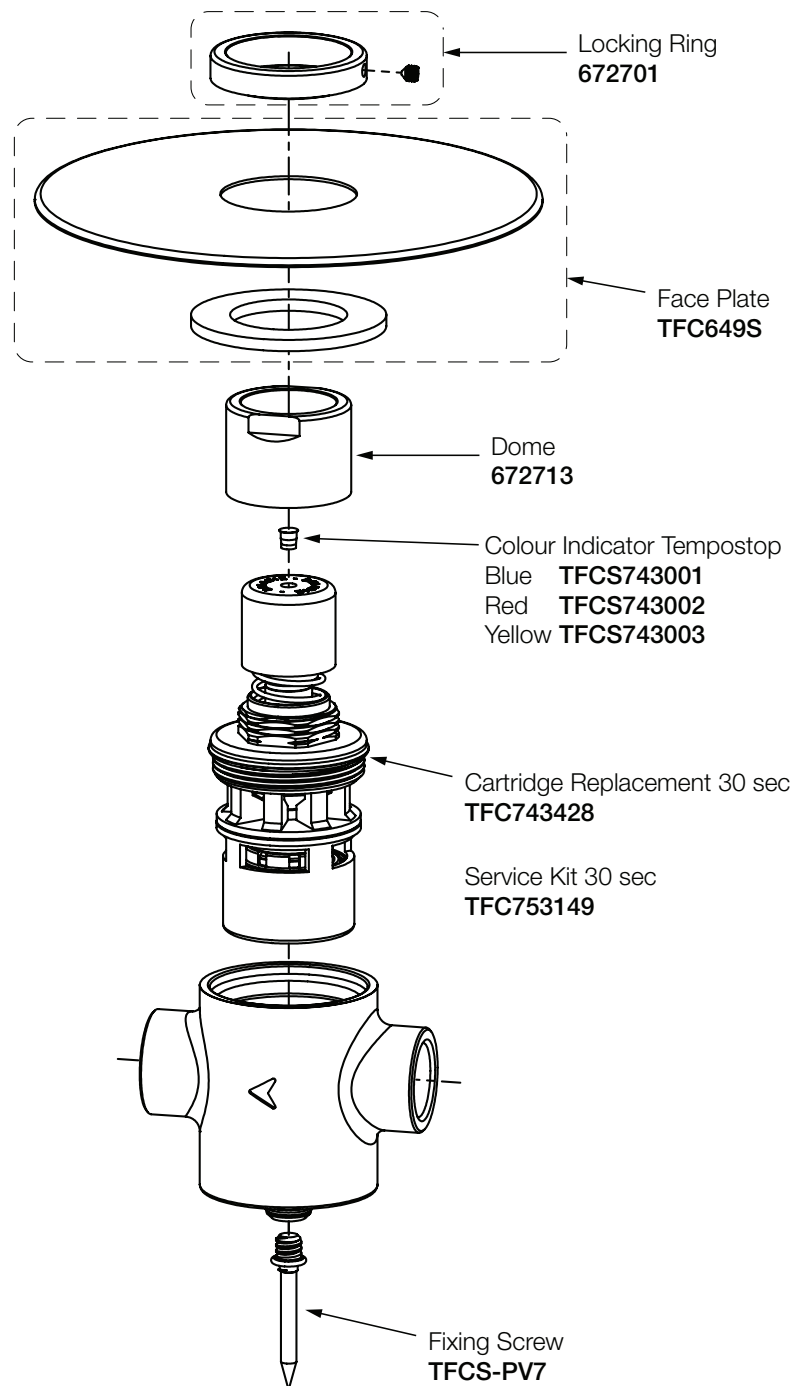
Enware Australia advises:

1. Due to ongoing Research and Development, specifications may change without notice.
2. Component specifications may change on some export models.
3. Refer to warranty statement for warranty details - [www.enware.com.au/warranty](http://www.enware.com.au/warranty)

Version: Mar 22

# Enware-Delabie Tempostop Shower Valve - Recessed

## SPARE PARTS



Version: Mar 22