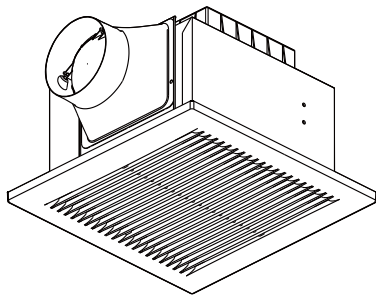


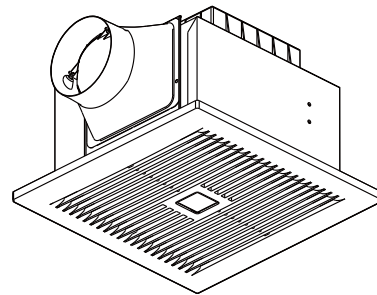
Service Manual

Ventilating Fan

Australia Market



FV-24JA3




FV-24JR3

WARNING

This service information is designed for experienced repair technicians only and is not designed for use by the general public. It does not contain warnings or cautions to advise non-technical individuals of potential dangers in attempting to service a product. Products powered by electricity should be serviced or repaired only by experienced professional technicians. Any attempt to service or repair the product or products dealt with in this service information by anyone else could result in serious injury or death.

IMPORTANT SAFETY NOTICE

There are special components used in this equipment which are important for safety. These parts are marked by  in the Schematic Diagrams, Exploded Views and Replacement Parts List. It is essential that these critical parts should be replaced with manufacturer's specified parts to prevent shock, fire or other hazards. Do not modify the original design without permission of manufacture. We suggest to handle such parts after the static electricity prevention. It is forbidden to touch the PCB parts by bare hands during the repairing process.

CONTENTS

| | PAGE |
|------------------------------|------|
| 1 Specifications | 1 |
| 2 Parts Identification | 2~6 |
| 3 Wiring Diagram | 7 |
| 4 Parts List | 8~11 |

1. Specifications

| Model | Voltage [V] | Frequency [Hz] | Power consumption [W] | Air Volume [m ³ /h] | Noise [dB(A)] | Static pressure [Pa] | Net weight [kg] |
|-----------------------|-------------|----------------|-----------------------|--------------------------------|---------------|----------------------|-----------------|
| FV-24JA3/ FV-24JR3 | 240 | 50 | 9.3 | 160 | 36.5 | 170 | 2.9 |
| | | | 5.5 | 120 | 30.5 | 170 | 3.0 |
| | | | 3.6 | 80 | 24.5 | 170 | |

1. The values of rated input, air volume and noise are specified at the static pressure of 0 pa.
 2. The values of noise level is a weighted average sound pressure level, the central value are measured by our company, within +3 and -7 tolerance.
 3. Test method: In the noise test room, measure the noise value at a position 1 m away from the left side/right side/bottom of the sample respectively, and then calculate the average value.
 4. Air volume is the central value measured by this company with $\pm 10\%$ of tolerance range.
 5. Static pressure is the central value of the company's test results when the air volume is 0, with a lower deviation of -10%.
- * The above parameters are subject to change without a prior notice.

Insulation Class E

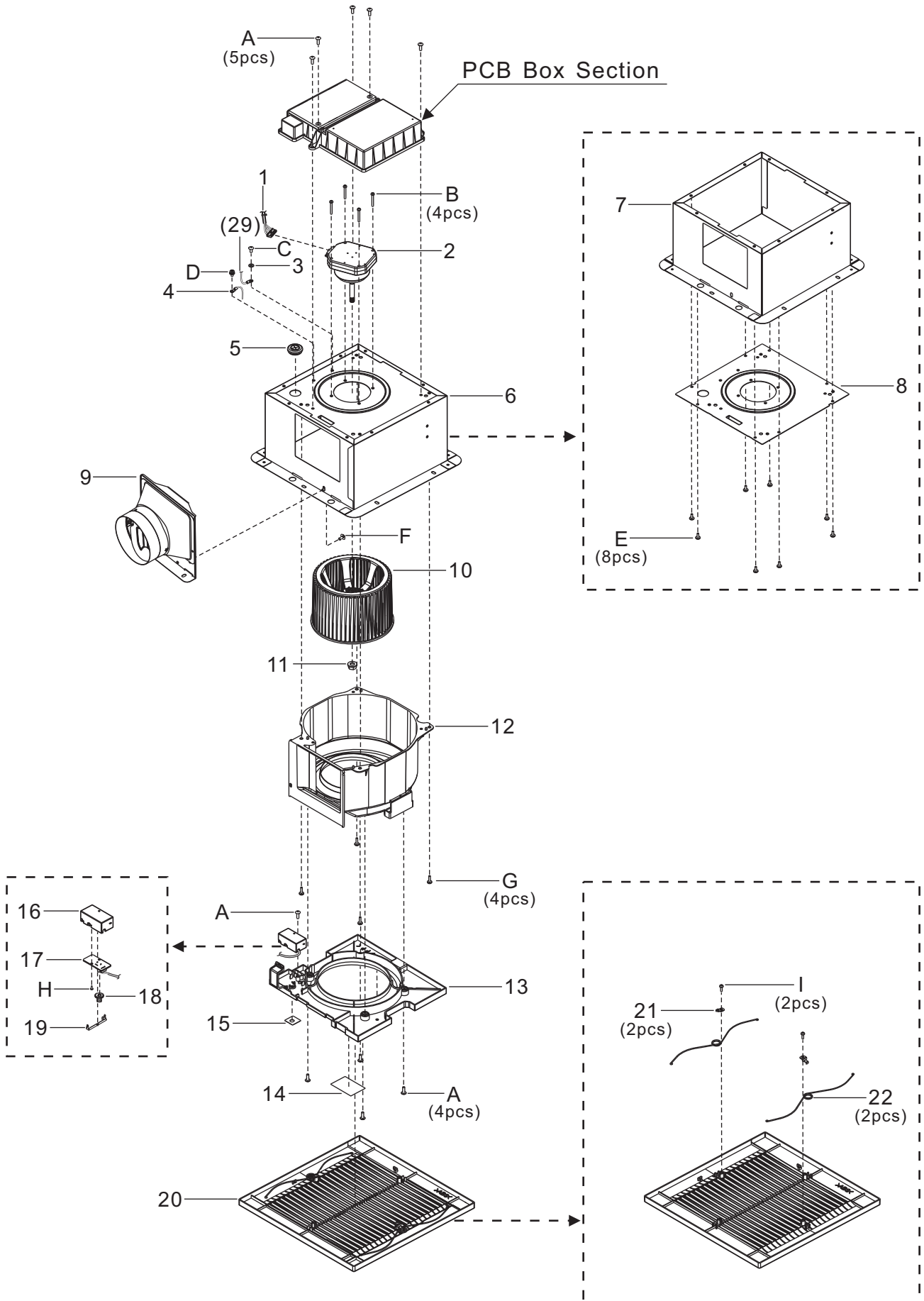
IP Code: IPX2

Type of Insulation: Functional Insulation

2.Parts Identification

FV-24JA3

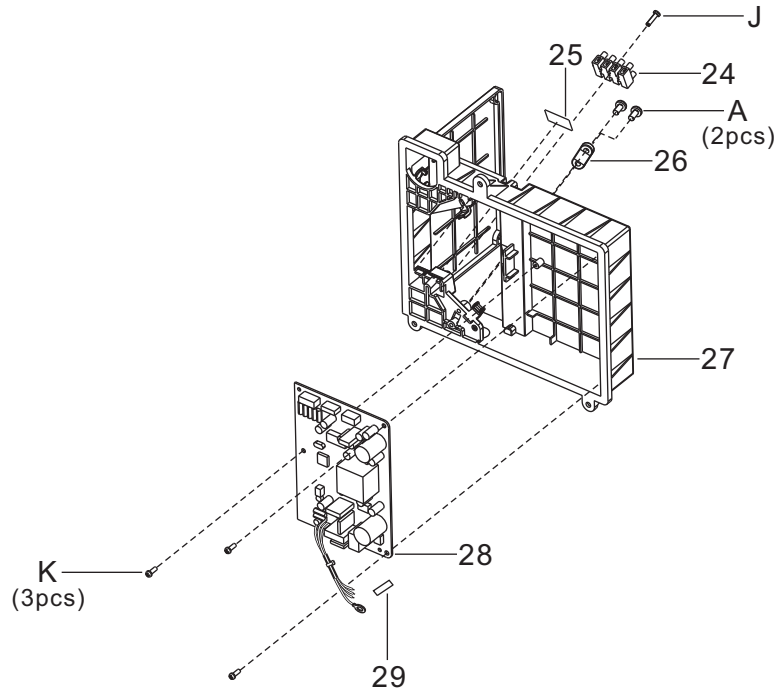
Main Body Section



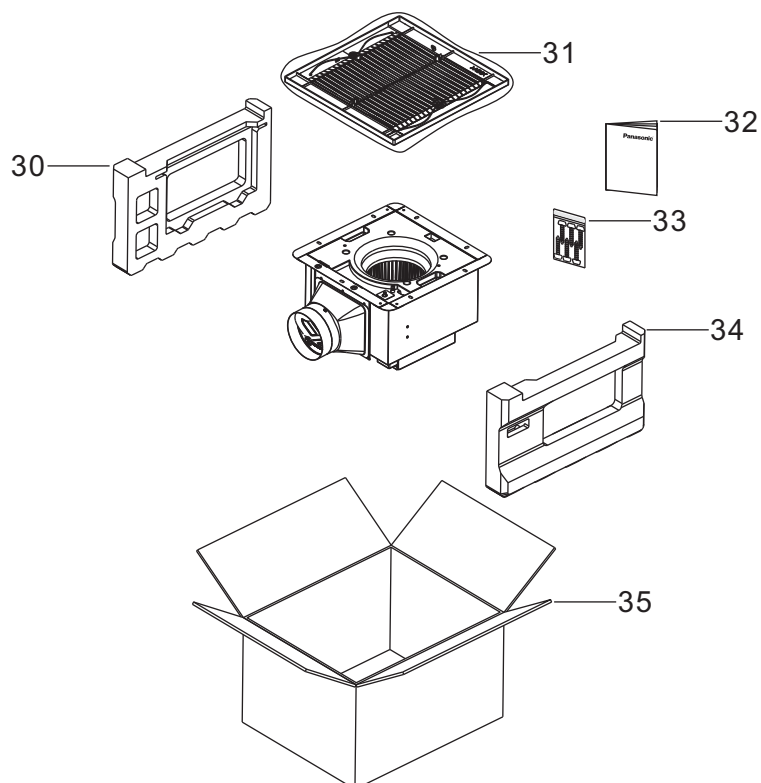
2.Parts Identification

FV-24JA3

PCB Box Section



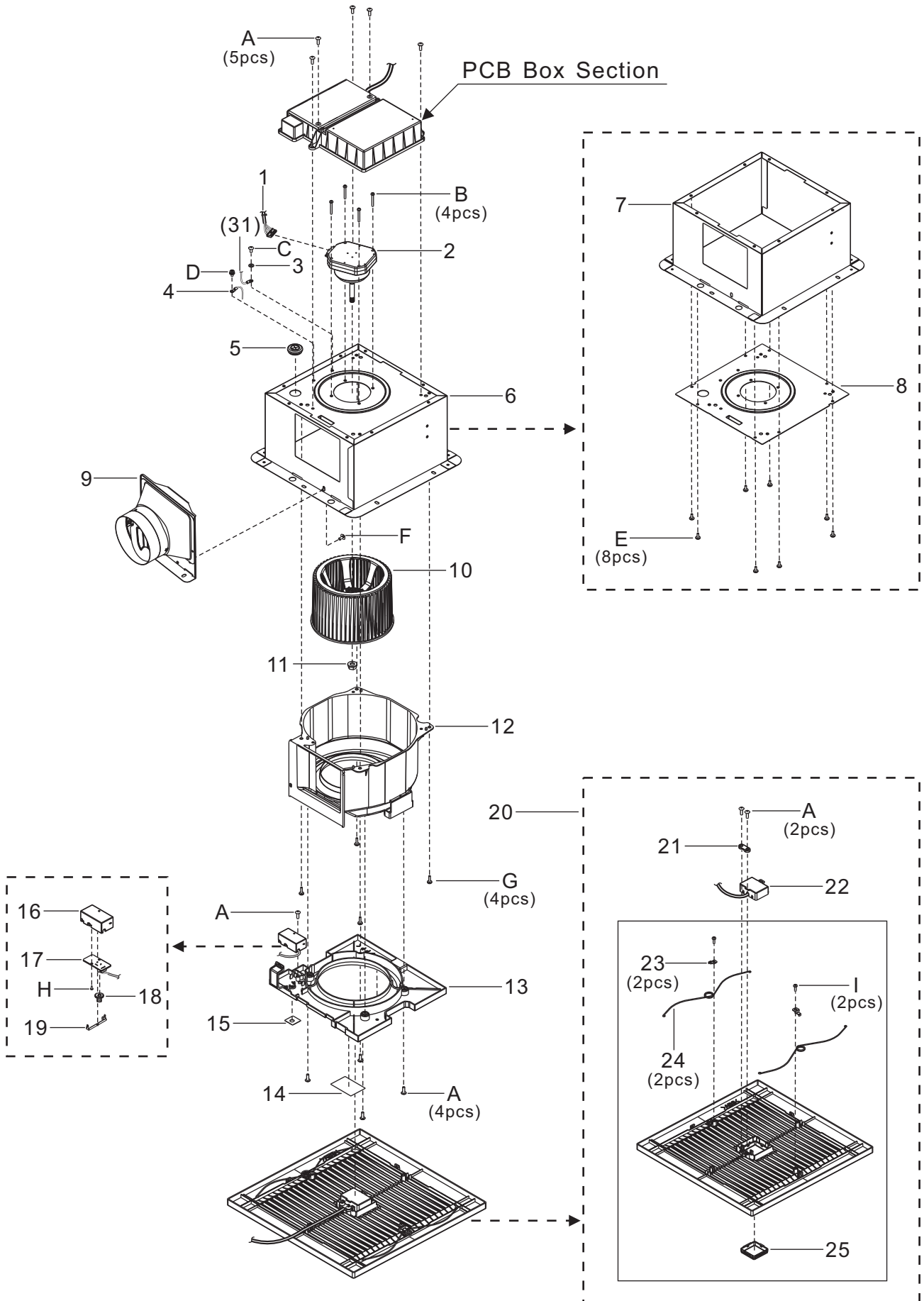
Packing Section



2.Parts Identification

FV-24JR3

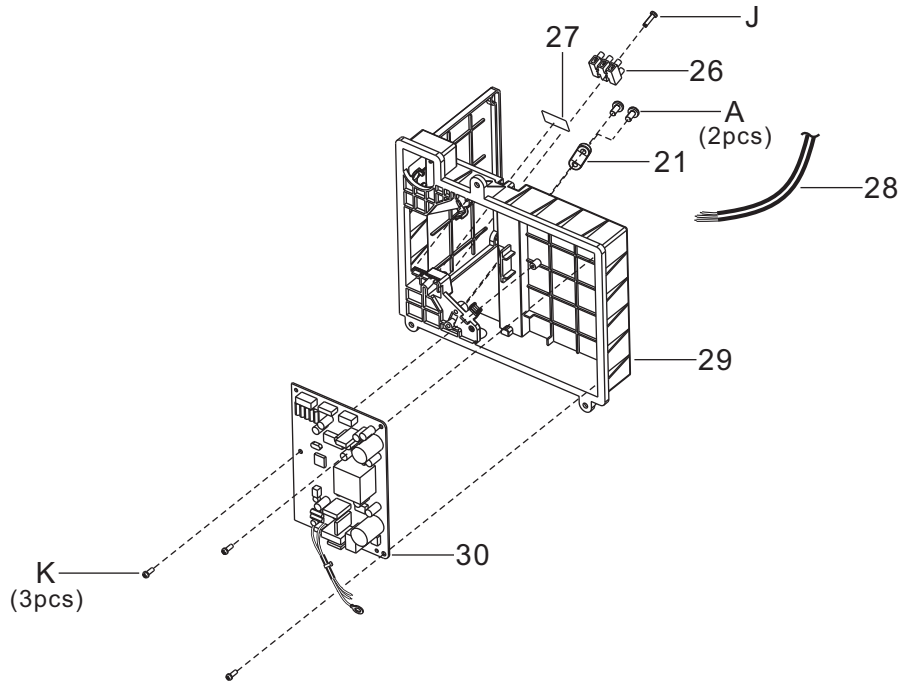
Main Body Section



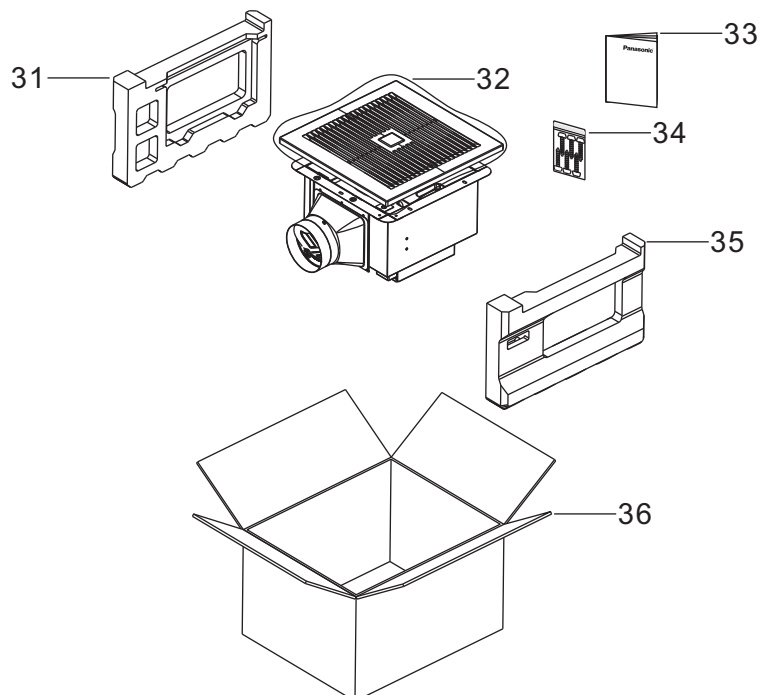
2.Parts Identification

FV-24JR3

PCB Box Section



Packing Section

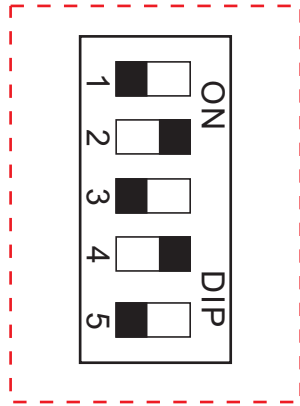


2.Parts Identification

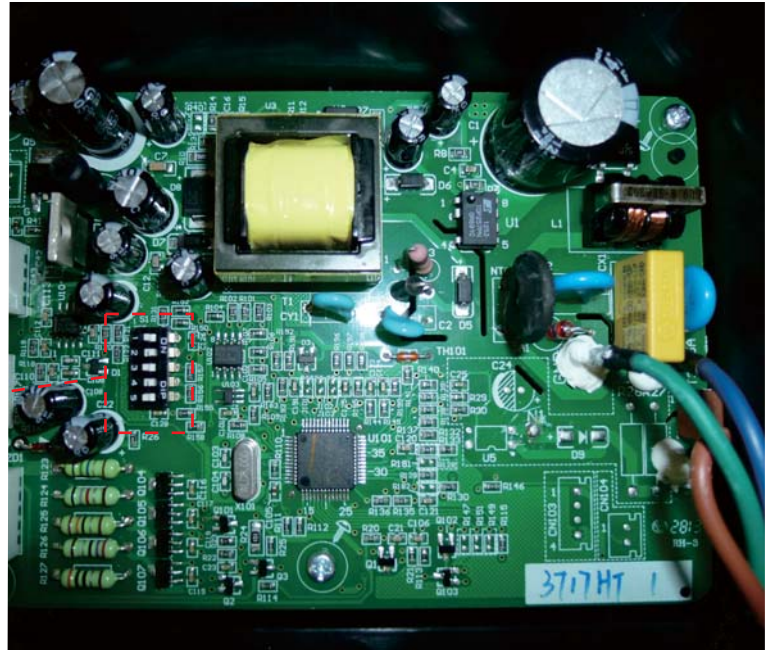
FV-24JA3

FV-24JR3

PCB Switch Section



PCB switch setting



You can see the original setting of PCB switch as above figure. In order to prevent any damage during operation, please check and set the switch as above figure before replace PCB.

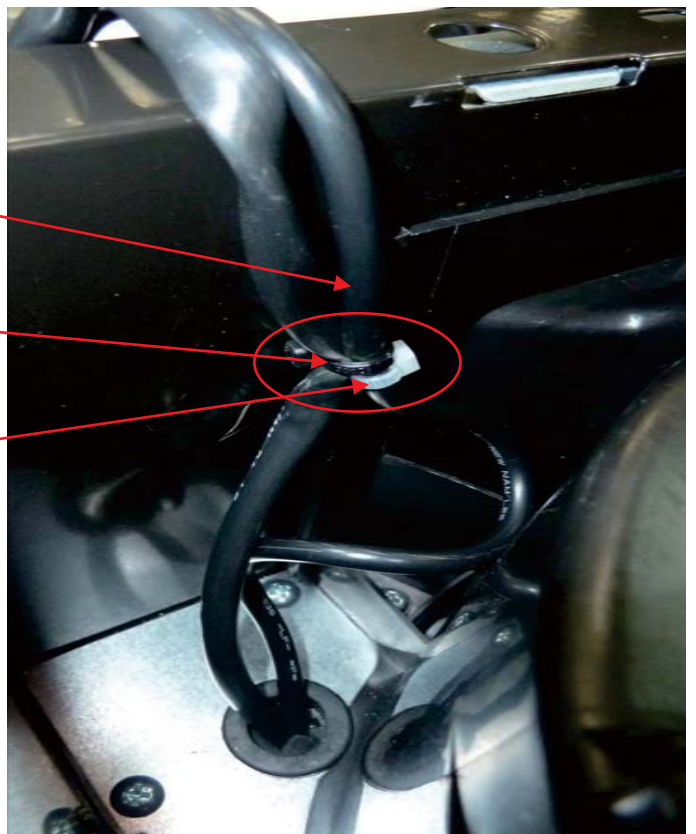
FV-24JR3

Fixing the Insulock Tie for sensor lead wire

Sensor Wire

Insulock Tie
(Black)

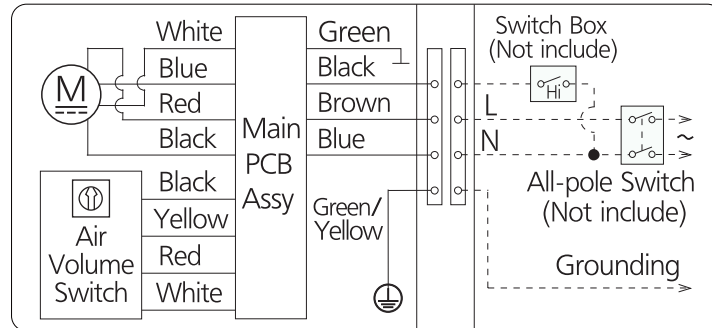
White Insulock Tie
(Sensor Wire)



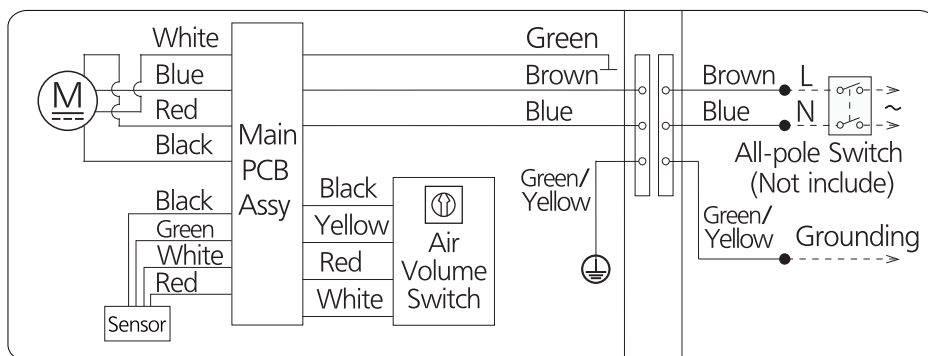
In order to prevent any accident happened by the jamming of excess length lead wires, please make sure insulock tie(black) is tightened after maintenance. And then the sensor wire(white insulock) should be closed to top panel.

3.Wiring diagram

FV-24JA3



FV-24JR3



4.Parts List

FV-24JA3

Main Body Section

| No. | Part No. | Part Name | Q'ty | Remark |
|-----|-------------|-----------------------|------|---|
| 1 | FFV3700324S | Motor Lead Wire Assy | 1 | ⚠ |
| 2 | FFV3730114S | Motor Assy | 1 | ⚠ |
| 3 | FFV7010028S | Spring Washer | 1 | |
| 4 | FFV1300008S | Earth Lead Wire | 1 | ⚠ |
| 5 | FFV0720003S | Cord Bushing | 1 | |
| 6 | FFV1600134S | Frame Assy | 1 | |
| 7 | FFV1600135S | Frame | 1 | |
| 8 | FFV5840033S | Top Panel | 1 | |
| 9 | FFV0000190S | Adapter Assy | 1 | |
| 10 | FFV0400137S | Blade | 1 | |
| 11 | FFV7020021S | Nut | 1 | |
| 12 | FFV0790107S | Casing | 1 | |
| 13 | FFV4300148S | Orifice | 1 | |
| 14 | FFV4020994S | Name Plate | 1 | Stuck On Orifice |
| 15 | FFV5530070S | Switch Indication | 1 | Stuck On Orifice |
| 16 | FFV5580008S | Switch PCB Box | 1 | |
| 17 | FFV5580009S | Switch Assy | 1 | ⚠ |
| 18 | FFV5580010S | Switch Knob | 1 | |
| 19 | FFV5580011S | Switch Spring | 1 | |
| 20 | FFV3402157S | Louver Assy | 1 | |
| 21 | FFV5560028S | Spring Set Plate | 2 | |
| 22 | FFV5560017S | Spring | 2 | |
| A | FFV7000073S | Truss Tapping Screw | 10 | |
| B | FFV7000109S | Stainless Steel Screw | 4 | For Fixing Motor Assy |
| C | FFV7000074S | Truss Tap Screw | 1 | For Fixing Earth Lead Wire From Main PCB Assy ⚠ |
| D | FFV7000211S | Screw Assy | 1 | For Fixing Earth Lead Wire ⚠ |
| E | FFV7000108S | Truss Tap Screw | 8 | For Fixing Top Panel |
| F | FFV7000213S | Hexagon Screw | 1 | For Fixing Adapter Assy |
| G | FFV7000080S | Plus Truss Screw | 4 | For Fixing Casing |
| H | FFV7000164S | Pan Tap Screw | 1 | For Fixing Switch Assy |
| I | FFV7000140S | Pan Tap Screw | 2 | For Fixing Spring Set Plate |

PCB Box Section

| No. | Part No. | Part Name | Q'ty | Remark |
|-----|-------------|----------------|------|-----------------------|
| 24 | FFV5820028S | Terminal | 1 | ⚠ |
| 25 | FFV5820024S | Terminal Label | 1 | Stuck On Main PCB Box |
| 26 | FFV0740009S | Cord Clip | 1 | |
| 27 | FFV3740025S | Main PCB Box | 1 | |
| 28 | FFV3740057S | Main PCB Assy | 1 | ⚠ |

4.Parts List

FV-24JA3

PCB Box Section

| No. | Part No. | Part Name | Q'ty | Remark |
|-----|-------------|-----------------|------|--------------------------|
| 29 | FFV4020855S | Signal Label | 1 | |
| A | FFV7000073S | Truss Tap Screw | 2 | For Fixing Cord Clip |
| J | FFV7000077S | Bind Tap Screw | 1 | For Fixing Terminal |
| K | FFV7000145S | Truss Tap Screw | 3 | For Fixing Main PCB Assy |

Packing Section

| No. | Part No. | Part Name | Q'ty | Remark |
|-----|-------------|------------------------|------|--------------------------------|
| 30 | FFV4710373S | Frame Pad L | 1 | |
| 31 | FFV4650016S | Poly Cover | 1 | For Fixing Louver Assy Packing |
| 32 | FFV4340115S | Operating Instructions | 1 | |
| 33 | FFV0010175S | Accessory A | 1 | |
| 34 | FFV4710374S | Frame Pad R | 1 | |
| 35 | FFV9001436S | Packing Case Assy | 1 | |

4.Parts List

FV-24JR3

Main Body Section

| No. | Part No. | Part Name | Q'ty | Remark |
|-----|-------------|-----------------------|------|---|
| 1 | FFV3700324S | Motor Lead Wire Assy | 1 | ⚠ |
| 2 | FFV3730114S | Motor Assy | 1 | ⚠ |
| 3 | FFV7010028S | Spring Washer | 1 | |
| 4 | FFV1300008S | Earth Lead Wire | 1 | ⚠ |
| 5 | FFV0720003S | Cord Bushing | 1 | |
| 6 | FFV1600134S | Frame Assy | 1 | |
| 7 | FFV1600135S | Frame | 1 | |
| 8 | FFV5840033S | Top Panel | 1 | |
| 9 | FFV0000190S | Adapter Assy | 1 | |
| 10 | FFV0400137S | Blade | 1 | |
| 11 | FFV7020021S | Nut | 1 | |
| 12 | FFV0790107S | Casing | 1 | |
| 13 | FFV4300148S | Orifice | 1 | |
| 14 | FFV4020995S | Name Plate | 1 | Stuck On Orifice |
| 15 | FFV5530070S | Switch Indication | 1 | Stuck On Orifice |
| 16 | FFV5580008S | Switch PCB Box | 1 | |
| 17 | FFV5580009S | Switch Assy | 1 | ⚠ |
| 18 | FFV5580010S | Switch Knob | 1 | |
| 19 | FFV5580011S | Switch Spring | 1 | |
| 20 | FFV3402158S | Louver Assy | 1 | |
| 21 | FFV0740009S | Cord Clip | 1 | |
| 22 | FFV5500044S | Sensor Assy | 1 | Include 1pc Insulock Tie ⚠ |
| 23 | FFV5560028S | Spring Set Plate | 2 | |
| 24 | FFV5560017S | Spring | 2 | |
| 25 | FFV2220051S | Sensor Cover | 1 | |
| A | FFV7000073S | Truss Tapping Screw | 12 | |
| B | FFV7000109S | Stainless Steel Screw | 4 | For Fixing Motor Assy |
| C | FFV7000074S | Truss Tap Screw | 1 | For Fixing Earth Lead Wire From Main PCB Assy ⚠ |
| D | FFV7000211S | Screw Assy | 1 | For Fixing Earth Lead Wire ⚠ |
| E | FFV7000108S | Truss Tap Screw | 8 | For Fixing Top Panel |
| F | FFV7000213S | Hexagon Screw | 1 | For Fixing Adapter Assy |
| G | FFV7000080S | Plus Truss Screw | 4 | For Fixing Casing |
| H | FFV7000164S | Pan Tap Screw | 1 | For Fixing Switch Assy |
| I | FFV7000140S | Pan Tap Screw | 2 | For Fixing Spring Set Plate |

4.Parts List

FV-24JR3

PCB Box Section

| No. | Part No. | Part Name | Q'ty | Remark |
|-----|-------------|-----------------|------|--------------------------|
| 21 | FFV0740009S | Cord Clip | 1 | |
| 26 | FFV5830018S | Terminal | 1 | ⚠ |
| 27 | FFV5820024S | Terminal Label | 1 | Stuck On Main PCB Box |
| 28 | FFV4620134S | Power Cord | 1 | ⚠ |
| 29 | FFV3740025S | Main PCB Box | 1 | |
| 30 | FFV3740058S | Main PCB Assy | 1 | ⚠ |
| A | FFV7000073S | Truss Tap Screw | 2 | For Fixing Cord Clip |
| J | FFV7000077S | Bind Tap Screw | 1 | For Fixing Terminal |
| K | FFV7000145S | Truss Tap Screw | 3 | For Fixing Main PCB Assy |

Packing Section

| No. | Part No. | Part Name | Q'ty | Remark |
|-----|-------------|------------------------|------|--------------------------------|
| 31 | FFV4710373S | Frame Pad L | 1 | |
| 32 | FFV4650016S | Poly Cover | 1 | For Fixing Louver Assy Packing |
| 33 | FFV4340115S | Operating Instructions | 1 | |
| 34 | FFV0010175S | Accessory A | 1 | |
| 35 | FFV4710374S | Frame Pad R | 1 | |
| 36 | FFV9001437S | Packing Case Assy | 1 | |