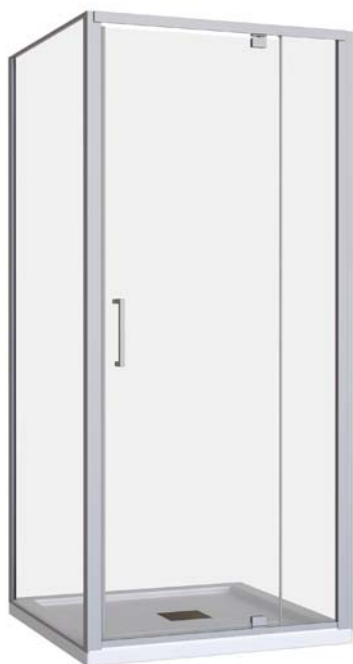
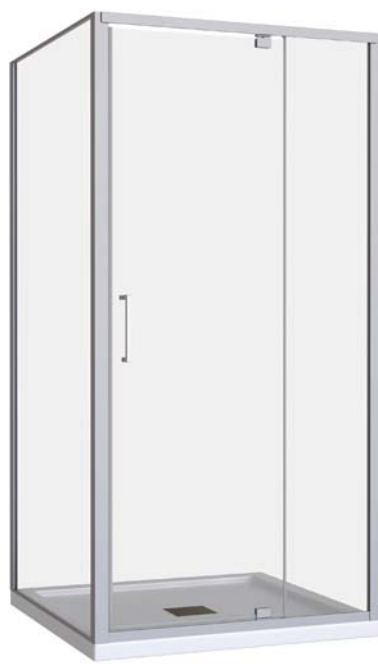


# BASE MKII

## SHOWER SCREEN & BASE



900 x 900 x 2000 (mm)



1000 x 1000 x 2000 (mm)

Dimensions are nominal measurements only.

To see the complete BASE range go to  
[www.reece.com.au/bathrooms](http://www.reece.com.au/bathrooms)

### SPECIFICATIONS

<b>Recommended use</b>	Domestic, Hotel, and Commercial
<b>Material</b>	6mm Toughened Glass Fully framed shower screen with chrome frame door and return panel. Shower Base - Sanitary Grade Acrylic Square exterior Chrome Door Handle.
<b>Frame &amp; Support Rail Colour</b>	Chrome
<b>Screen Height</b>	2000mm
<b>Door Width</b>	900: Min 866 - Max 886 mm 1000: Min 966 - Max 986 mm
<b>Return Width</b>	900: Min 854 - Max 866 mm 1000: Min 954 - Max 966 mm
<b>Shower Base Waste Options</b>	Centre or Rear Chrome Waste
<b>Door Opening</b>	Right or Left

### CLEANING RECOMMENDATIONS

We recommend the use of soapy water or approved cleaners.

This product should not be cleaned with abrasive materials.

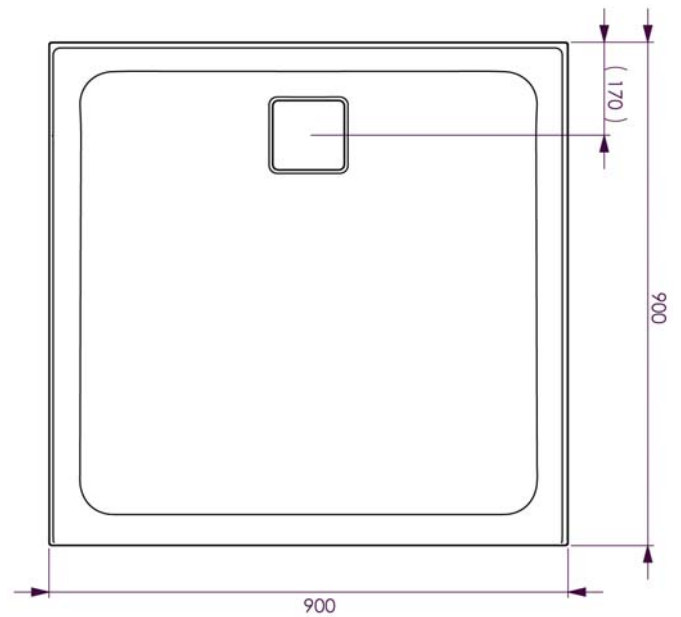
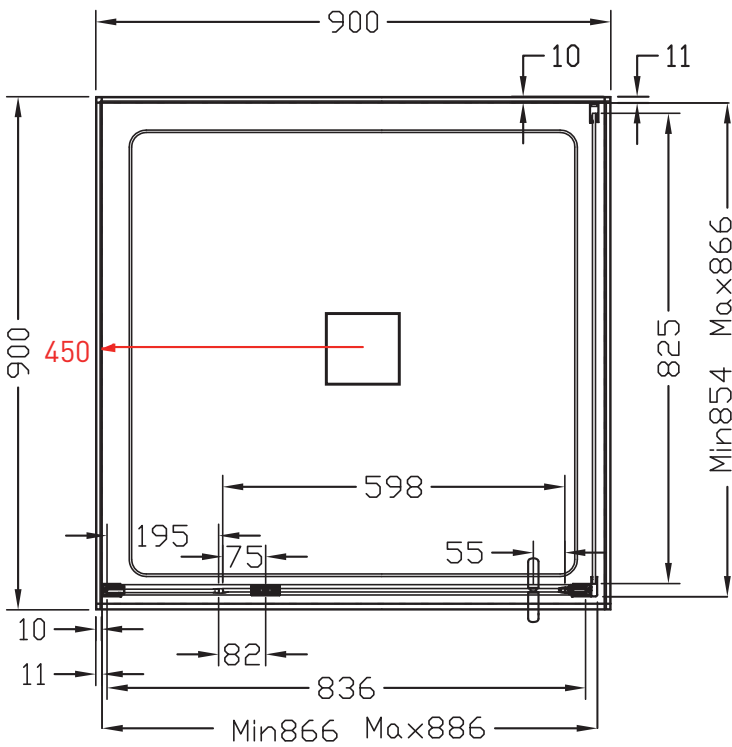
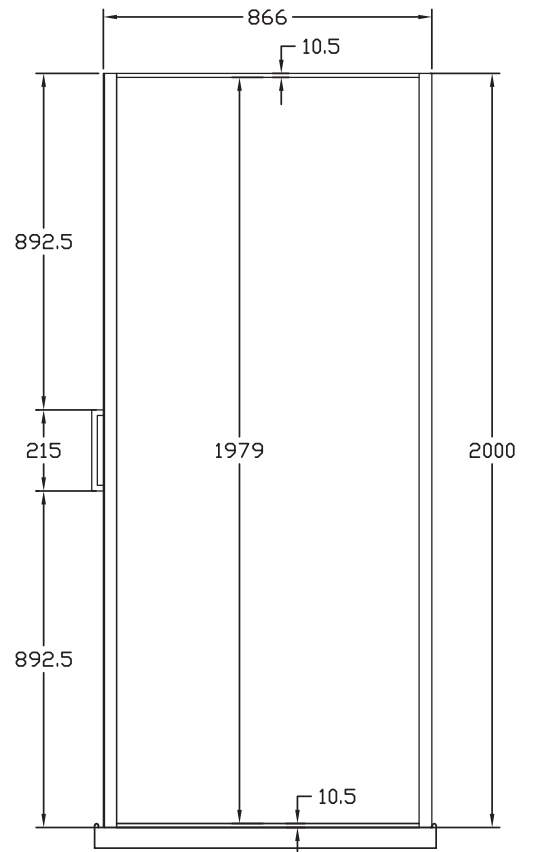
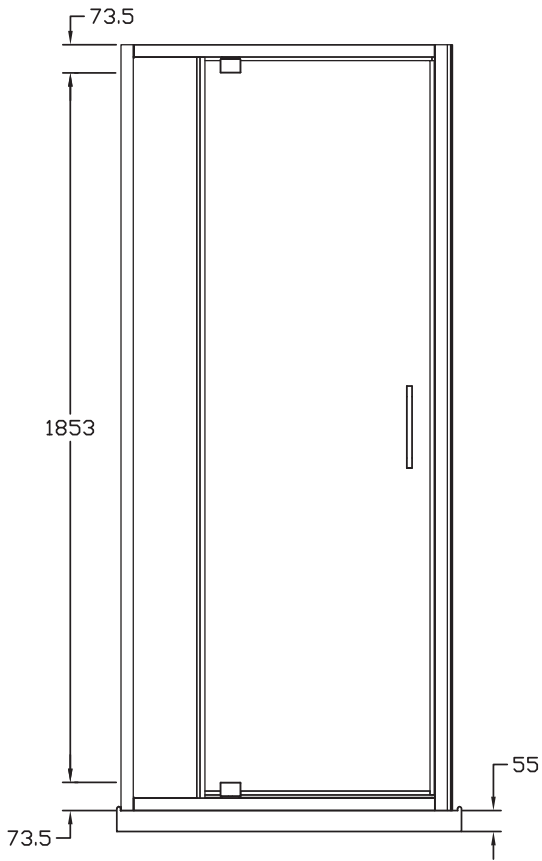
Damage caused by any improper treatment is not covered by the product warranty- refer to Warranty Conditions.

Disclaimer: Products in this specification manual must by regulation be installed by licensed and registered trade people. The manufacturer/distributor reserves the right to vary specifications or delete models from their range without prior notification. Dimensions are nominal measurements only. Dimensions and set-outs listed are correct at time of publication however the manufacturer/distributor takes no responsibility for printing errors.

Tech Page Version 1

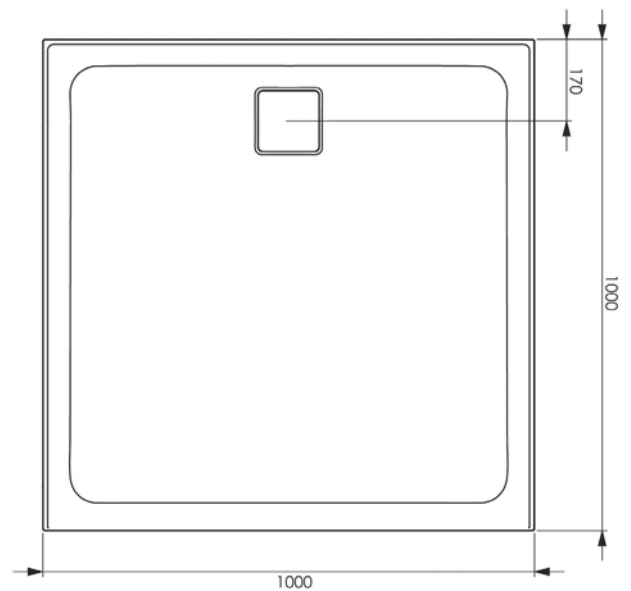
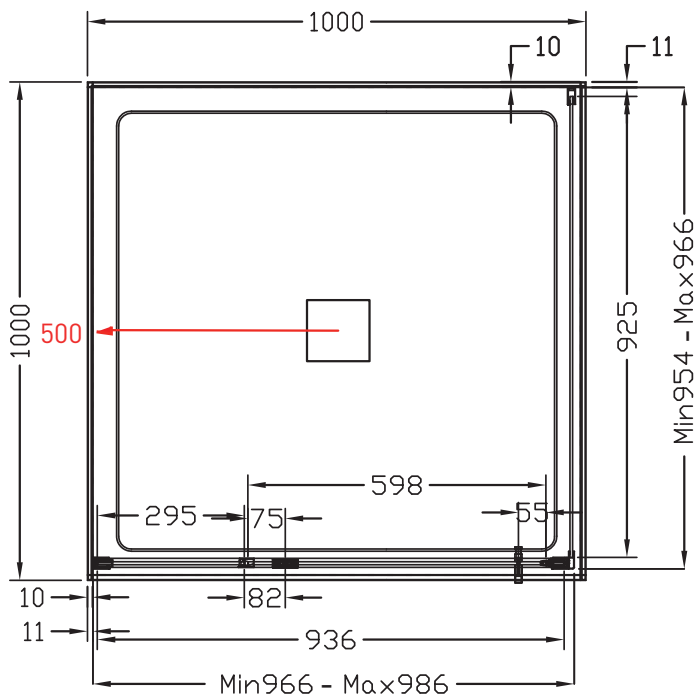
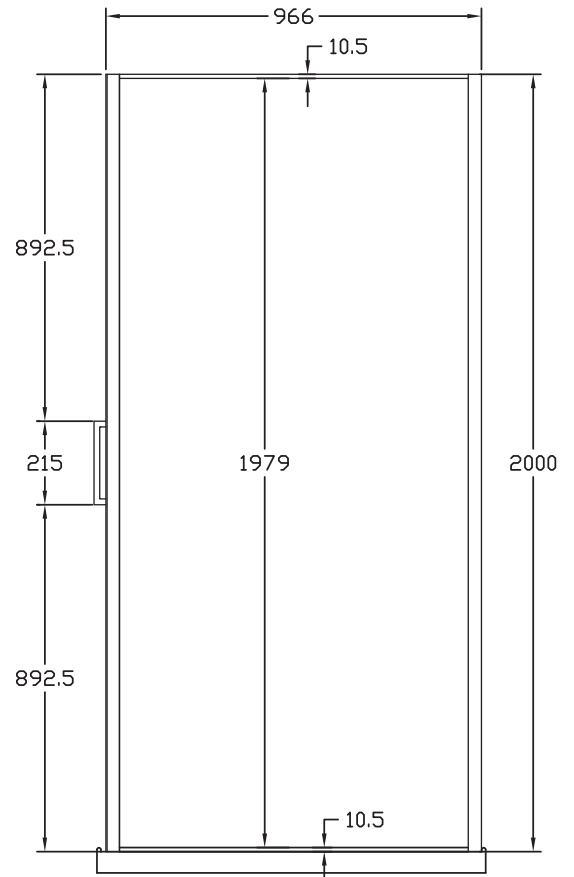
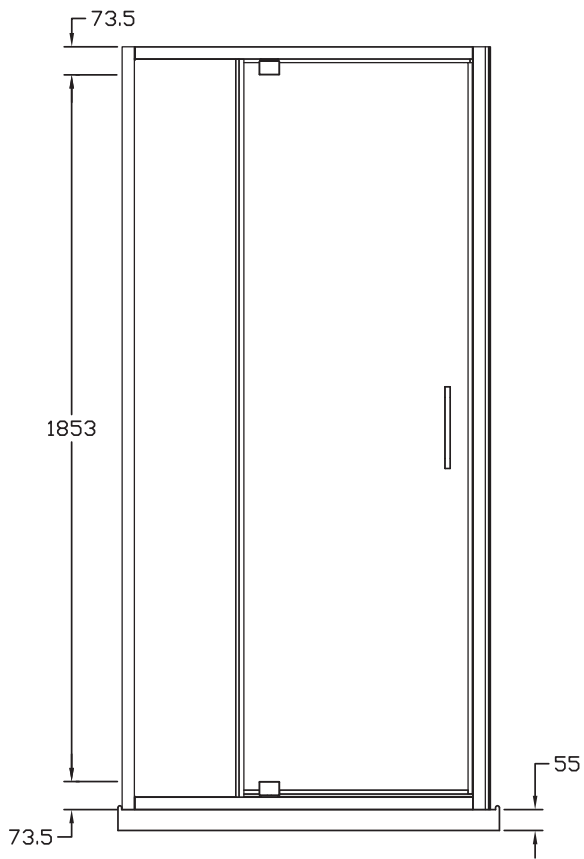
# BASE MKII

## SHOWER SCREEN & BASE



# BASE MKII

## SHOWER SCREEN & BASE



# BASE MKII

## SHOWER SCREEN & BASE

### INSTALLATION INSTRUCTIONS - SHOWER BASE

#### Important Note

The Shower Base can not be used with a Plumbdinger or Flexidinger

## 01 CONTENTS SUPPLIED

#### SHOWER BASE KIT INCLUDES:

- 1 x shower base
- 1 x shower waste

#### SHOWER WALL KIT INCLUDES:

- 1 x shower wall
- 3 x Sika R Showerbond Adhesive
- 1 x Clear Anti-Fungal Silicon



**IMPORTANT NOTE: ONLY USE ADHESIVE OR SILICON SUPPLIED BY DECINA AND FOLLOW THE INSTRUCTIONS ON EACH PRODUCT.**

ENSURE THE "USE-BY" DATE IS CURRENT. WARRANTY MAY BE VOID IF THESE POINTS ARE NOT ADHERED TO.

## 02 TOOLS REQUIRED



Masking Tape



Tape Measure



Soft Pencil



Drill & Drill Bit



Knife



Spirit Level



Hole Saw  
(to suit tapware)



Caulking Gun  
(+ Building Adhesive)

# BASE MKII

## SHOWER SCREEN & BASE

### INSTALLATION INSTRUCTIONS - SHOWER BASE

## 03 PERSONAL PROTECTIVE EQUIPMENT (PPE)

For the safety of the installer, the following items should be used during the installation of Decina products.



a. Protective Clothing



b. Protective Eyewear



c. Protective Gloves



d. Protective Footwear



e. Protective Earwear - whilst using power tools

f. Any other items listed by the manufacturer of the adhesives or sealants used during this installation

## 04 WARNINGS



INSTALLATION OF DECINA PRODUCTS MUST BE CARRIED OUT BY A QUALIFIED TRADESPERSON.

- Inspect the product and all components (listed) **prior to installation**.
- Installation of damaged goods will **void** your Warranty
- Decina acrylic products shall not be used directly adjacent to any direct heat source above 70 degrees Celsius, as this may cause distortion of the product.
- Decina acrylic products will expand and contract with temperature changes, so it is important to allow expansion gaps where shown in this instruction.
- Decina acrylic products may have sharp edges, so always wear appropriate protective clothing and footwear during the installation process.

# BASE MKII

## SHOWER SCREEN & BASE

### INSTALLATION INSTRUCTIONS - SHOWER BASE

## 05 COMPLIANCE REQUIREMENTS

---

Any wet area installation or renovation must comply with the following:

#### BUILDING CODE OF AUSTRALIA

VOLUME ONE - CLASS 2 - 9 BUILDINGS

VOLUME TWO - CLASS 1 AND CLASS 10 BUILDINGS - HOUSING PROVISIONS

---

- BCA 2006 Volume One references AS 3740 - 'Waterproofing of wet areas in residential buildings' as meeting the minimum performance requirements for construction of wet areas in Class 2, 3 and 4 buildings.
- BCA 2006 Volume Two gives detailed waterproofing requirements for various applications. These requirements are for all intents and purposes the same as those provided in AS 3740.

#### AUSTRALIAN STANDARD 3740- 2010

- Waterproofing of Domestic Wet Areas

This standard specifies the requirements for the physical elements of construction including floors, walls, junctions and penetration and the specific areas where these criteria apply including showers.

# BASE MKII

## SHOWER SCREEN & BASE

### INSTALLATION INSTRUCTIONS - SHOWER BASE

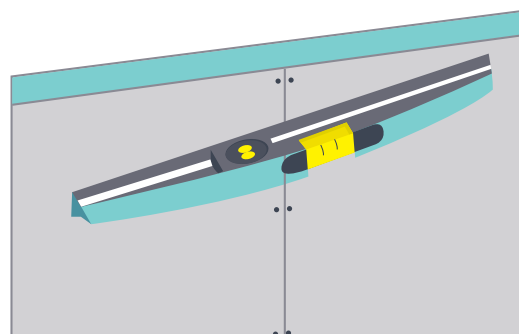
## 06 AREA PREPARATION

To ensure correct installation of Reece shower products, it is important to have the site floor and walls; level; square and plumb to within 5mm overall.



TO NOT DO SO MAY PREVENT CORRECT FITMENT OF A REECE GLASS SHOWER SCREEN ONTO THE SHOWER BASE OR TILES AND MAY AFFECT WATER DRAINAGE OF THE SHOWER BASE.

- To ensure proper bond of the Reece shower products, the floor and wall area must be smooth, clean, dry, unpainted and **unsealed**.
- For shower wall applications, installation can only be on new wet area sheets, to ensure effective bond of the adhesives and sealants.
- All floor and wall surface joints and fixings must be flush to prevent unevenness on the Reece shower products, potentially causing stress points or unsightly bulges.
- Reece shower bases and shower walls must be fitted to a structurally sound solid surface that does not flex under load. This will prevent unevenness in the product or potential weak spots.



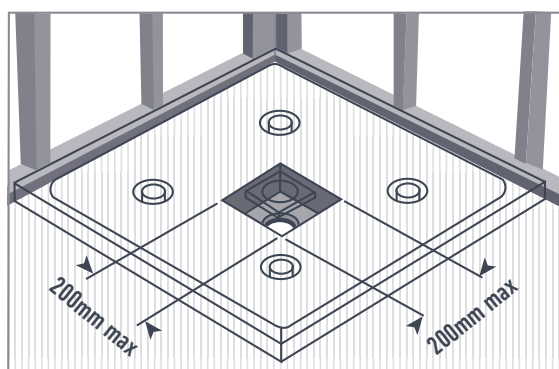
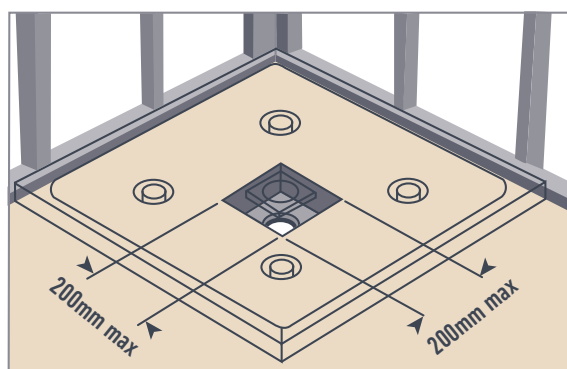
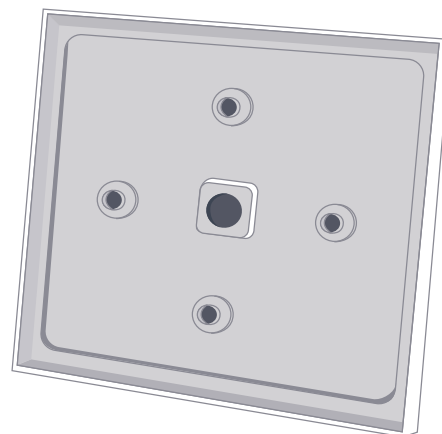
# BASE MKII

## SHOWER SCREEN & BASE

### INSTALLATION INSTRUCTIONS - SHOWER BASE

## 07 SHOWER BASE SITE PREPARATION

- Reece shower bases **do not** require installation on a cement slurry mortar base, as they are fitted with **self-supporting feet**.
- To ensure proper drainage of water to the waste and also for correct installation of an optional Reece shower screen, the floor area under the shower base must be flat and level to within 2mm over the width of the proposed base installation area.
- For concrete floor installations, if the floor installation area is un-even or un-level, the floor should be re-levelled using a cement based self levelling compound (eg. ARDEX L292 or similar as per manufacturer's instructions).
- For timber or panel floor installations, it is necessary to first lay a suitable fibre cement floor underlay sheet (eg. James Hardie Ceramic Tile Underlay or similar as per manufacturer's instructions). The underlay must be laid level and all fixings set flush with the surface to avoid unevenness.
- Ensure the waste trap hole in the floor is no greater than 200 x 200mm and does not encroach on the position of the self supporting feet.
- For timber or panel floor installations, ensure the waste trap hole does not result in the weakening of the floor, as the Reece shower base does not form part of the building integrity. If weakened, the opening should be suitably reinforced to provide a structurally sound and flex resistant floor once complete.



- Before the shower base can be installed, the choice of wall construction and wall lining method must be determined. The choice will determine which of the following methods should be followed:



# BASE MKII

## SHOWER SCREEN & BASE

### INSTALLATION INSTRUCTIONS - SHOWER BASE

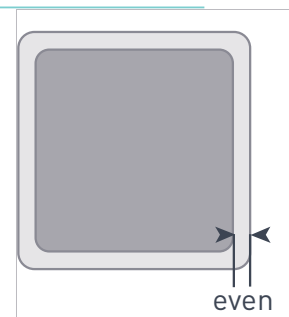
## 08 SHOWER BASE INSTALLATION FOR ACRYLIC SHOWER WALL APPLICATIONS

- a. For shower wall applications the shower base does not need checking into the stud wall. It can be simply pushed against the stud frame. The shower base can be installed before the wet area sheet is applied.
- b. If the shower base is to be installed after the wet area sheet is installed, the wet area sheet will need to be cut away to allow the base to sit against the stud wall, allowing a 6mm gap all around the shower base.
- c. Prior to installation remove plastic film from the base and inspect for any damage.



**DO NOT COMPLETELY REMOVE THE PROTECTIVE FILM AT THIS STAGE**

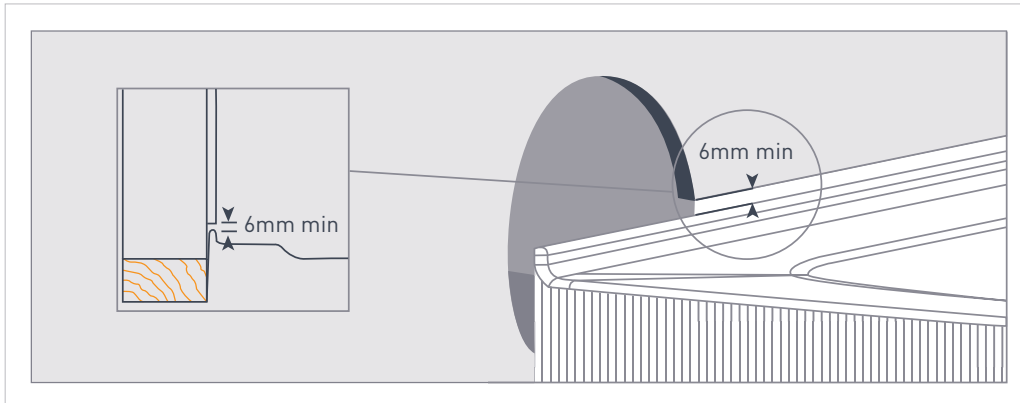
- d. Qualified tradesperson should assemble the waste and adjoining plumbing. The waste assembly should be checked to ensure it's located centrally in the shower base waste hole for best appearance. The locking nut should be kept loose until the Chrome top cover is located and sits centrally in the hole, with equal spacing around all sides. Once satisfied, tighten the lock ring on the waste assembly back and then remove the chrome waste cover until the end of the installation for protection.
- e. Ensure the floor surface is clean and dry. Apply a generous amount of building adhesive to the shower base self-supporting feet - suitable for concrete bond (adhesive not supplied – eg. Liquid Nails or similar).
- f. Position the shower base against the wall studs and push the shower base down firmly to bed the feet against the floor. Recheck the shower base level and conduct a water test to ensure full drainage to the waste. Re-level the base as required whilst adhesive is still uncured.
- g. Allow the shower base to cure for at least 24 hrs. as per the adhesive manufacturer's instructions before installing the wall sheeting. This ensures the level will not change by standing on it.
- h. Once the shower base bond is fully cured, the wet area sheeting can be applied over the shower base tile bead as per the relevant wet area sheet manufacturer's instructions. The wet area sheet should sit over the top edge of the tile bead. Ensure the wet area sheet is installed at least 6mm above the shower base tile bead for expansion.



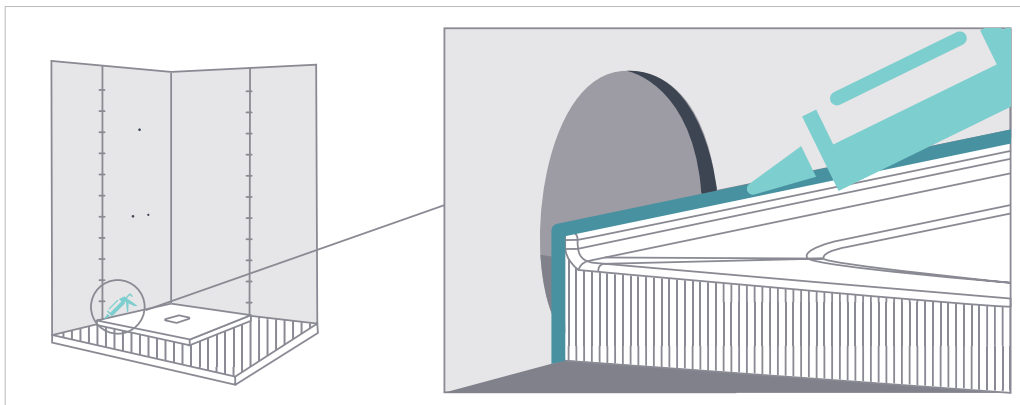
# BASE MKII

## SHOWER SCREEN & BASE

### INSTALLATION INSTRUCTIONS - SHOWER BASE

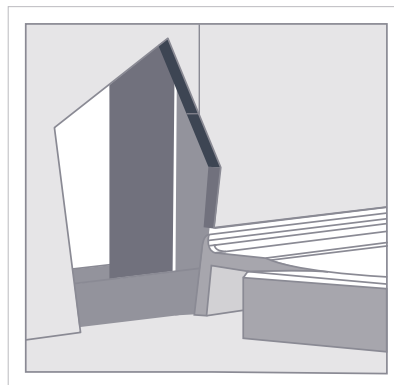


Once sheeting is completed, use a flexible waterproof sealant (not supplied) to seal the gap between the shower base tile bead and the wet area sheet.



**FOR STEEL STUD WALL FRAMES WITH ACRYLIC SHOWER WALL APPLICATIONS - SEE BELOW**

- **NOTE:** As a steel wall stud should not be cut, it is necessary to build out the wall level to clear the shower base tile bead thickness.
- A suitable wet area sheet product of no less than 12mm thickness is required to achieve the desired level. Use of either a 13mm Wet Area Plasterboard or 12mm Wet Area Fibre Cement sheet is advised.
- Install the chosen 12 or 13mm wet area sheet product bottom edge at least 6mm above the tile bead (as per relevant manufacturer's instructions).
- Once sheeting is completed, use a flexible waterproof sealant (not supplied) to seal the gap between the shower base tile bead and the wet area sheet.



# BASE MKII

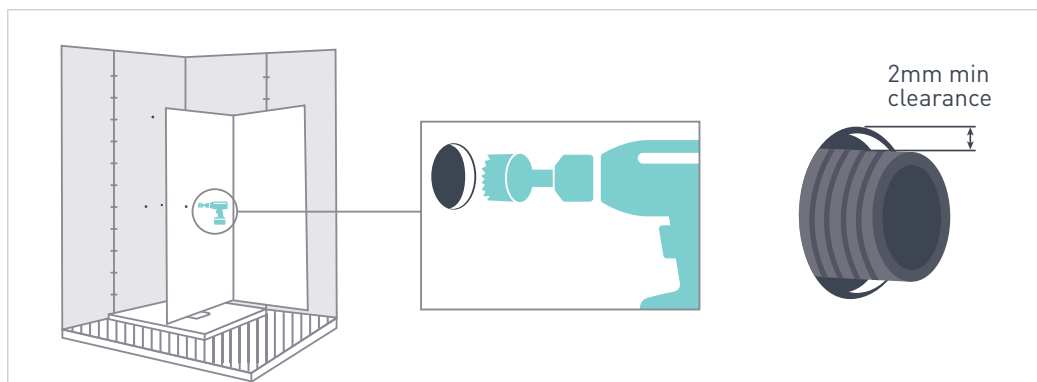
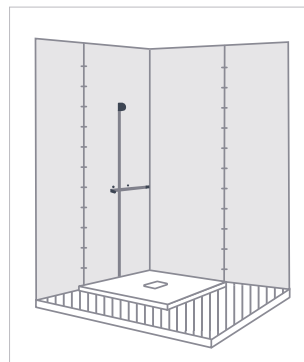
## SHOWER SCREEN & BASE

### INSTALLATION INSTRUCTIONS - SHOWER BASE

## 09 ACRYLIC SHOWER WALL LINER INSTALLATION

### DRILLING TAP HOLES IN ACRYLIC WALL

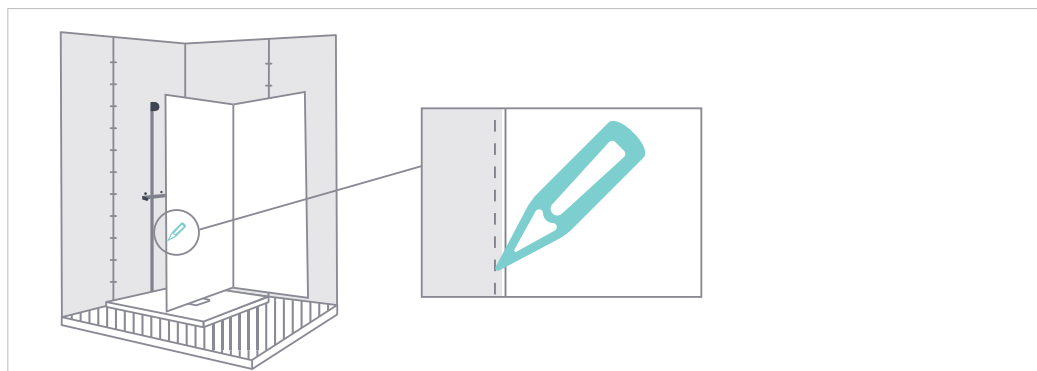
- Have a qualified tradesperson install the shower fittings. Mark the position of the holes for the fittings on acrylic shower wall.
- Large holes must be drilled with a **fine tooth** hole saw.
- Holes should be drilled from the outside show face only
- Ensure all final hole sizes have at least a 2mm clearance around tap fittings for expansion.



### ATTACHING THE ACRYLIC SHOWER WALL

#### Positioning shower wall

- Trial position the shower wall against the shower recess, ensuring it fits squarely into the recess corner and shower base.
- Tape the corners with masking tape to hold the liner in position.
- Use a soft pencil to mark around the edges of the shower wall before removing.



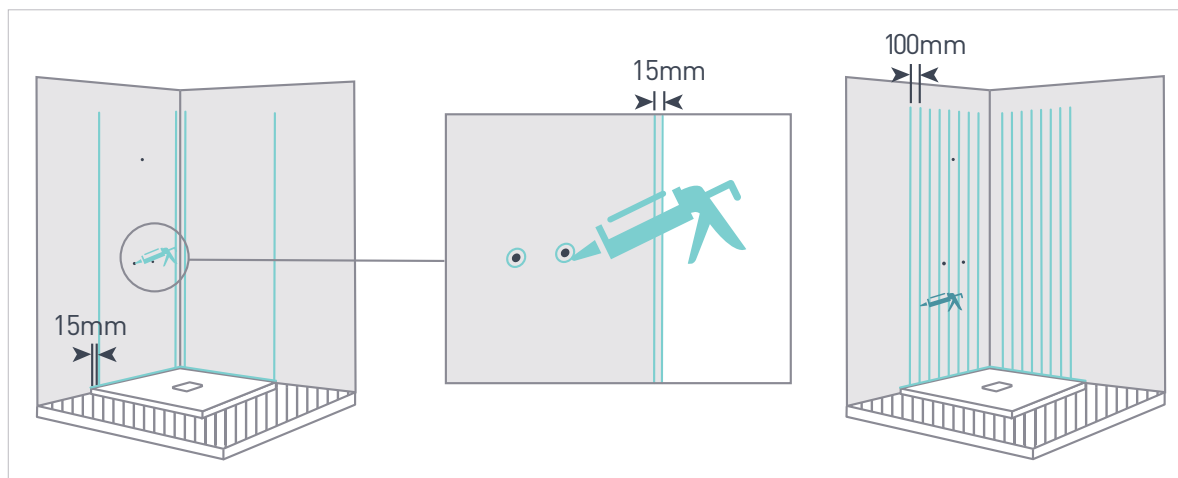
# BASE MKII

## SHOWER SCREEN & BASE

### INSTALLATION INSTRUCTIONS - SHOWER BASE

#### ADHERING ACRYLIC SHOWER WALL

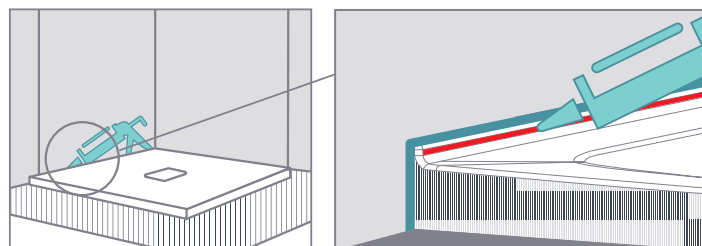
- Prepare area by wiping down the shower wall, base and wet area sheet ensuring it is clean and dry.
- The shower wall is adhered to the wet area sheet using Sika Showerbond adhesive supplied. **Only** this adhesive should be used, as other brands may fail over time. Please read the manufacturer's instructions on the back of the Showerbond cartridge before use.
- Using the marked pencil lines as your guide and starting from the outside, apply the adhesive as per diagram below. Apply a continuous 5mm bead of adhesive onto the wet area sheet, 15mm minimum from the side and bottom edges. **Do not put any adhesive along the top edge**, as this will seal the wall and not allow expansion of air to escape during use – causing buckling of the wall.
- Apply a bead of adhesive around the tap fittings, with 15mm clearance on all sides.
- Apply vertical lines of Showerbond adhesive on the wet area sheet, 100mm apart to cover the remainder of the wall area.



- Before fitting the shower wall, apply a bead of silicone sealant supplied along the inside face of the tile bead upstand of the shower base as shown below.

#### NOTE:

- THE SILICON SHOULD NOT BE VISIBLE ONCE THE WALL IS FITTED
- STORE SILICON FOR USE THE FOLLOWING DAY.



# BRISTOL

## SHOWER SCREEN & BASE

### INSTALLATION INSTRUCTIONS - SHOWER BASE



**YOU WILL ONLY  
HAVE 20 MINS  
TO COMPLETE  
THE GLUEING  
PROCESS**

#### FIXING ACRYLIC SHOWER WALL

- Place the wall into position ensuring that the corner area is pressed into place first. Note the bottom edge of the shower wall should be sitting hard on the shower base, in front of the tile bead.
- Remove the shower wall from position for approximately 5 seconds to allow the adhesive to aerate.
- Reposition the shower wall liner. Use a damp cloth and press towards the edges to ensure full contact has been made over the entire shower liner area.
- Ensure site is left for 20 minutes to cure and then brace as required to hold in position.
- Bracing should remain in position for not less than 18 hours for complete curing.

#### AFTER INSTALLATION

Once wall lining adhesion is fully cured, remove the protective film on the shower wall liner completely.

- Apply silicone sealant provided around the tap hole penetrations to waterproof the gaps. A qualified tradesperson can now fit the tap sets over the wall liner.



**DO NOT USE THE SHOWER FOR AT LEAST 24 HOURS AFTER FINAL INSTALLATION TO ALLOW FOR FULL CURE.**

# BRISTOL

## SHOWER SCREEN & BASE

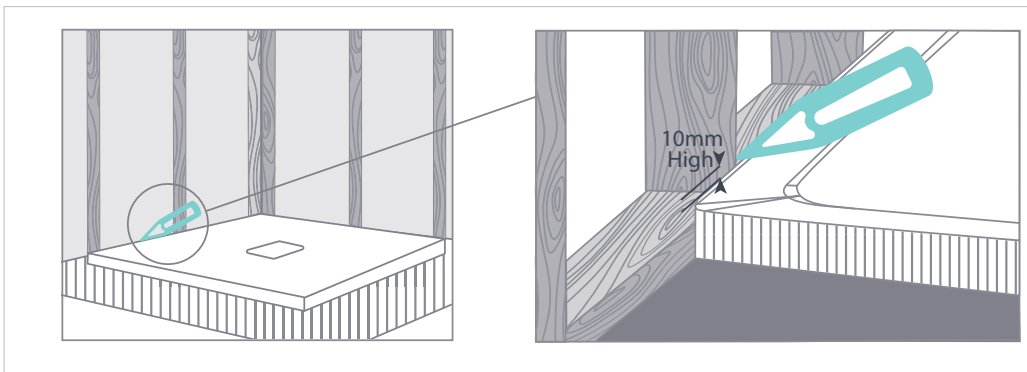
### INSTALLATION INSTRUCTIONS - SHOWER BASE

## 10 SHOWER BASE INSTALLATION FOR TILE WALL APPLICATIONS

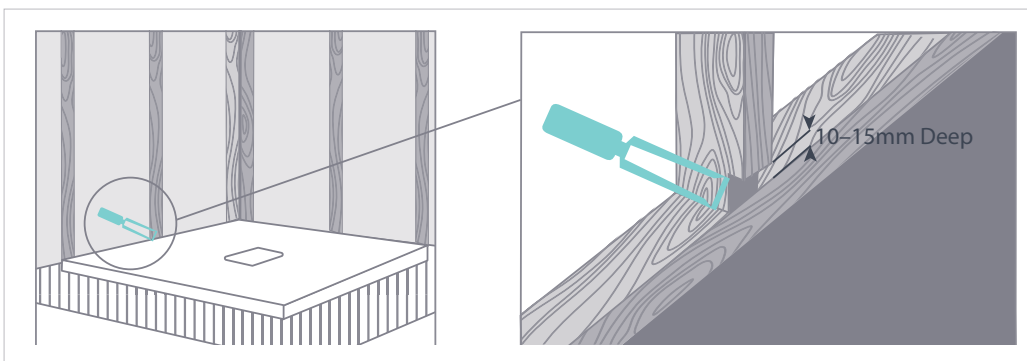
For tile wall applications it is important that the bottom edge of the wet area sheet sits in front of the shower base tile bead - the following steps are required to prepare the wall.

### WALL PREPARATION FOR TIMBER STUD WALL FRAMES ON TILE LINING INSTALLATIONS

- Locate the shower base against the timber stud wall and mark the position of the base along the studs and down the shower base sides at a distance of 10mm greater with a pencil.



- With a chisel, check out the timber frame to a depth of between 10-15mm. This allows the shower base tile bead to sit behind the final wet area sheeting for waterproofing.



### TRAY INSTALLATION FOR TILE WALL APPLICATIONS

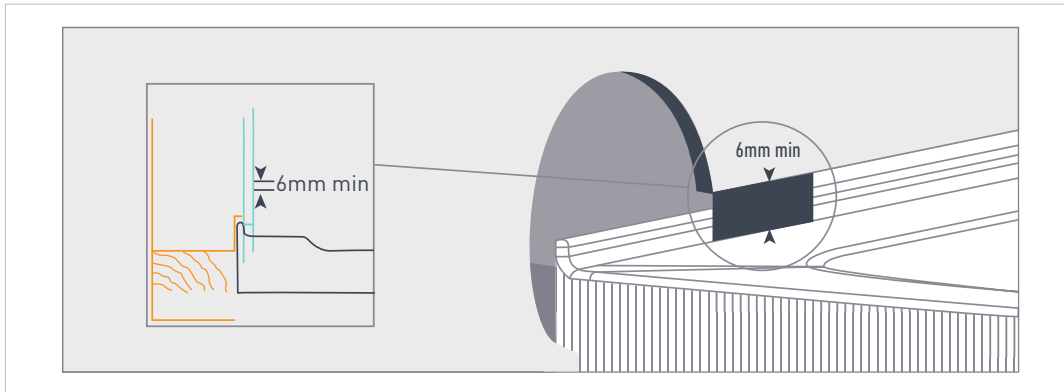
Refer Steps A - G Section 10

- Allow the shower base to cure for at least 24 hrs as per the adhesive manufacturer's instructions before installing the wall sheeting. This ensures the shower base level will not change by standing on it.
- Once the shower base bond is fully cured, the wet area sheeting can be applied over the shower base tile bead as per the relevant wet area sheet manufacturer's instructions. The wet area sheet should sit over the front of the tile bead. Ensure the wet area sheet is installed at least 6mm above the shower base floor level, for expansion.

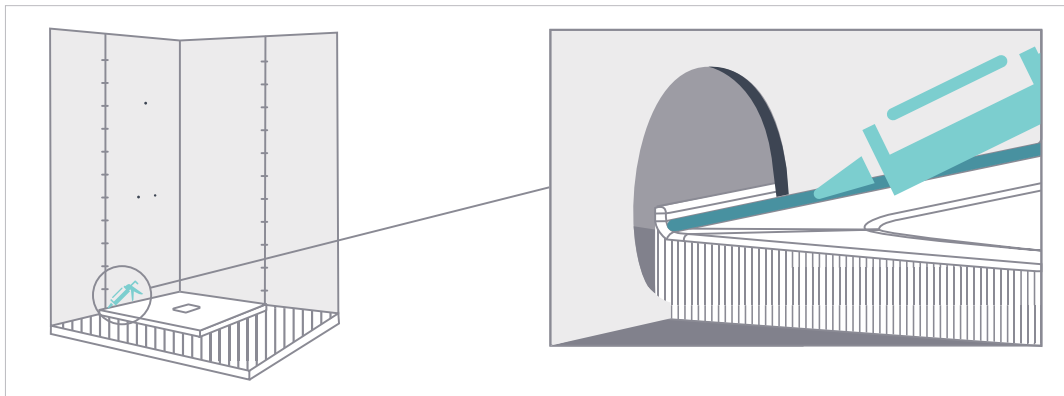
# BRISTOL

## SHOWER SCREEN & BASE

### INSTALLATION INSTRUCTIONS - SHOWER BASE



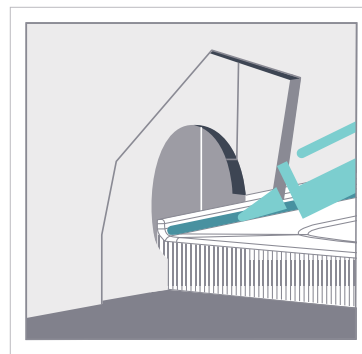
- Once sheeting is completed, use a flexible waterproof sealant (not supplied) to seal the gap between the shower base and the wet area sheet.



#### WALL PREPARATION FOR STEEL STUD WALL FRAMES ON TILE WALL INSTALLATIONS - SEE BELOW

**NOTE:** As a steel wall stud should not be cut, it is necessary to build out the wall level to clear the shower base tile bead thickness. On top of this a thinner 6mm wet area sheet is installed down inside the tile bead, this will provide support behind the bottom row of tiles. (See instructions below)

- A suitable **wet area sheet** product of no less than 12mm thickness is required to achieve the desired level. Use of either a 13mm wet area plasterboard or 12mm wet area fibre cement sheet is advised.
- Install the chosen 12 or 13mm wet area sheet product bottom edge at least 6mm above the tile bead (as per relevant manufacturer's instructions).
- Once completed the final 6mm wet area sheet can be installed onto the 12 or 13mm wet area sheet. Ensure the 6mm wet area sheet is installed at least 5-6mm above the shower base for expansion.
- Once sheeting is completed, use a flexible waterproof sealant (not supplied) to seal the gap between the shower base and the 6mm wet area sheet.



# BRISTOL

## SHOWER SCREEN & BASE

### INSTALLATION INSTRUCTIONS - SHOWER BASE

## 10 CLEANING & MAINTENANCE

---

If your shower base or shower wall are given the proper care, the lustrous surface of the acrylic will retain its appearance for many years.

It is very easy to clean using water with a small amount of detergent or mild soap. Chamois, soft cloth or sponge is suitable for cleaning but cloths must never be used dry.



**DO NOT USE WINDOW CLEANER , BENZENE, TOLUENE, ACETONE, METHYL ETHYL KETONE OR STRONG CONCENTRATED ACIDS, ETC**

**DO NOT USE ABRASIVE SUBSTANCES AND ABRASIVE CLEANERS.**

**TO REMOVE PAINT, GREASE OR TAR USE A GOOD GRADE OF ISOPROPYL ALCOHOL.**

---

Fine hairline scratches may be minimized by the use of a mild polish such as Brasso, which has a mild abrasive action and tends to fill small scratches to make them less visible.



# BASE MKII

## SHOWER SYSTEMS

### INSTALLATION INSTRUCTIONS : SHOWER SCREEN

#### Important Note

## Important Pre-Installation Information

- Please read this entire instruction book before commencing installation.
- A licenced tradesman must be used for the installation.
- Ensure there is a gasket between all glass and metal components.
- Leave the plastic protectors on the glass corners until the last possible moment and handle with care.
- Instructions to install the shower tray are included with the shower tray.
- In cold climates, warming the gaskets and seals with hot water or a hairdryer will assist installation.

## Maintenance

If water alone is not enough to clean the glass, Decina recommends the use of mild detergent solutions only.

## Tools Required



Silicone Sealant



Drill



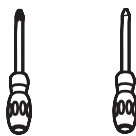
Level



Rubber Mallet



Pencil



Phillips Screwdriver



Tape Measure



Cutting Pliers



Utility Knife



6mm (1/4") and  
3mm (1/8") Drill Bits

\*\*



Safety Goggles

\*\*



Gloves

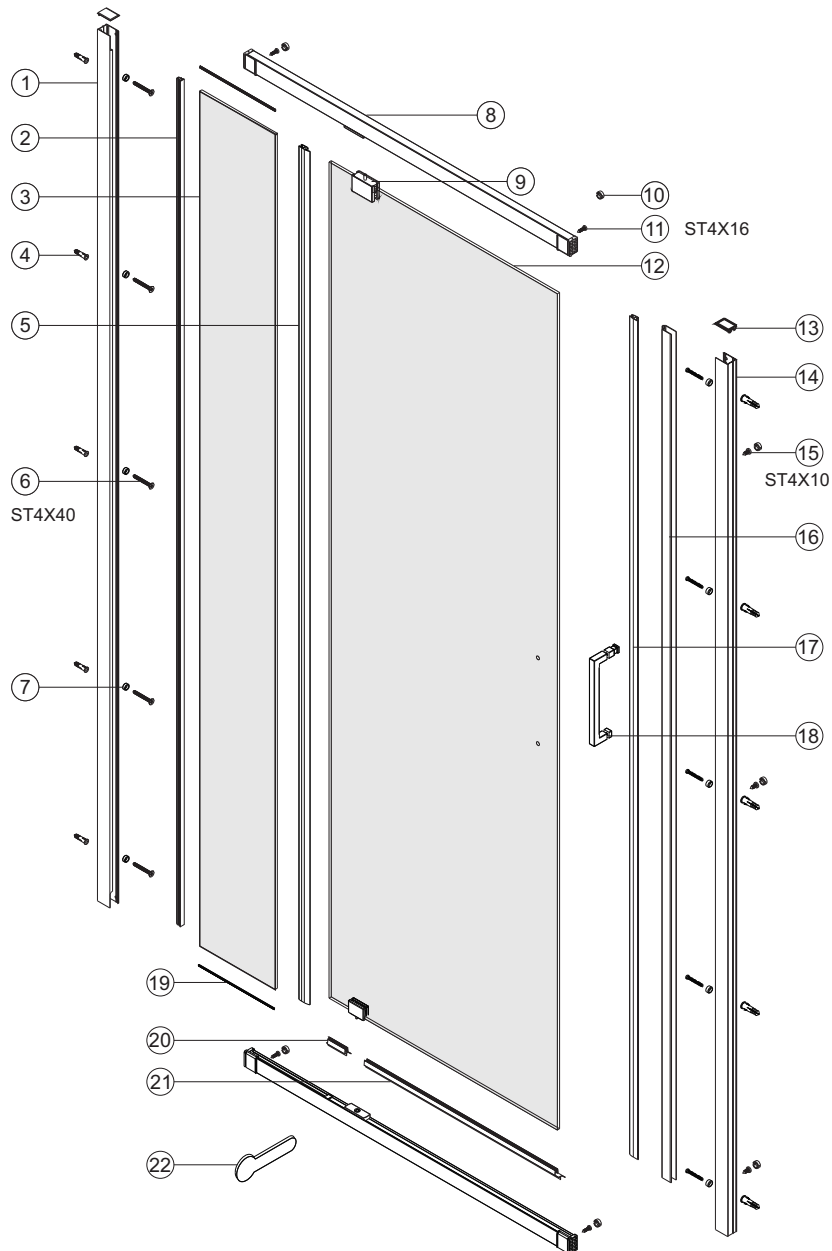
\* Use the correct type of drill bit for the material being drilled, with 6mm required for anchor fixing and 3mm used for screwing directly into the wall studs.

\*\* As with all toughened glass, take care while handling and wear safety goggles and gloves for personal protection.

# BASE MKII SHOWER SYSTEM

## INSTALLATION INSTRUCTIONS : SHOWER SCREEN

### Parts List of Door



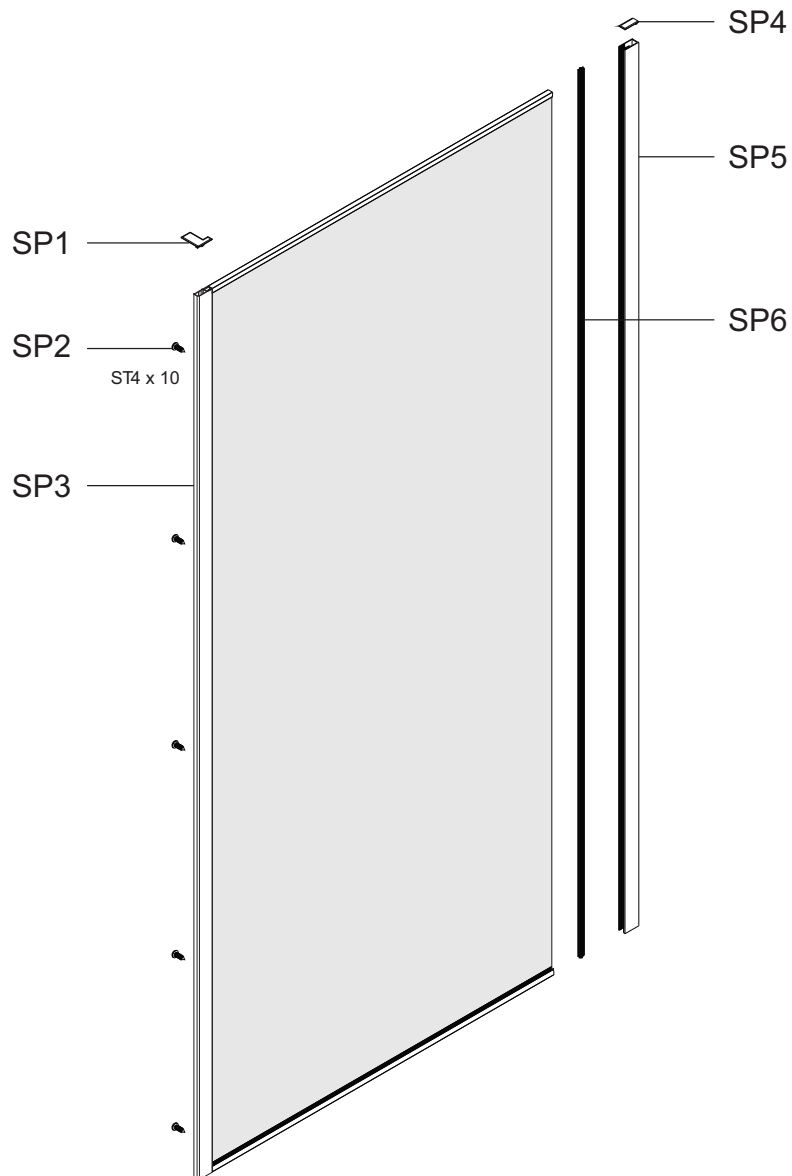
NO	Qty	Description
1	1	Wall channel
2	1	Squeeze gasket
3	1	Fixed panel
4	10	Wall anchor
5	1	Side gasket
6	10	Screw ST4X40
7	10	Washer
8	2	Rail
9	2	Pivot cap
10	7	Screw cap
11	4	Screw ST4X16

NO	Qty	Description
12	1	Glass door
13	2	Wall channel cap
14	1	Wall channel
15	3	Screw ST4X10
16	1	Magnet channel
17	1	Magnet gasket
18	1	Handle
19	2	Squeeze gasket
20	1	Bottom gasket
21	1	Bottom gasket
22	1	Gasket tool

# BASE MKII SHOWER SYSTEM

## INSTALLATION INSTRUCTIONS : SHOWER SCREEN

### Parts List of Return



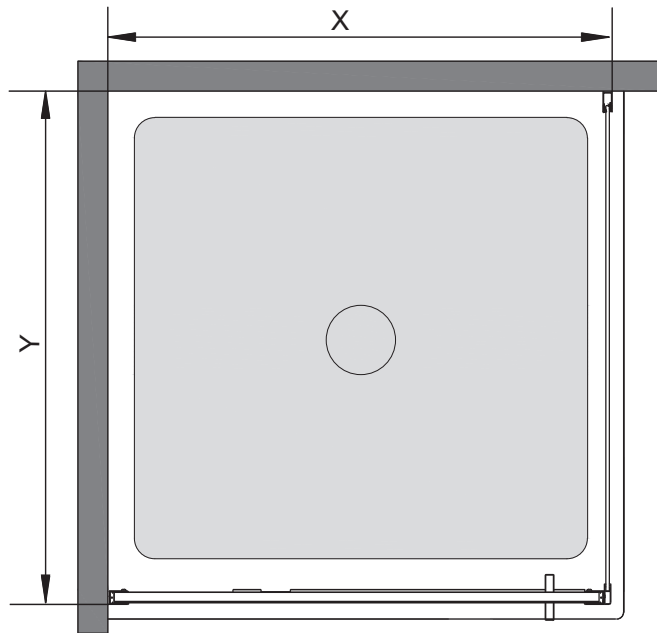
NO	Qty	Description
1A	1	Channel cap L
1B	1	Channel cap R
2	5	ST4 x 10
3	1	Return panel assembling
4	1	Channel cap extrusion
5	1	Wall Channel
6	1	Squeeze gasket

# BASE MKII SHOWER SYSTEM

## INSTALLATION INSTRUCTIONS : SHOWER SCREEN

### Determining Wall Channel Location

When commencing step 1 on the following page, please refer to this drawing and the tabulated dimensions for your size of system to assist in the correct location of the wall channels.



Size	X
900	868-888
1000	968-988

Size	Y
900	854-866
1000	954-966

- Locate the size of your shower screen in column 1 and use the value for X and Y on the same line to find the distance from the shower wall to the outside edge of the wall channels. If a shower base is fitted, do not measure from the edge of the shower base to determine the position of the wall channel.
- If your wall and shower base are not at right angles the glass will not push fully into the wall channel at the top or bottom. This misalignment is acceptable if not exceeding 15mm, however the overall shower size will then increase by the amount of this misalignment.
- If the screen footprint does not turn out square while the aluminium braces are being installed (step 3), the glass can be pulled out from the full depth of the channel by up to 15mm to assist in squaring.

# BASE MKII SHOWER SYSTEM

## INSTALLATION INSTRUCTIONS : SHOWER SCREEN

1

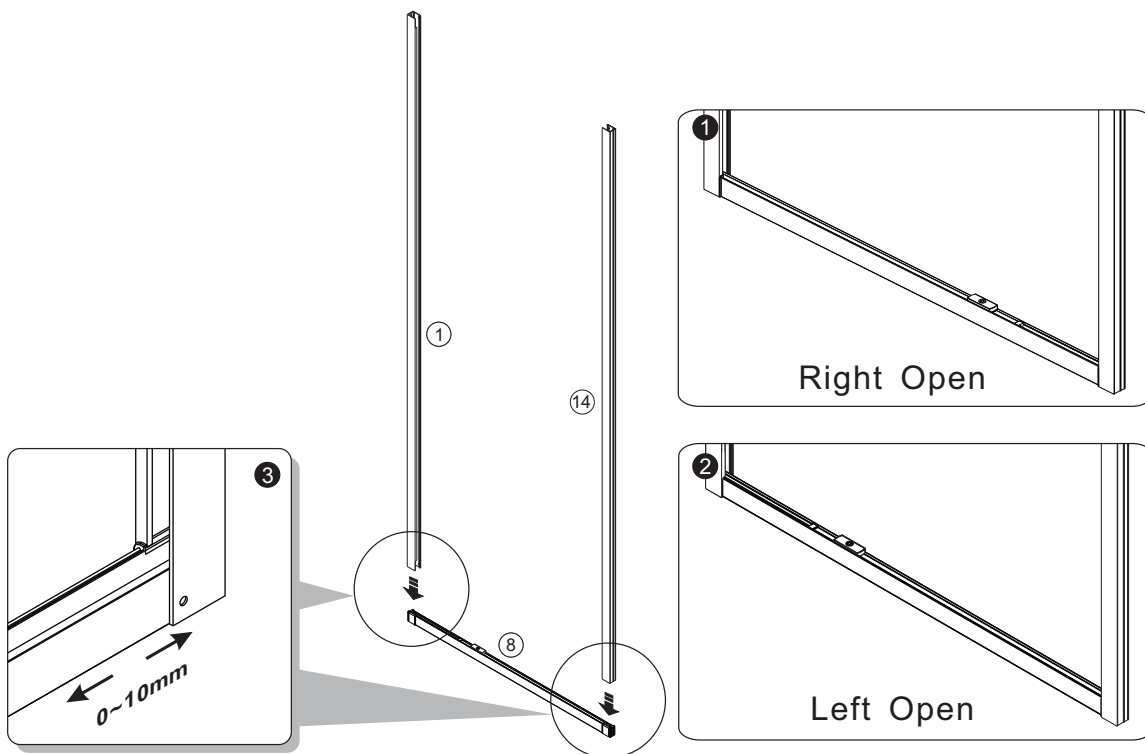
Size	X
900	868-888
1000	968-988
1200	1168-1188

2

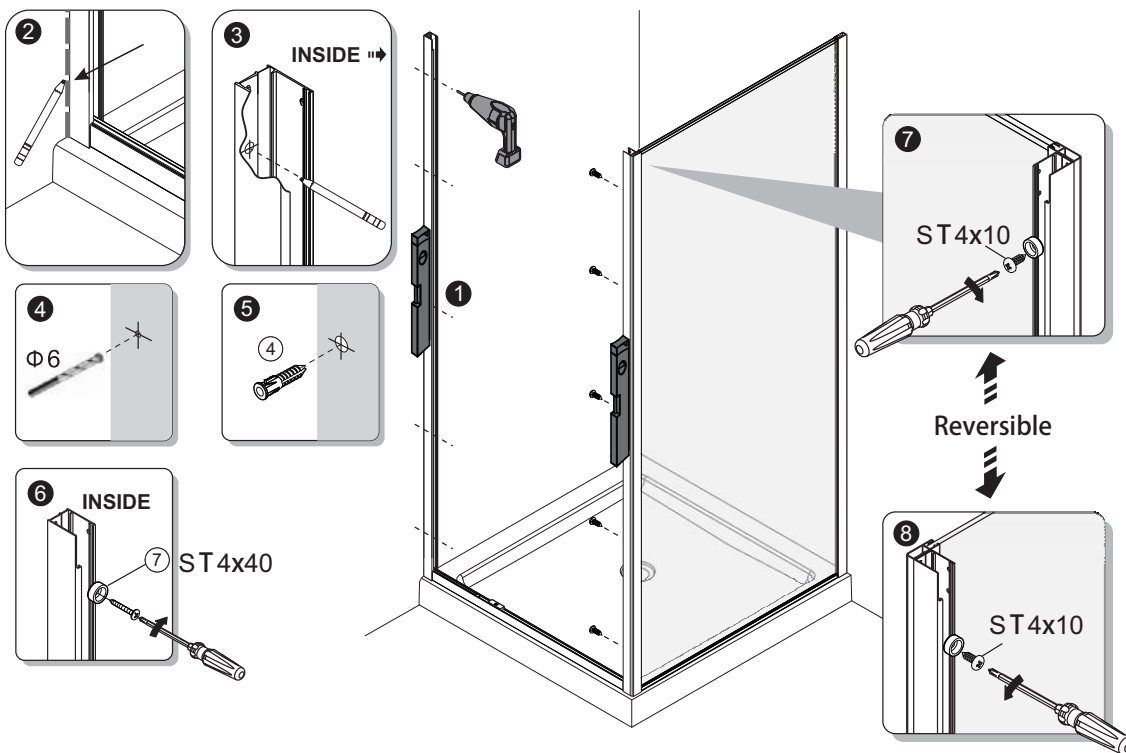
# BASE MKII SHOWER SYSTEM

## INSTALLATION INSTRUCTIONS : SHOWER SCREEN

### 3



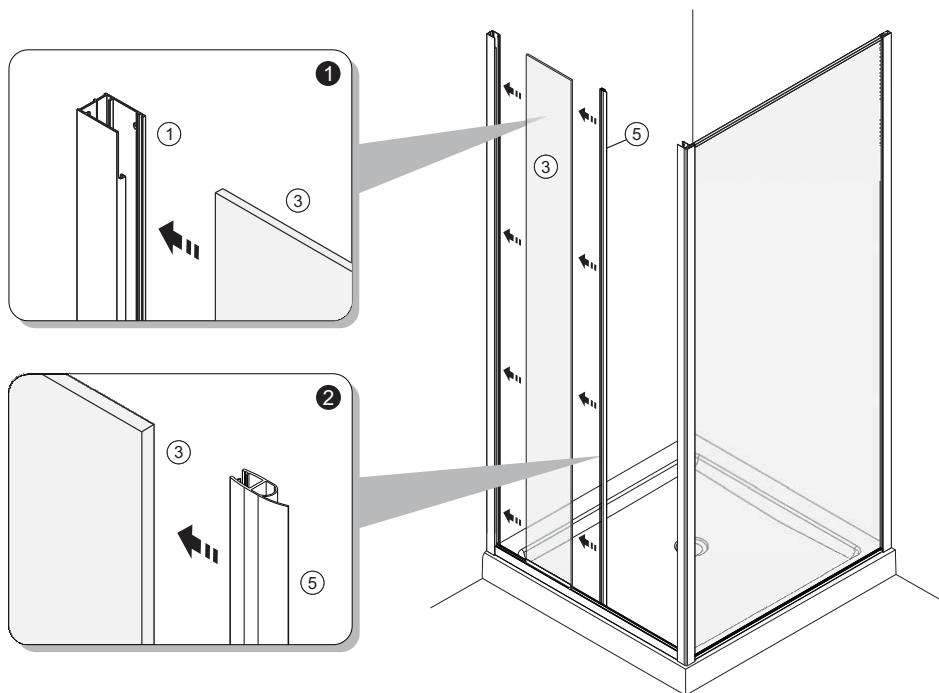
### 4



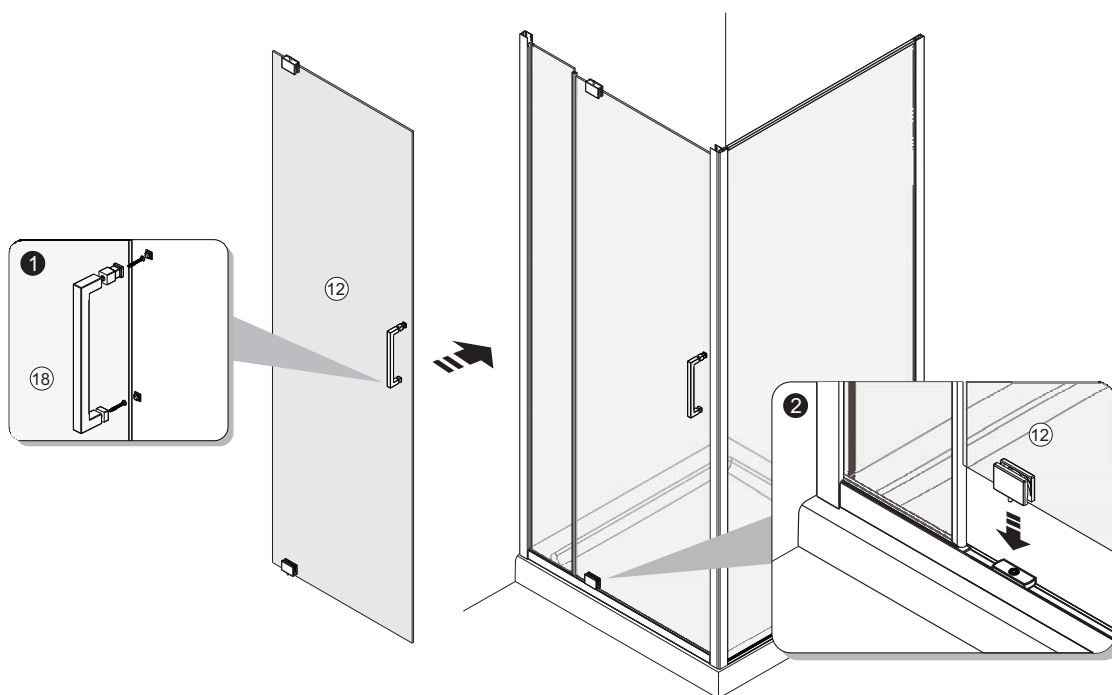
# BASE MKII SHOWER SYSTEM

## INSTALLATION INSTRUCTIONS - SHOWER SCREEN

### 5



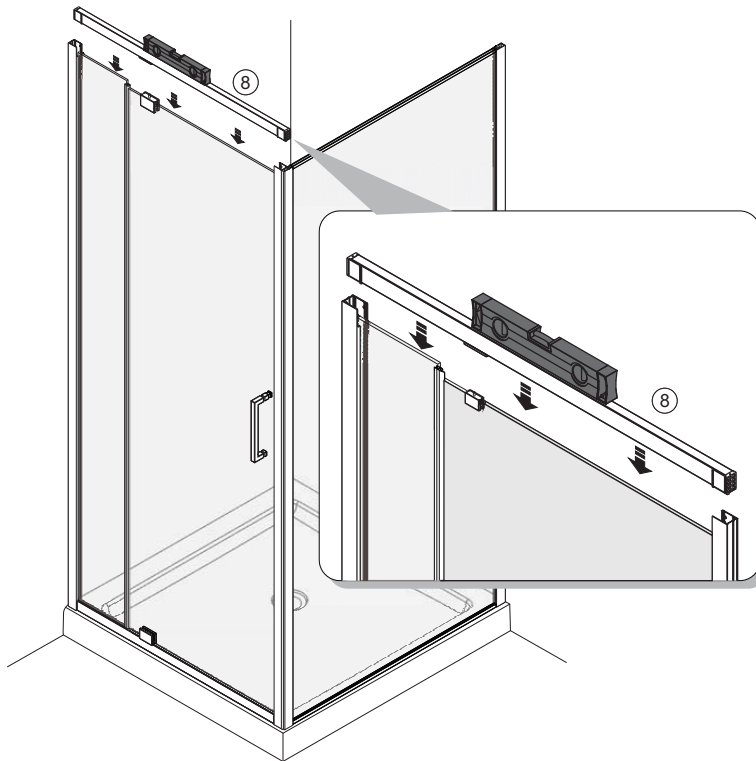
### 6



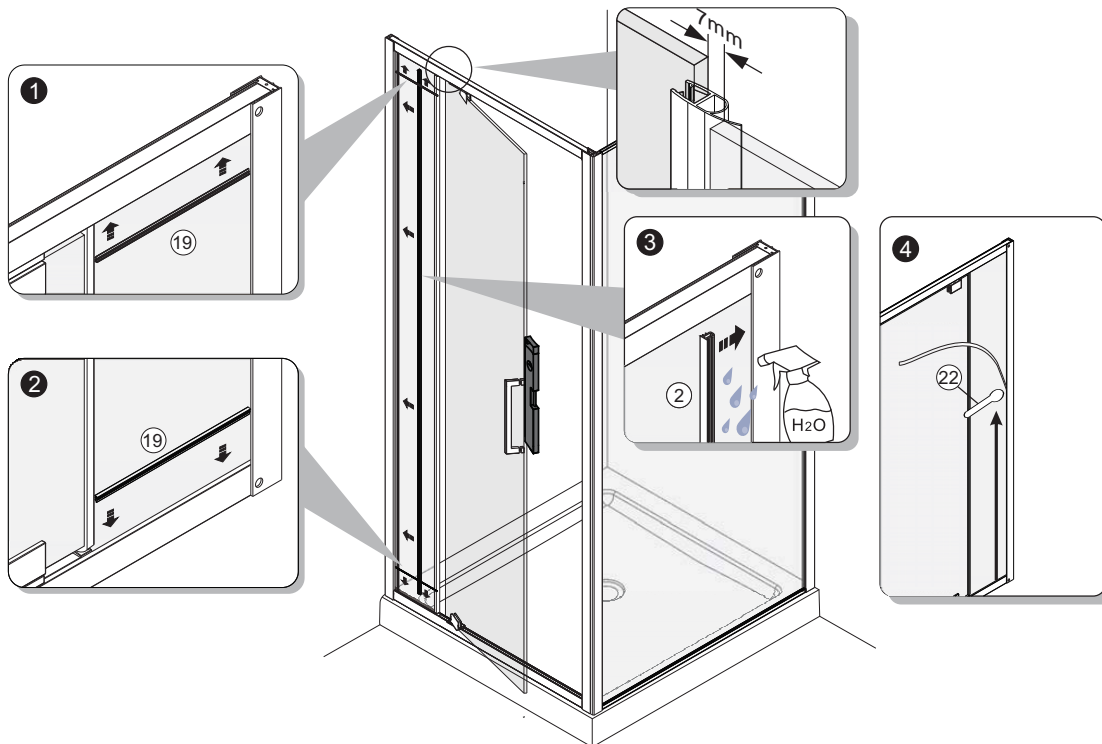
# BASE MKII SHOWER SYSTEM

## INSTALLATION INSTRUCTIONS : SHOWER SCREEN

### 7



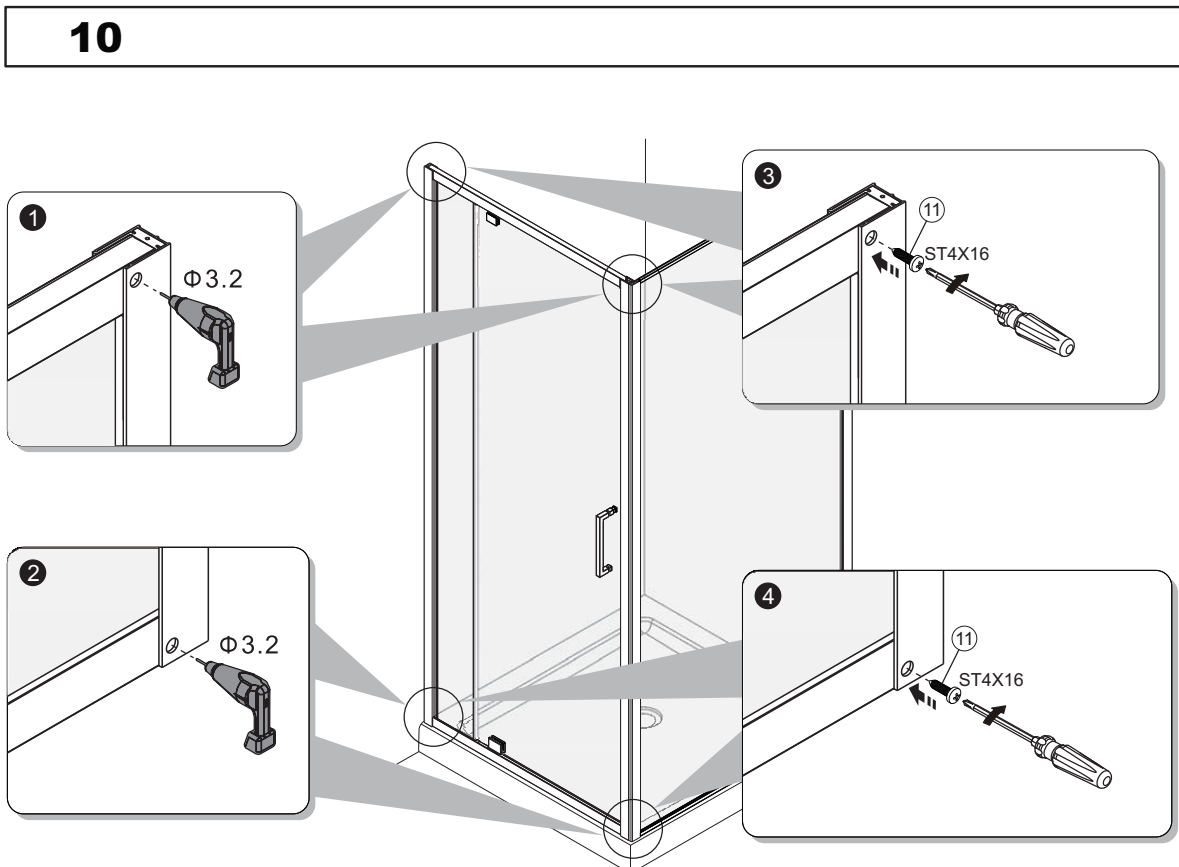
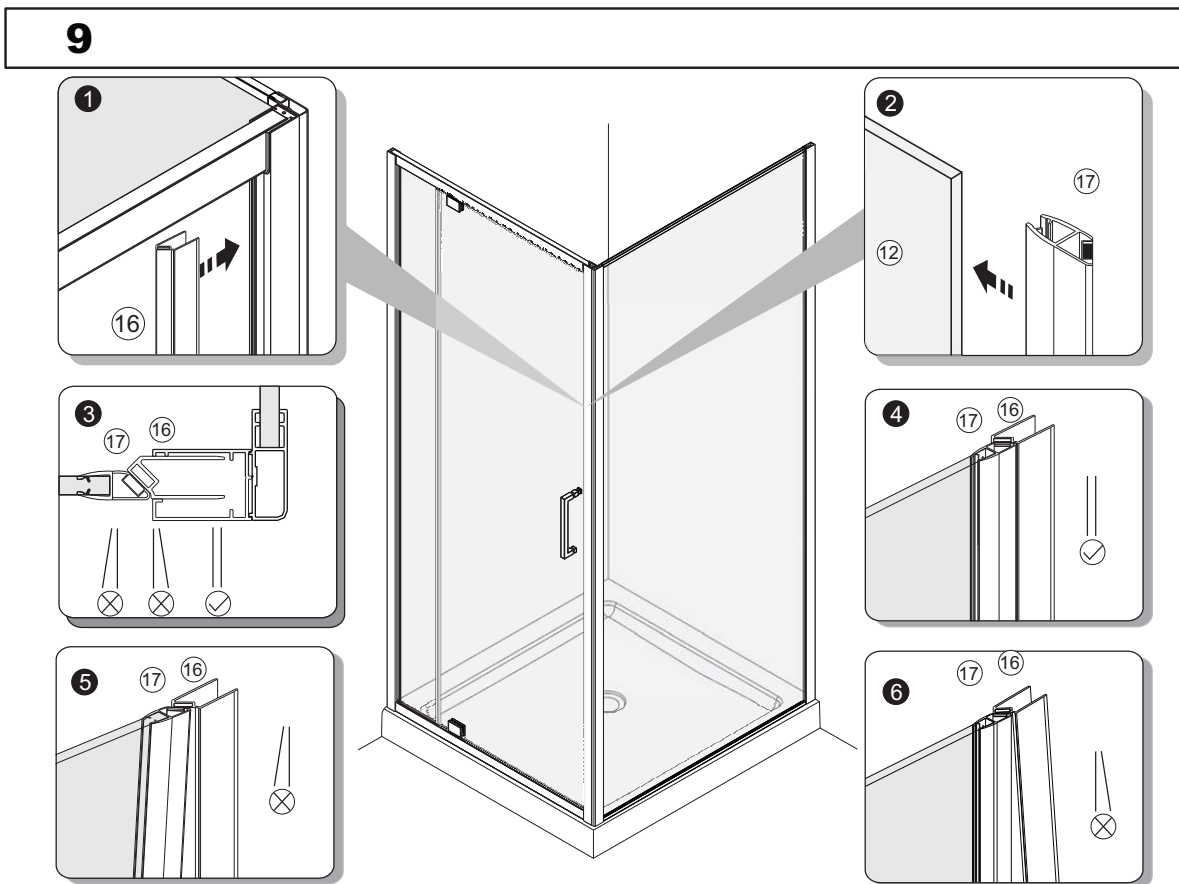
### 8





# BASE MKII SHOWER SYSTEM

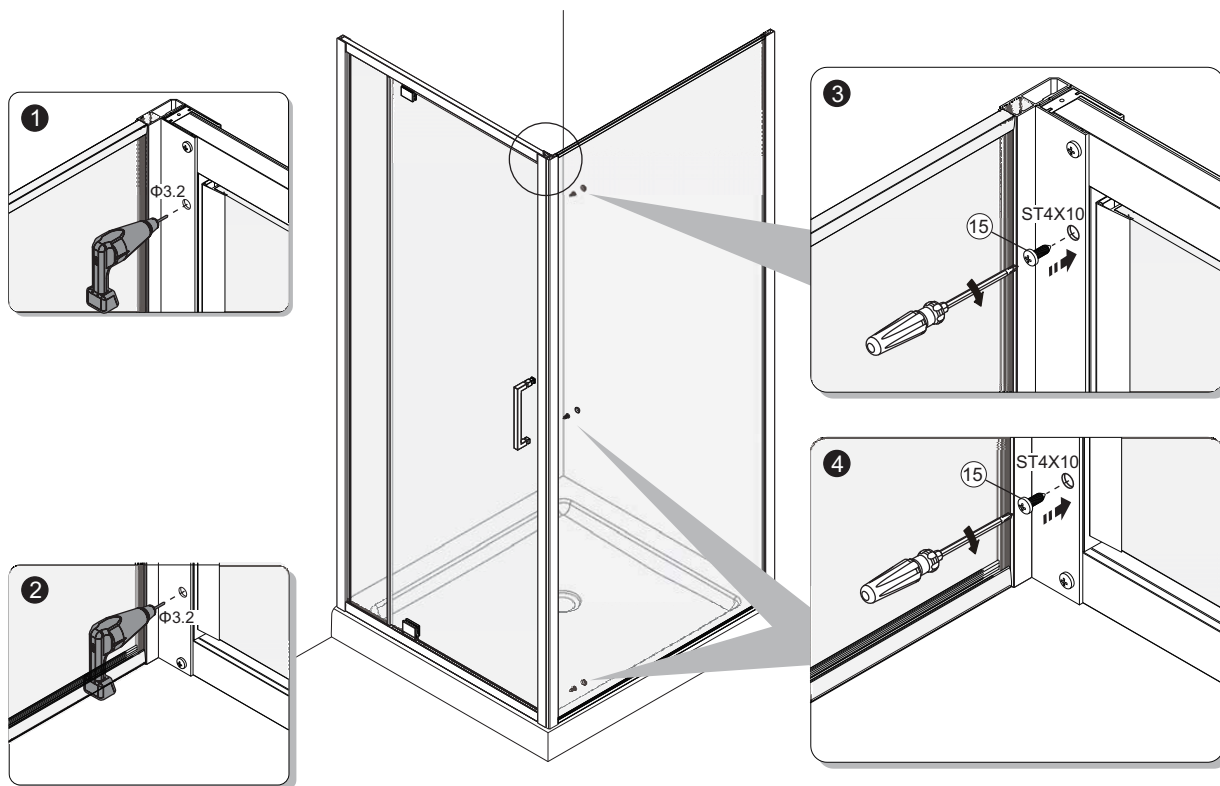
## INSTALLATION INSTRUCTIONS : SHOWER SCREEN



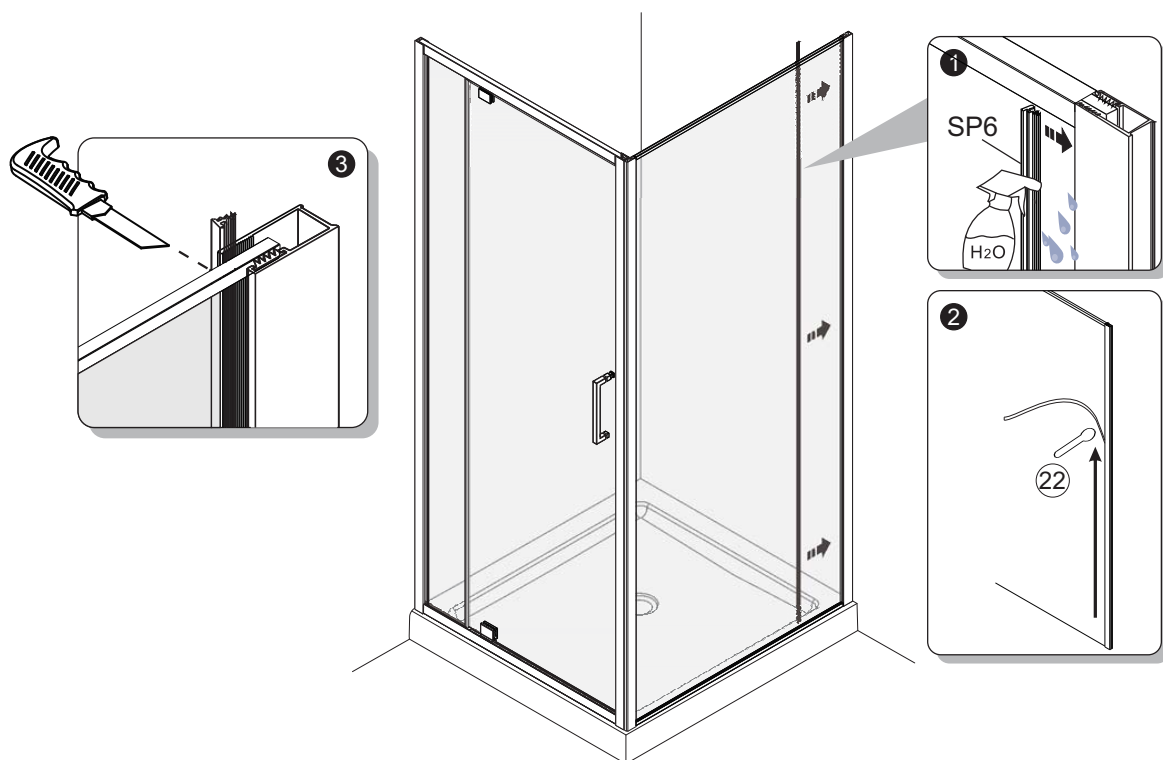
# BASE MKII SHOWER SYSTEM

## INSTALLATION INSTRUCTIONS : SHOWER SCREEN

### 11

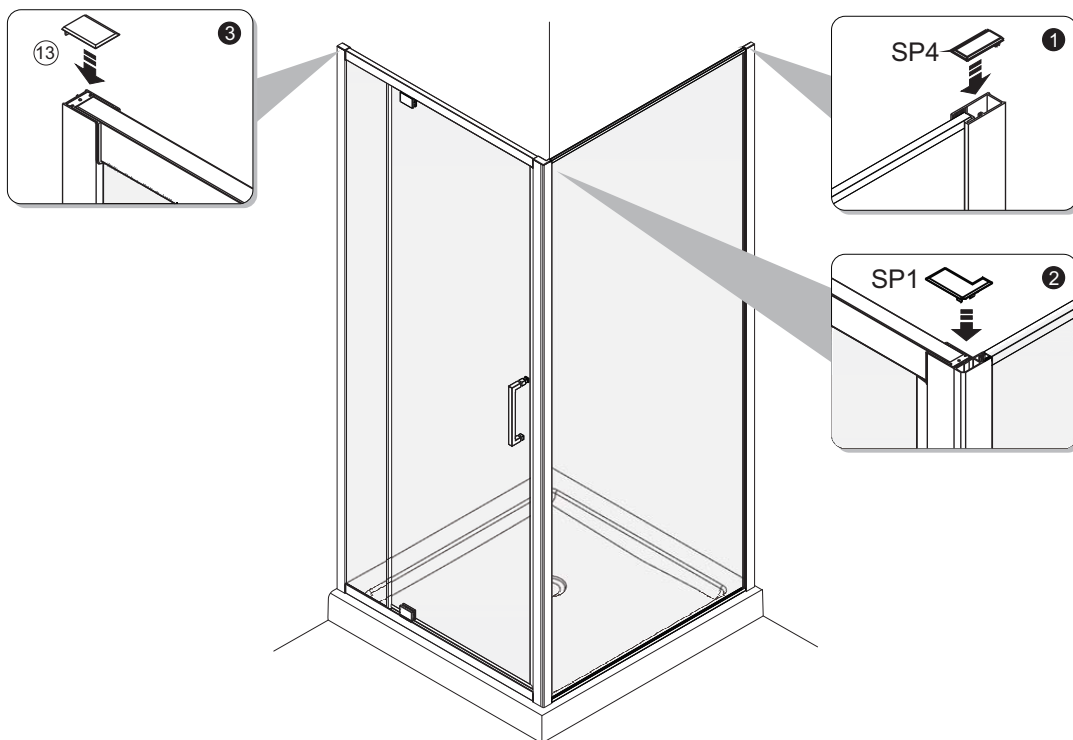
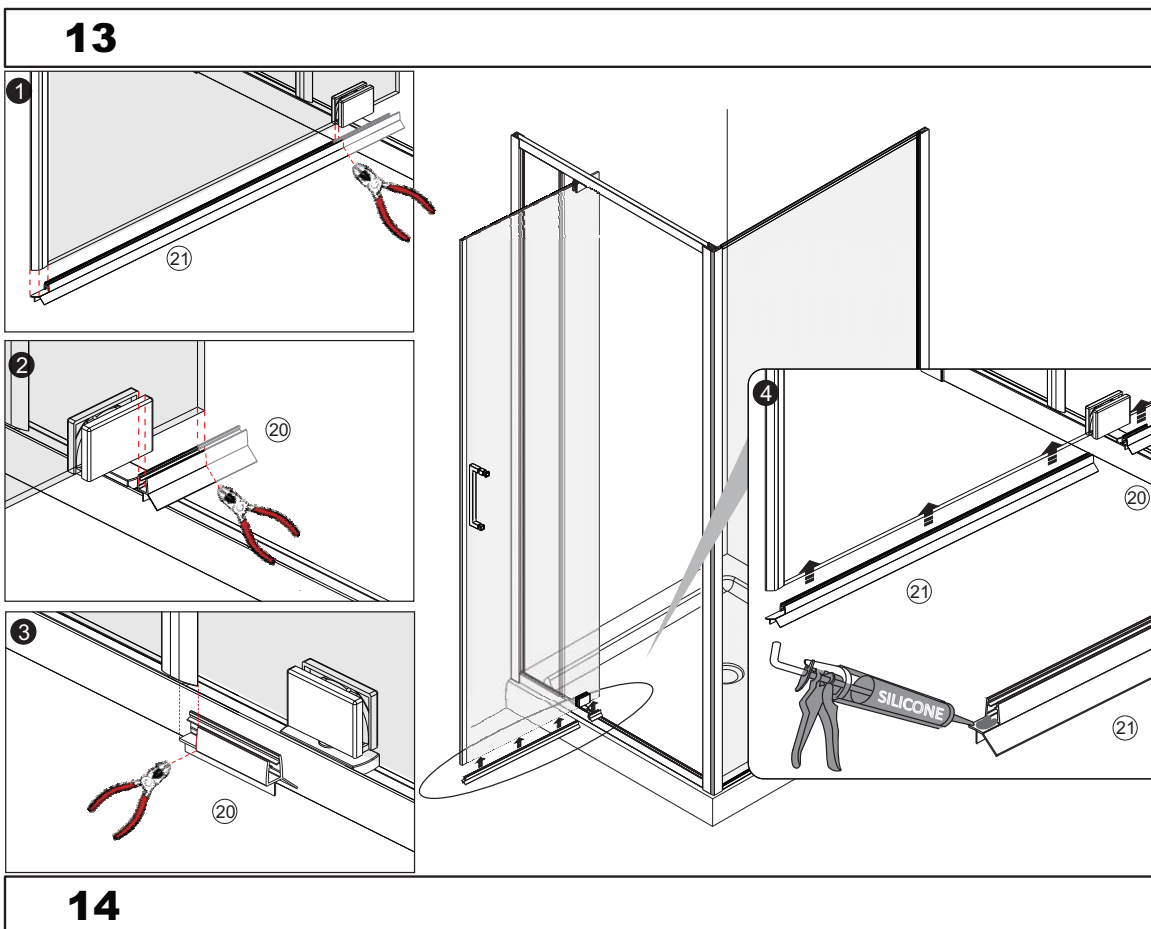


### 12



# BASE MKII SHOWER SYSTEM

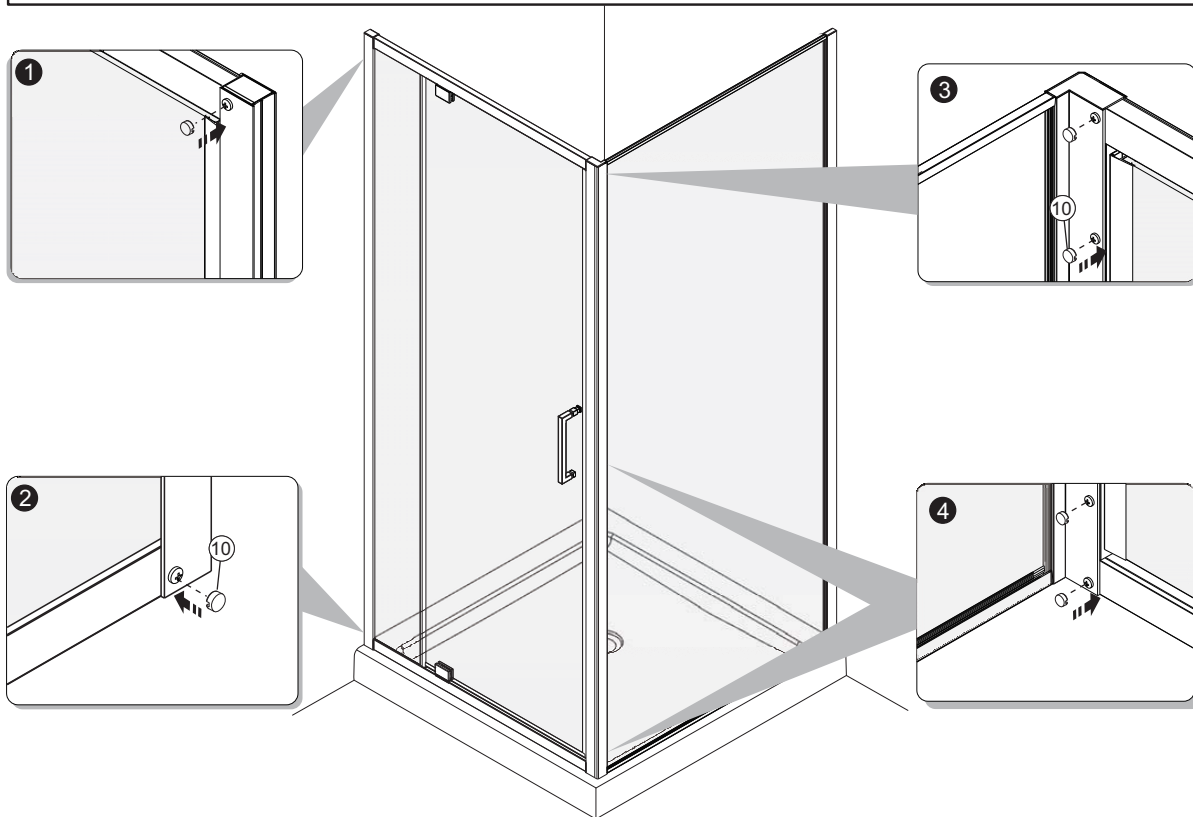
## INSTALLATION INSTRUCTIONS : SHOWER SCREEN



# BASE MKII SHOWER SYSTEM

## INSTALLATION INSTRUCTIONS : SHOWER SCREEN

### 15



### 16

