

MIZU

DRIFT ACCESSORIES



To see the complete Mizu range go to
www.reece.com.au/bathrooms

SPECIFICATIONS

Recommended use	Domestic, Hotel and Commercial
Colour availability	Black
Accessory options	<ul style="list-style-type: none"> • Robe hook • Straight toilet roll holder • Towel ring (square) • Glass shelf • Metal shelf and soap dish • Toilet brush and holder • Towel rail (single) - 600 / 700mm • Towel rail (double) - 600 / 700mm • Towel rack

Disclaimer: Products in this specification manual must by regulation be installed by licensed and registered trade people. The manufacturer/distributor reserves the right to vary specifications or delete models from their range without prior notification. Dimensions are nominal measurements only. Dimensions and set-outs listed are correct at time of publication however the manufacturer/distributor takes no responsibility for printing errors.

Published 06/04/2021

MIZU

DRIFT ACCESSORIES

CLEANING RECOMMENDATIONS

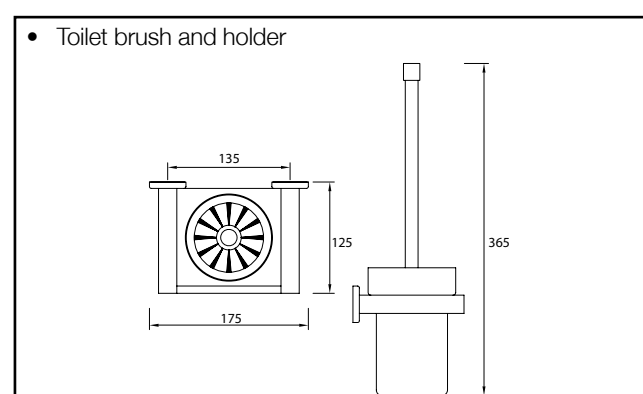
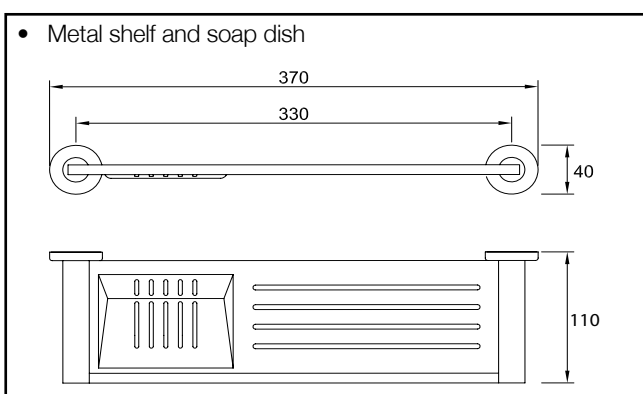
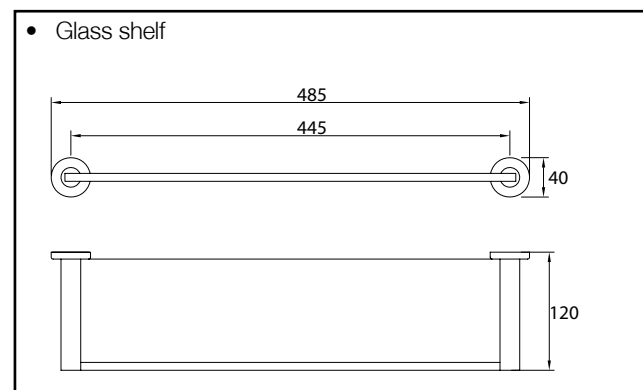
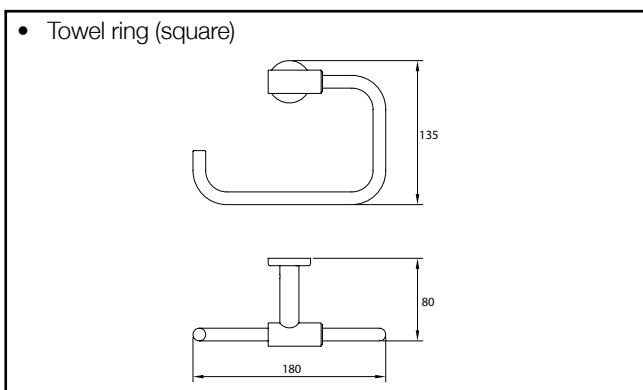
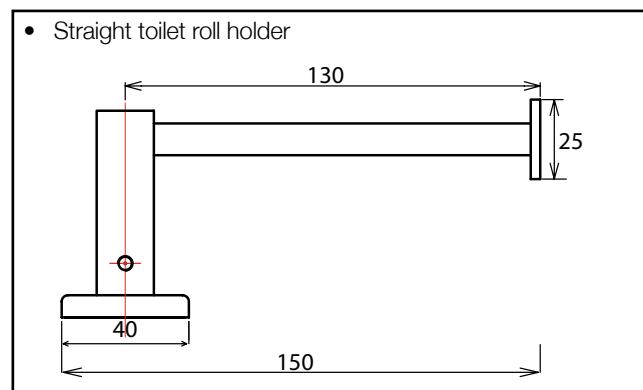
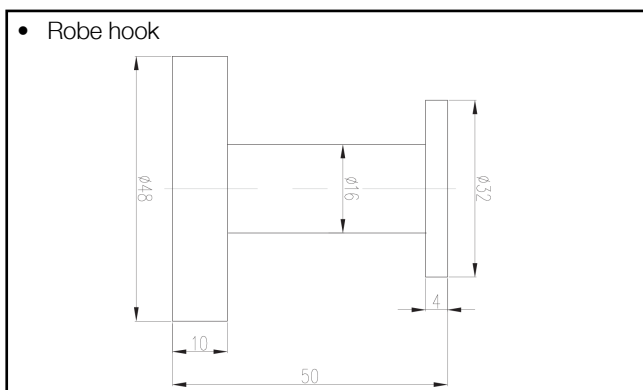
We recommend the use of soapy water or approved cleaners.

This product should not be cleaned with abrasive materials.

Damage caused by any improper treatment is not covered by the product warranty- refer to Warranty Page for full Terms and Conditions.

IMPORTANT NOTE

Wall materials vary. The accessory fixing kit supplied is suited for solid wall fixing. For timber framed walls, please ensure the accessory is fixed to a noggin/stud behind the wall. Where stud/noggin is not available, please use suitable hollow wall fixing.

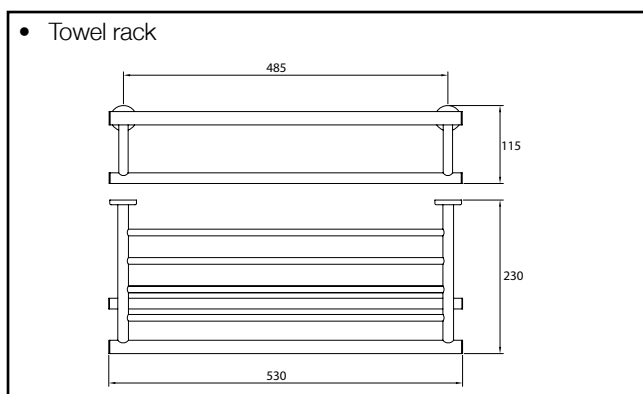
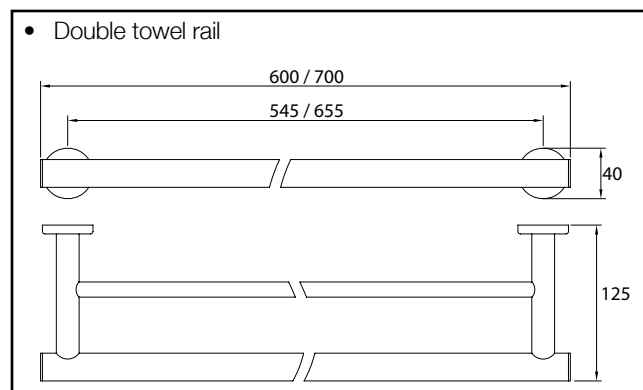
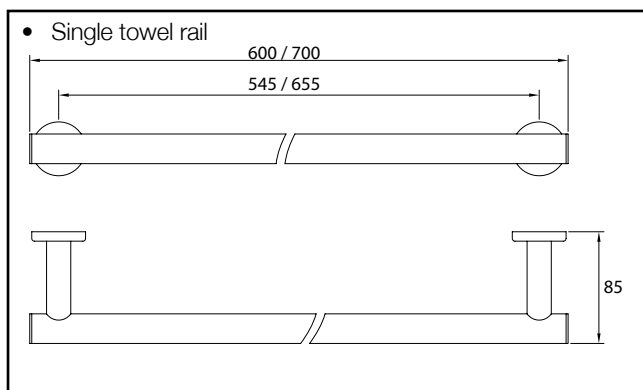


Dimensions are nominal measurements only.

Plumbers, please ensure a copy of the installation instructions is left with the end user for future reference

MIZU

DRIFT ACCESSORIES



Dimensions are nominal measurements only.

Plumbers, please ensure a copy of the installation instructions is left with the end user for future reference