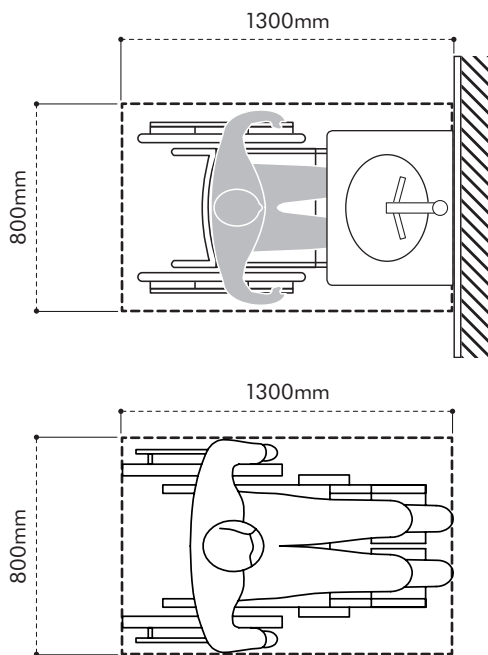


## Mobility access within washroom facilities

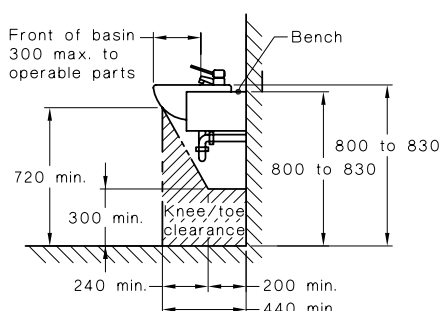
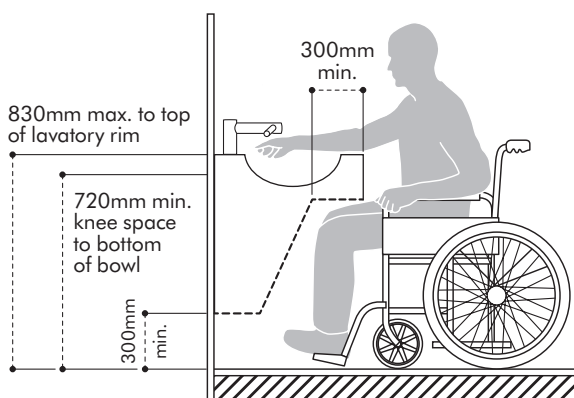
Because the Dyson Airblade Wash+Dry hand dryer is installed as a sensor operated dual use sink and hand drying unit within the restroom, it must maintain all lavatory sink knee and toe clearance requirements. The unit must be located on an accessible route and may not protrude into any required accessible clear area of other items, such as a door swing, required toilet clear area, urinal or fixed waste receptacle. The unit must be mounted within the reach range and space requirements. An accessible restroom is comprised of an accessible entrance, accessible turning space, and at least one type of accessible dispenser and fixture of each type. The Airblade Tap AB09, AB11 and Wash+Dry WD04 and WD06 hand dryers would be considered a lavatory sink mounted unit, which mounted at the correct height should meet those requirements. Airblade AB10 and WD05 are not compliant.



AS/NZS 1428.1 Figure 1 utilises dimensions of a 90th percentile wheelchair size i.e 800mm x 1300mm for new accessible sanitary facilities.

### Clear floor ground space:

Often accessibility code concepts are concerned with people in a seated position who use wheelchairs, which naturally limits the height and depth of their reach range. Because of the design of the Airblade Tap hand dryer, the front approach is the only way the unit can be properly used, therefore the side approach standards should not apply. A clear area in front of the unit should be a minimum of 800mm wide by 1300mm of length. This area can overlap a circulation path but should not overlap other required accessible areas, for example, a lavatory sink in restrooms with access to more than one user at one time. Single use restrooms can overlap accessible areas due to the fact that they are used by only one person at a time.

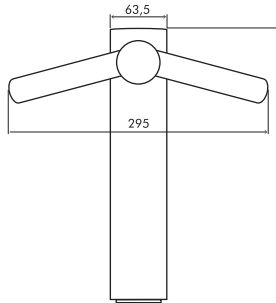


The basin height and other relevant dimensions shall be in accordance with AS/NZS 1428.1, Figure 44(A). All components must be outside this required knee and footplate clearance area.

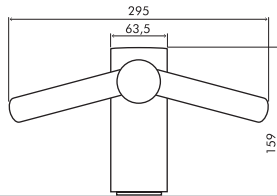
### AB09 Short Tap and Wash+Dry WD04 units:

AB09 Short Tap and Wash+Dry WD04 units would be approximately 940mm above the finished floor, which would be considered to be within the proper accessible usability range. Like the Airblade V unit, with the understanding that hand drying occurs approximately 2 inches below the air edge blower, so the 940mm usable range would be compliant. The current Dyson Technical Specification recommends 4 inches from the floor for air intake, which would put the motor bucket within the non-compliant range. It is recommended to maintain the 300mm toe clearance for all installations. The power cord should be kept out of the toe clearance area.

WD05 & AB10 Long Tap  
Non-Compliant

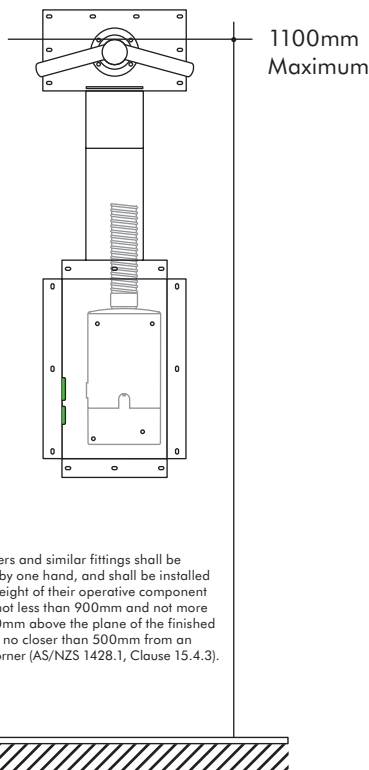


WD04 & AB09 Short Tap  
Compliant



### AB10 Long Tap and Wash+Dry WD05 units:

In reviewing the AB10 Long Tap and Wash+Dry WD05 units, the additional of height would move the operable area above the 1100mm finished floor accessible range when mounted on the required 830mm high lavatory top surface making it non-compliant. There may be certain instances that the long unit would be ideal so it is recommended that a compliant short unit be installed with one or more long unit installation.



Hand dryers and similar fittings shall be operable by one hand, and shall be installed with the height of their operative component or outlet not less than 900mm and not more than 1100mm above the plane of the finished floor, and no closer than 500mm from an internal corner (AS/NZS 1428.1, Clause 15.4.3).

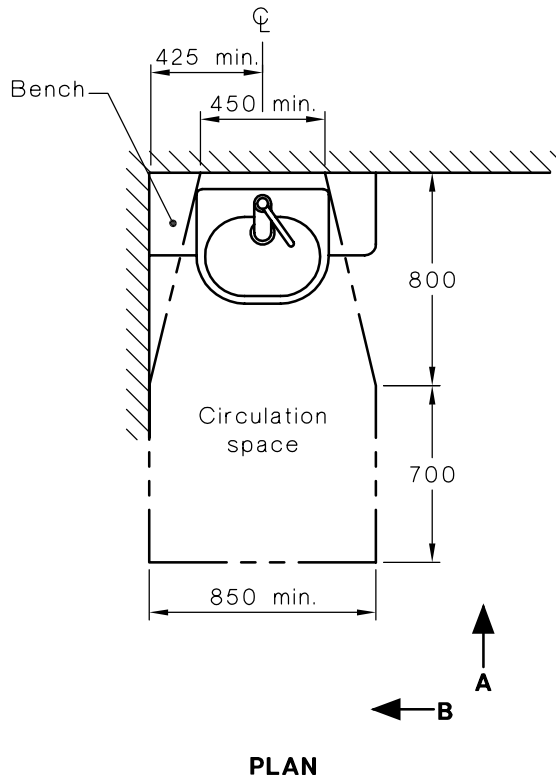
### AB11 Wall Tap and Wash+Dry WD06 unit:

The AB11 Wall Tap and Wash+Dry WD06 units should be compliant if the top of the sink stem is mounted at 1100mm above the finished floor. The reach range would generally be within the acceptable 300mm distance for a standard accessible sink installation. Again, in those cases your design professional should be able to determine general compliance. Knee and toe clearances should always be maintained for any installation.

Dyson Airblade AB09 & WD04 short tap and AB11 & WD06 wall tap accessible installation matrix:		
	Yes/No	Compliant
Does the unit have the required front approach 800mm x 1300mm clear floor clearance?	Yes	Yes
Does the reach range exceed 1100mm maximum height above the finished floor surface?	No	Yes
Is the hand dryer mounted at a height where it is considered a protruding object?	No	Yes
Does the operable part of the unit exceed the forward 300mm reach range?	No	Yes
Does the unit provide the proper 300mm min knee to toe clearance?	Yes	Yes

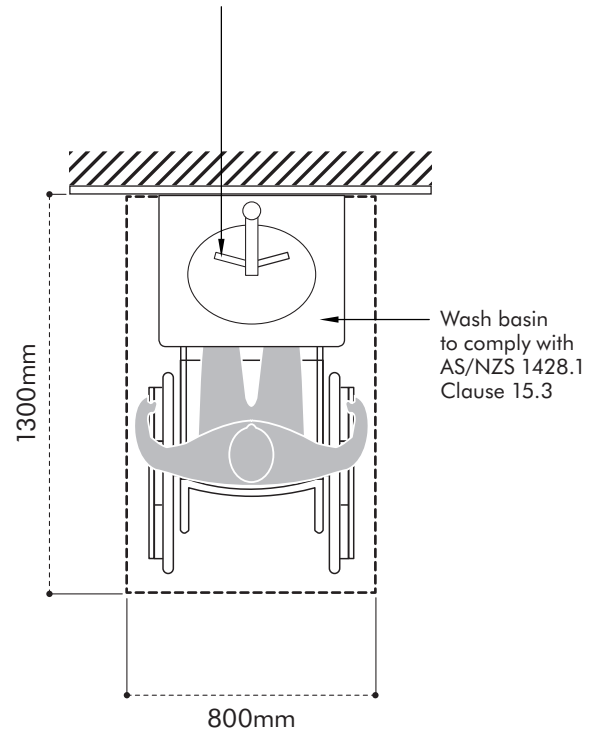
## Conclusion

Based on the review of the Airblade Tap and Wash+Dry sink integral faucet-hand dryers, it is concluded that in a standard restroom lavatory installation the Airblade AB09 Short Tap or Wash+Dry WD04 and Wash + Dry WD06 or AB11 Wall Tap mounted at the correct height would be compliant. As always, if a front approach clear area with no conflicting overlapping accessible areas exists, then the unit should comply with accessible requirements.



Extract of AS/NZS 1428.1  
Figure 44(B)

No part of the Airblade tap must be located within 500mm of the side wall / internal corner to comply with AS/NZS 1428.1 Clause 15.4.3



Modified Extract of AS/NZS 1428.1  
Figure 44(B)

# dyson airblade wash+dry

---

**Further documents are available online to download.**

Pre-installation guide.

Installation guide.

Dyson Airblade Wash+Dry hand dryer brochure.

Cleaning guide.

CAD drawings.

Installation videos.



The Carbon label is a trademark of the Carbon Trust.  
HACCP International non-food certification mark is the registered trademark of HACCP International.  
HACCP International have certified Dyson products based on their recommended installation and operating conditions. Licensed by Dyson. Quiet Mark is a trade mark of the Noise Abatement Society.

---

For further information please contact Dyson  
AU: 1800 426 337 [AUCommercial@dyson.com](mailto:AUCommercial@dyson.com)  
NZ: 0800 397 667 [NZCommercial@dyson.com](mailto:NZCommercial@dyson.com)