



# Series 850

## Double Check Valve Assemblies

Size: 15mm - 50mm



Series 850

The FEBCO Series 850 Double Check Valve Assemblies are designed for non-health hazard applications.

End Connections – BSP AS1722.1

### Pressure – Temperature

Max. Working Pressure: 16 bar  
 Hydrostatic Test Press: 24.1 bar  
 Temperature Range: 0°C to 60°C

### Materials

Valve Body: DZR Bronze  
 Elastomers: Silicone  
 Springs: Stainless Steel

### Models

- 850 - Standard Assembly Device Only

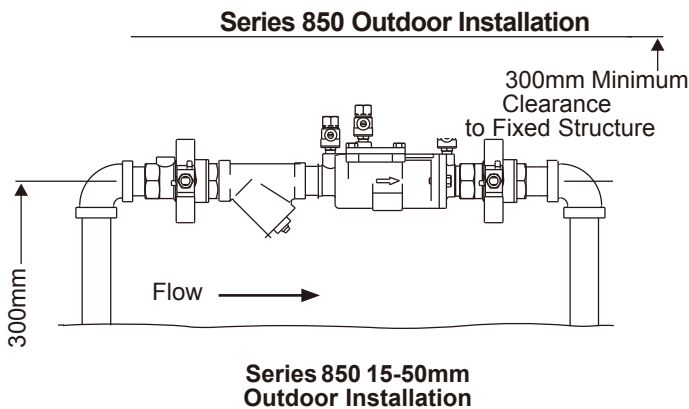
### Approvals – Standards

- AS2845.1-2010, Certificate WMKA 21050

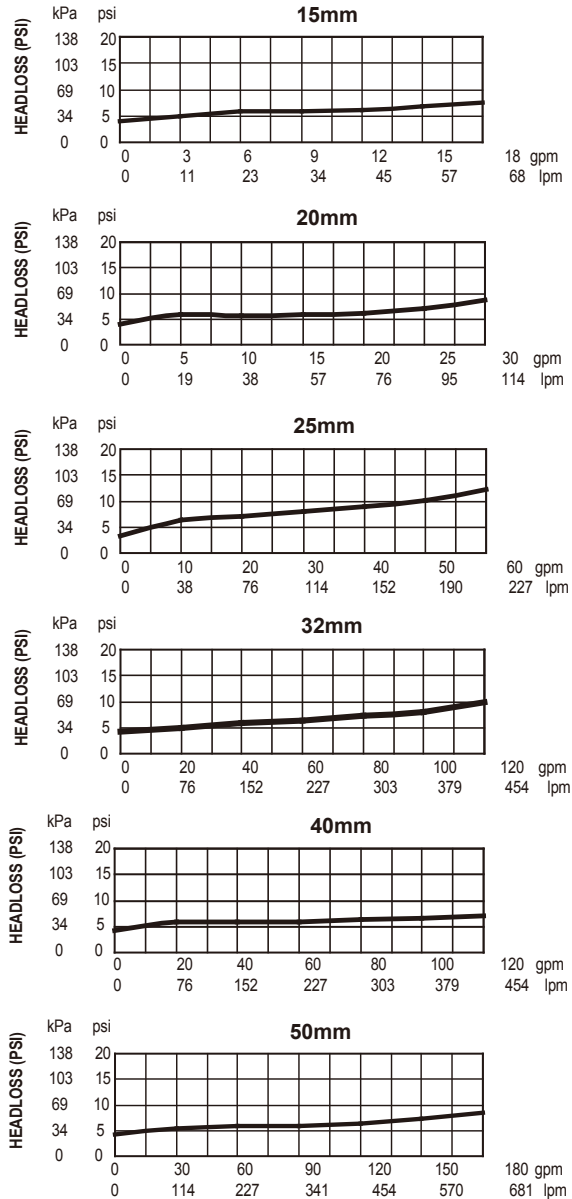


WaterMark

### Typical Installation



### Capacity



NOTE: GPM IS IN USGPM

Job Name \_\_\_\_\_ Contractor \_\_\_\_\_

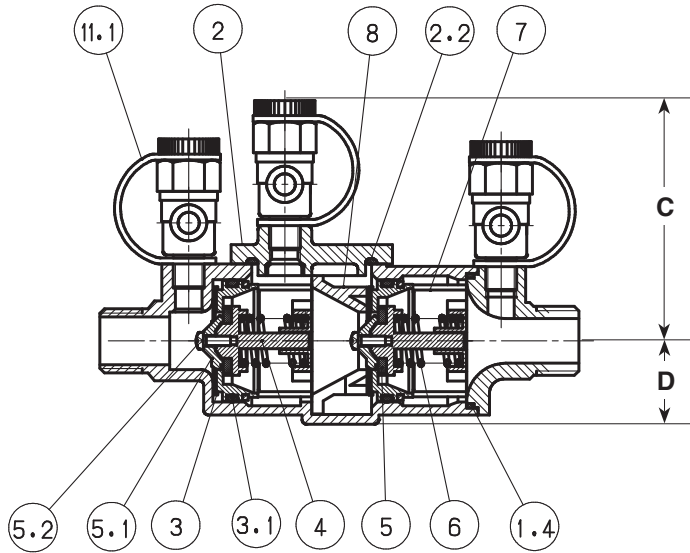
Job Location \_\_\_\_\_ Approval \_\_\_\_\_

Engineer \_\_\_\_\_ Contractor's P.O. No. \_\_\_\_\_

Approval \_\_\_\_\_ Representative \_\_\_\_\_

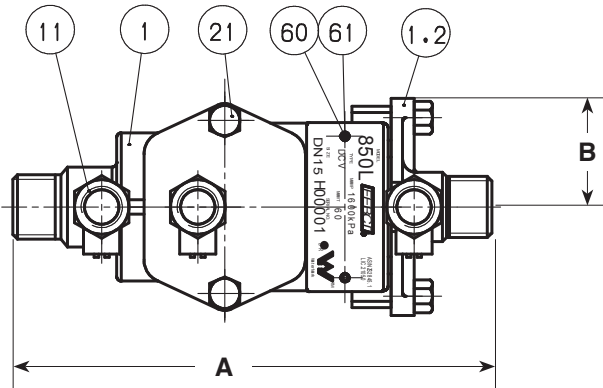
FEBCO product specifications in U.S. customary units and metric are approximate and are provided for reference only. For precise measurements, please contact FEBCO. FEBCO reserves the right to change or modify product design, construction, specifications, or materials without prior notice and without incurring any obligation to make such changes and modifications on FEBCO products previously or subsequently sold.

**Series 850 / Size: 15mm - 50mm**

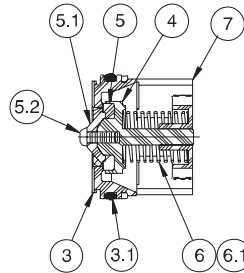


Item	Description	Quantity	Materials
61	Drive Screw Stick	1	Stainless Steel
60	Identification Plate	1	Brass
21	Cap screw	2	Stainless Steel
11.1	Regulating Plug	1	Rubber
11	Test Cock	3	Bronze
8	Retainer Spacer	1	Noryl
7	Guide	1	Noryl
6	Spring	1	Stainless Steel
5.2	Screw	2	Stainless Steel
5.1	Disc Retainer	2	Noryl
5	Gasket	2	Red Silicone
4	Poppet	2	Noryl
3.1	O ring	2	Silicone
3	Seat Disc	2	Noryl
2.2	O ring	1	Silicone
2	Cover	1	C83600
1.4	O ring	1	Silicone
1.2	Tailpiece	1	C83600
1	Body	1	C83600

**NOTE:** DRAWING INDICATES FOR 15mm, 20mm, 25mm. THE 32mm, 40mm, 50mm HAVE 4 CAP SCREW COVERS.



**Check Assembly**



**Dimensions and Weights**

**Size: 15 - 50mm**

SIZE(DN)	DIMENSIONS				WEIGHT
	A	B	C	D	
mm	mm	mm	mm	mm	kgs.
15	158.3	36.0	79.5	28.0	1.2
20	160.3	36.0	79.5	28.0	1.3
25	185.3	42.0	84.5	33.0	1.8
32	254.3	51.0	108.1	53.1	4.4
40	254.3	51.0	108.1	53.1	4.6
50	254.3	51.0	108.1	53.1	4.6

**Note:** Dimensions are nominal. Allowances must be made for normal manufacturing tolerances.

Noryl® is a registered trademark of SABIC Innovative Plastics™.

**NOTICE**

Backflow prevention assemblies must be protected against freezing for installations where freezing temperatures may occur.

**NOTICE**

Inquire with governing authorities for local installation requirements.

