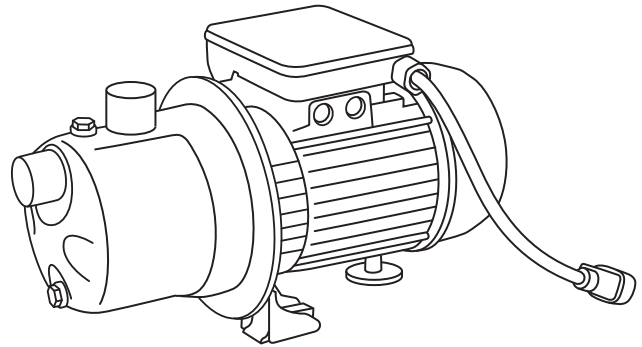
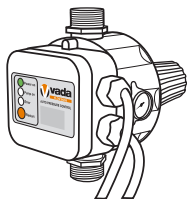


JET PUMP SPEC SHEET



COMPATIBLE VADA PRODUCTS:



□ Vada Flow Boss
Automatic Pressure Control
VFB-APC



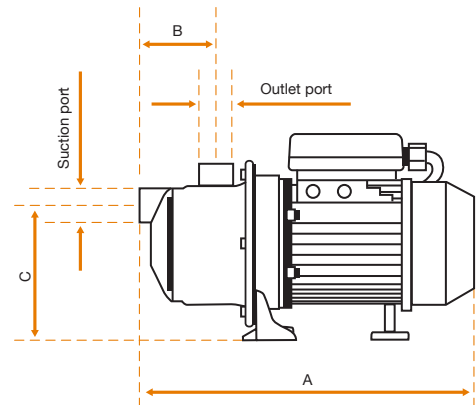
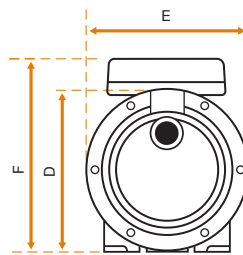
□ Vada Flow Boss
Digital Water Switching Unit
VFB-DSU



□ Vada Flow Boss
Mechanical Water Switching
Unit 20mm
VFB-MSU20

PRODUCT DIMENSIONS:

- A. 370mm
 - B. 87mm
 - C. 130mm
 - D. 185mm
 - E. 177mm
 - F. 207mm
- Outlet port: 25mm FI
Suction port: 25mm FI
Weight: 9.2kg



APPLICATIONS:

The Vada Flow Boss Jet Pump VFB-J60 is suitable for the following applications:



Water source switching (tank/main)	Domestic pressure systems	Water transfer (clean water only)	Irrigation systems
------------------------------------	---------------------------	-----------------------------------	--------------------

The Vada Flow Boss Jet Pump VFB-J60 is not suitable for the following applications:



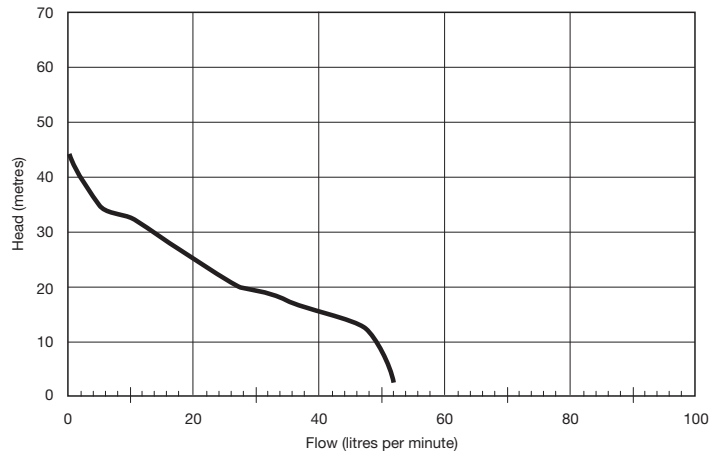
Drainage of stormwater pits	Pumping of blackwater (wastewater with toilet discharge)	Pumping liquids containing long fibrous materials	Pumping aggressive or inflammable liquids	Pumping liquid containing abrasive solids (stones, ceramics etc.)
-----------------------------	--	---	---	---



PUMP PERFORMANCE CURVE

Pump curves are a great tool to understand your pumps performance capabilities. In relation to head (metres) and flow (litres per minute). Pump curves can be interpreted by tracing your finger along the head (metres) across to flow (litres per minute).

For example, in this pump performance curve below, you can see that if the Jet Pump VFB-J60 has a discharge head between 18-23 l/metres, then the pump will produce 24-36 l/min.



Note: The curve represents the pump with the VFB-APC.

USAGE LIMITATIONS	
Liquid type	Clean water with no suspended solids or abrasive material
Max. liquid temp	50°C
Max. ambient temp	40°C
Min. ambient temp	0°C
Max. recommended suction height	7.6m with foot valve
Max operating pressure	600kPa / 6 bar
Maximum Flow Rate	60 litres per minute
IP Rating	IP44
Insulation Class	F
Warranty	2 years
Standards	AS/NZ 4020

MOTOR	
IP rating	IP44 (motor)
Speed of rotation	2850rpm (motor)
Insulation	Class F (motor)
Enclosed, externally ventilated	
Capacitor permanently activated	
Thermal protection built into the motor winding	
Suitable for continuous use	

CONSTRUCTION	
Pump casing	X5 CrNi 1810 (AISI 304) stainless steel
Motor Casing	Die-cast aluminium
Impeller	Technopolymer with stainless steel shim ring
Jet and venturi assembly	Technopolymer
Shaft	X12 CrNiS 1809 (AISI 416) stainless steel
Mechanical seal	Graphite
Counter face	Ceramic
Seal holder plate	Stainless steel technopolymer
O-ring	NBR 70 shore

POWER		
Nominal power	HP	0.75
	kW	0.55
Absorbed power	HP	1.07
	kW	0.80
Voltage	1~230–240V 50Hz	
Full load amps	4	
µF	16	

Q	L/1'	0	10	20	30	40	50
	m3/h	0	0.6	1.2	1.8	2.4	3
Discharge in meters		46	36	31	26	18	6