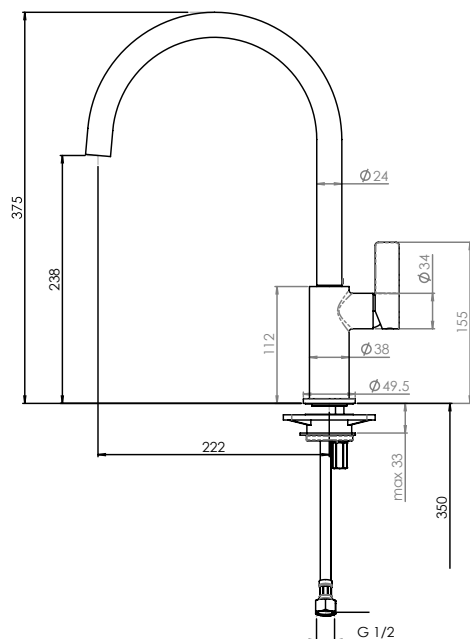


Nobili Flag Gooseneck Sink Mixer (4 Star)



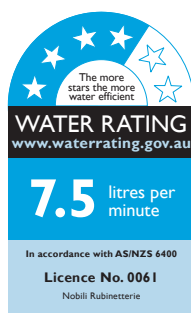
SPECIFICATIONS

Recommended use	Domestic, hotel and commercial
Colour availability	Chrome
Pressure rating	Maximum continuous operating pressure 1000 kPa. Note: For best performance and longer life we recommend 150-500 kPa.
Temperature rating	Maximum continuous working temperature 80°
Suitable Hot Water Units	Storage tank: Yes Continuous Flow: Yes Gravity Feed: Not recommended
WELS	Stars: 4 Flow rate: 7.5 L/Min
Standards	AS/NZS 3718



CLEANING RECOMMENDATIONS

This product should not be cleaned with abrasive materials. Damage caused by any improper treatment is not covered by the product warranty- refer to Warranty Conditions



Disclaimer: Products in this specification manual must by regulation be installed by licensed and registered trade people. The manufacturer/distributor reserves the right to vary specifications or delete models from their range without prior notification. Dimensions are nominal measurements only. Dimensions and set-outs listed are correct at time of publication however the manufacturer/distributor takes no responsibility for printing errors.

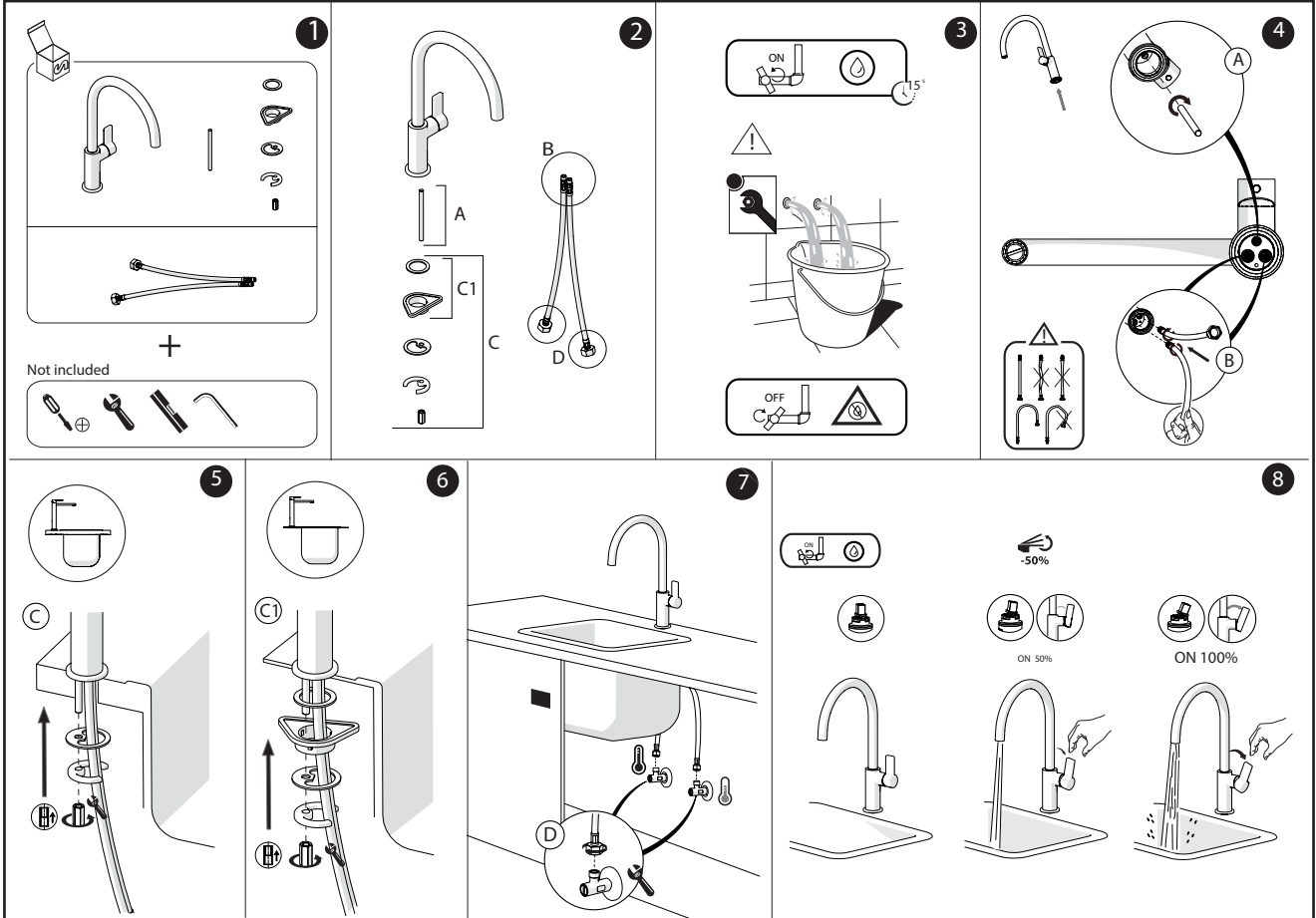
Tech Page Version 1

Nobili Flag Gooseneck Sink Mixer (4 Star)

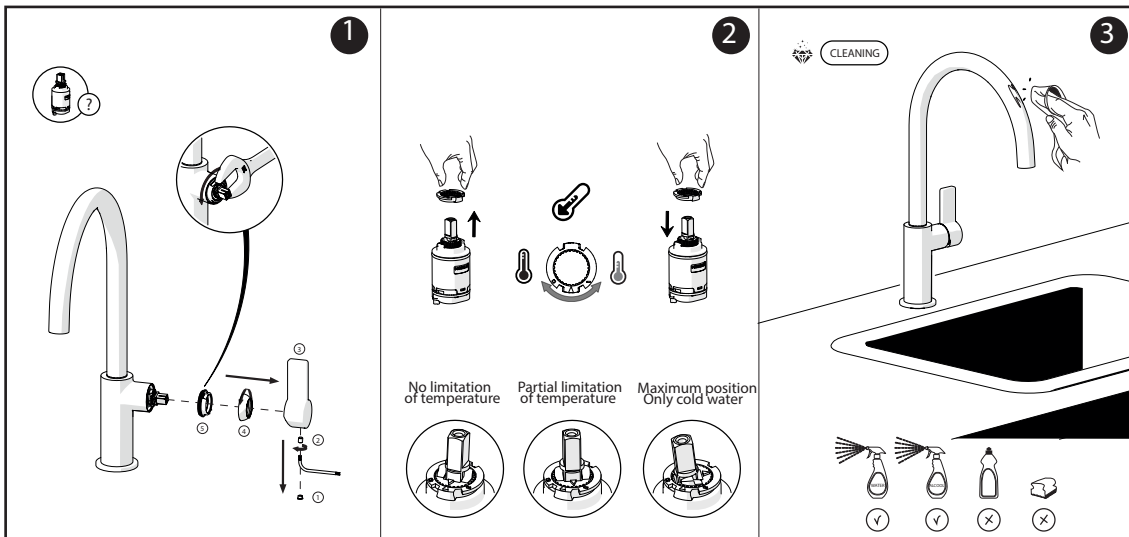
INSTALLATION INSTRUCTIONS

Important Note

Mixer must be installed to the requirements of AS/NZS 3500 by a qualified plumber. Your mixer comes to you already factory assembled and tested. We do not recommend the dismantling of any internal part of the mixer. The mixers are factory tested and sealed so as to give the best performance.

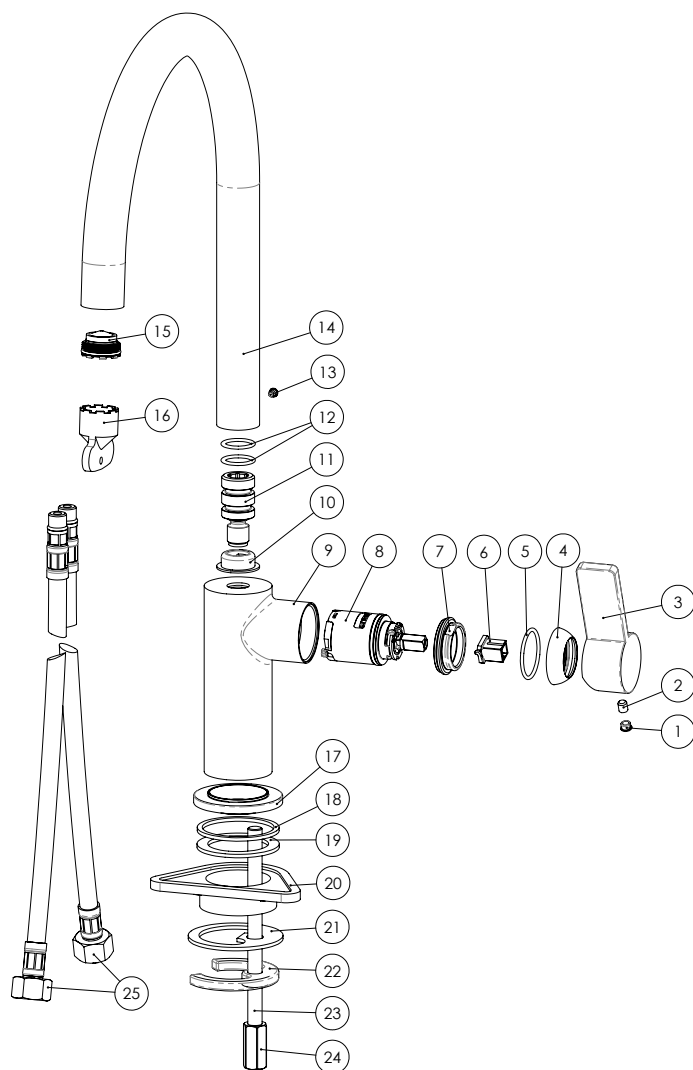


SERVICING-REPLACEMENT OF CARTRIDGE



Plumbers, please ensure a copy of the installation instructions is left with the end user for future reference

Nobili Flag Gooseneck Sink Mixer (4 Star)



EXPLODED VIEW

Item	Description
1	Chrome Cover
2	Grub Screw
3	Mixer Handle
4	Cartridge Dome
5	O Ring
6	Thermal Barrier
7	Cartridge Lock Nut
8	Cartridge
9	Mixer Body
10	Mounting Plate
11	Outlet Connection Assembly
12	O Rings
13	Grub Screws
14	Spout
15	Aerator
16	Aerator Key
17	Dress Ring
18	Rubber Gasket
19	Rubber Sealing Washer
20	Stabalising Plate
21	Plate Seal
22	Horse Shoe Plate
23	Fixing Rod
24	Hex Nut
25	Flexible Hoses