

CLOSE COUPLE TOILET

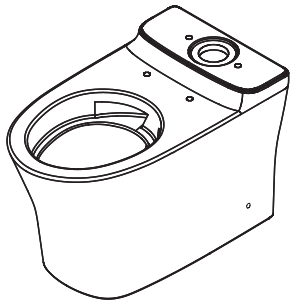
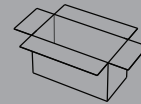
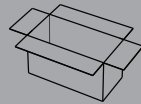
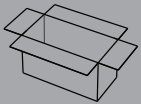
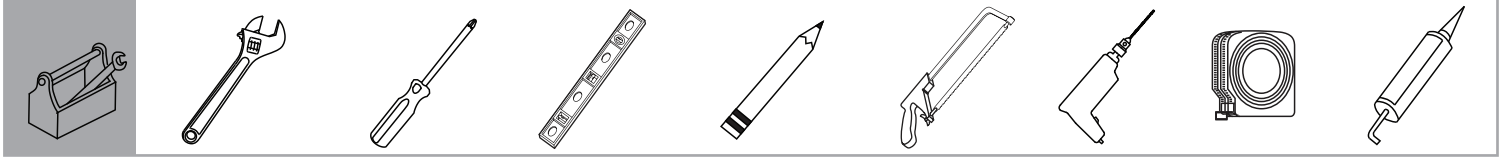
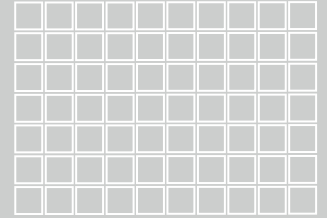
Signature CC BTW

Installation Manual

3322 / 4322 Back Inlet



American Standard



_____ x1



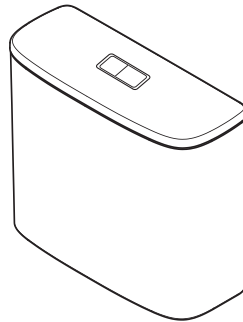
_____ x1



_____ x1



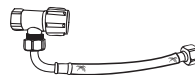
_____ x1



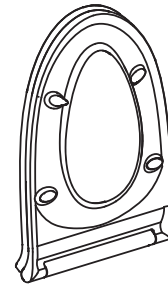
_____ x1



_____ x1



_____ x1

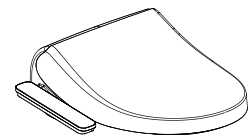


Option 1

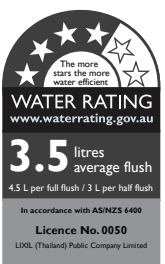
_____ x1

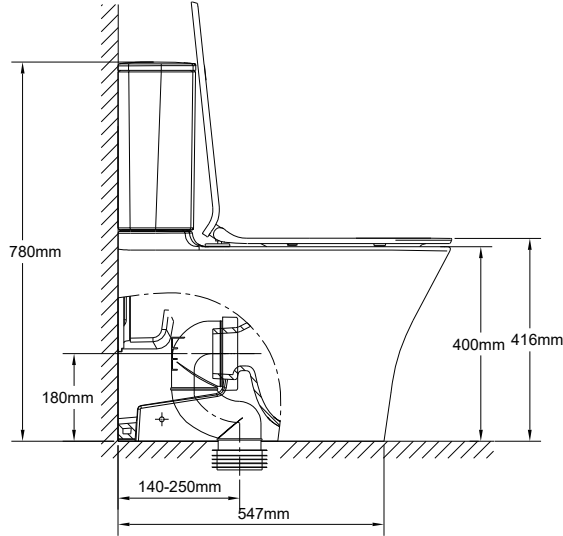
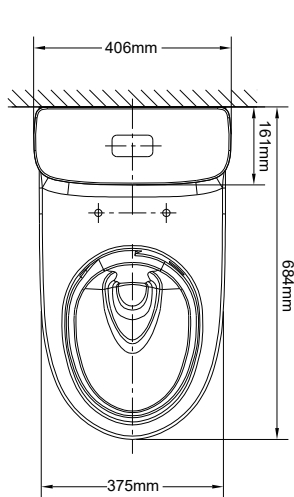


_____ x1

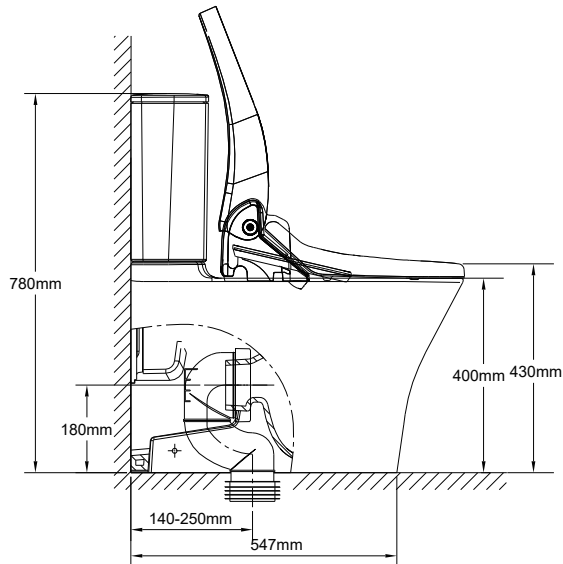
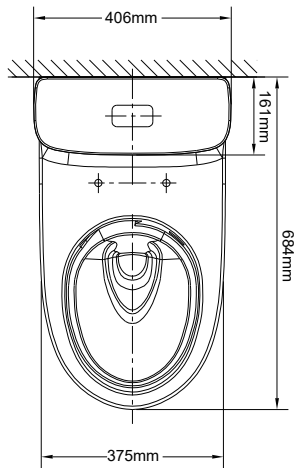
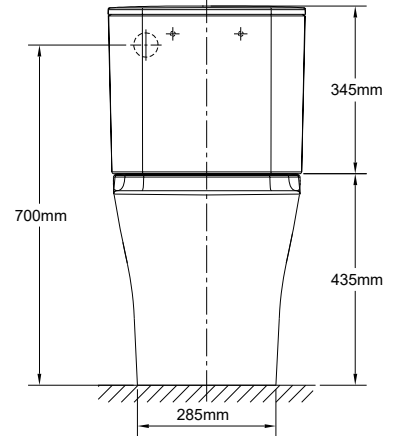


Option 2

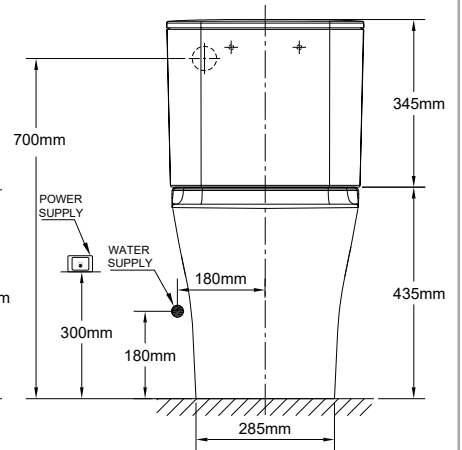




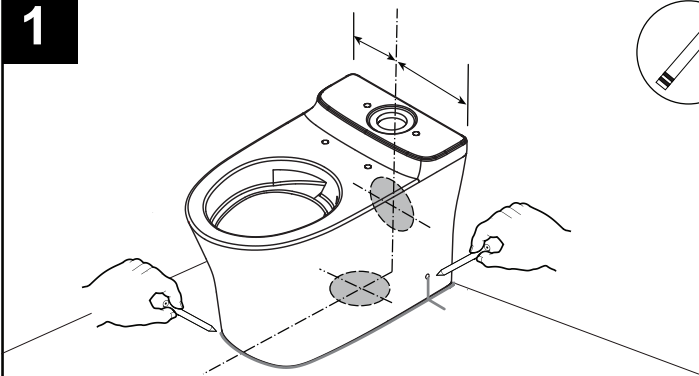
w/ normal S&C



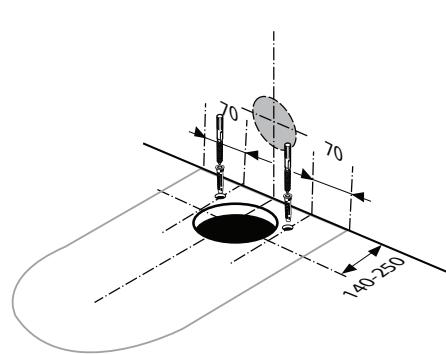
w/ Spalet E-bidet



1

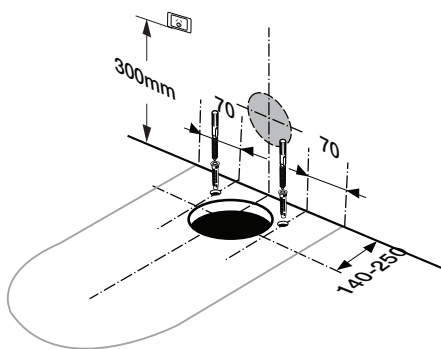


2.1

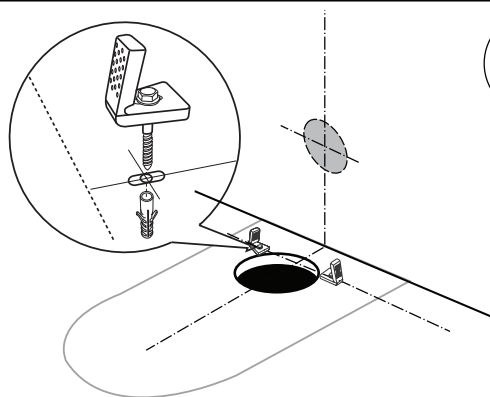




2.2

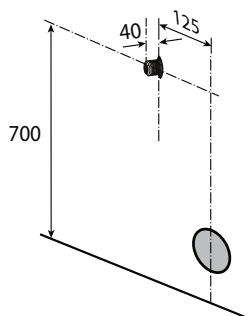


3

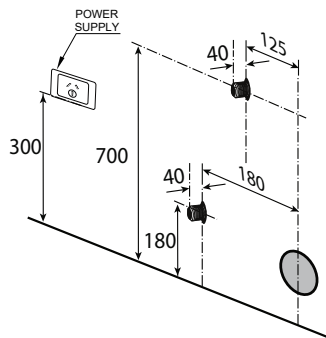


Option 2: Spalet Installation

4.1

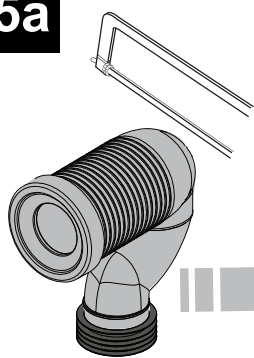


4.2

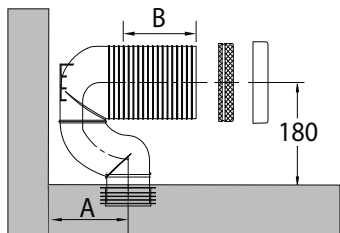


Option 2: Spalet Installation

5a

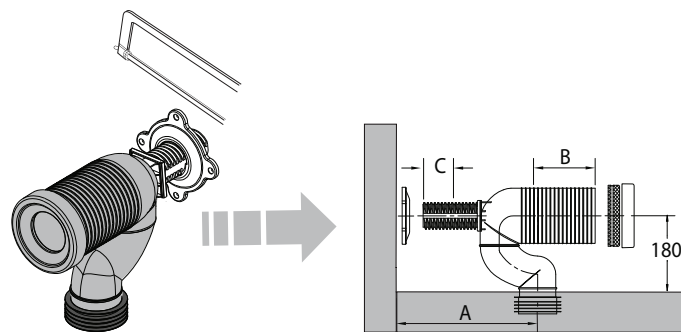


ROUGHING - IN (A)	CONNECTOR CUTOUT (B)
140-150 mm.	50 mm.
151-159 mm.	60 mm.

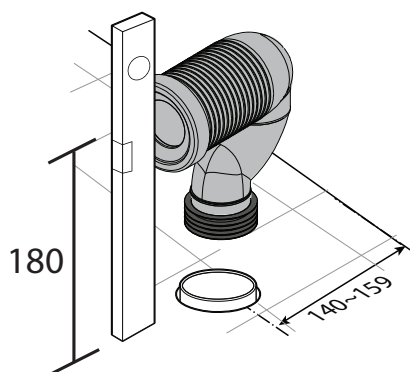


5b

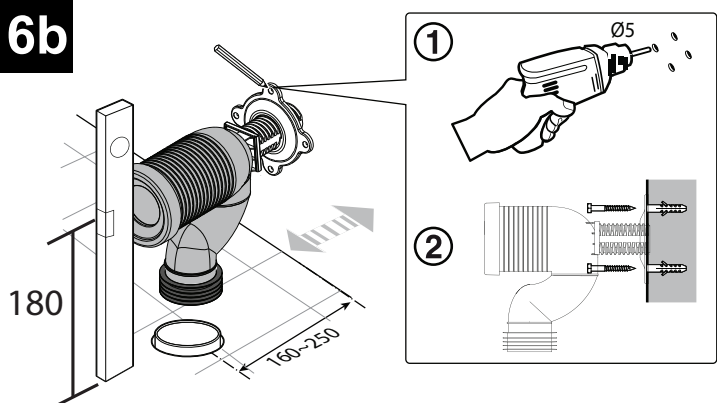
ROUGHING - IN (A)	CONNECTOR CUTOUT (B)	ROUGHING-IN (A)	CONNECTOR CUTOUT (B)
160-170 mm.	70 mm.	211-220 mm.	120 mm.
171-180 mm.	80 mm.	221-230 mm.	130 mm.
181-190 mm.	90 mm.	231-250 mm.	150 mm.
191-200 mm.	100 mm.		
201-210 mm.	110 mm.		C=116 - (A-160)



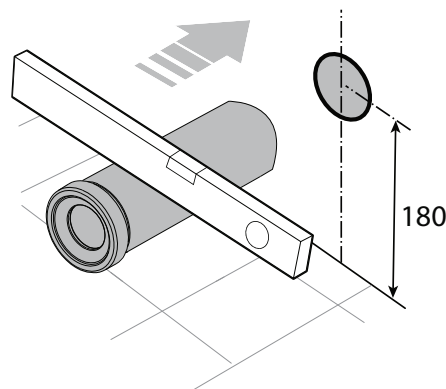
6a



6b

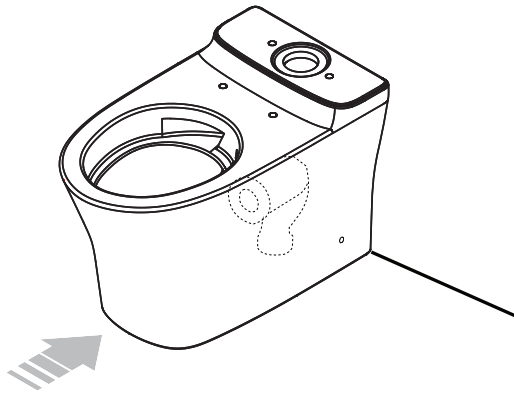


7

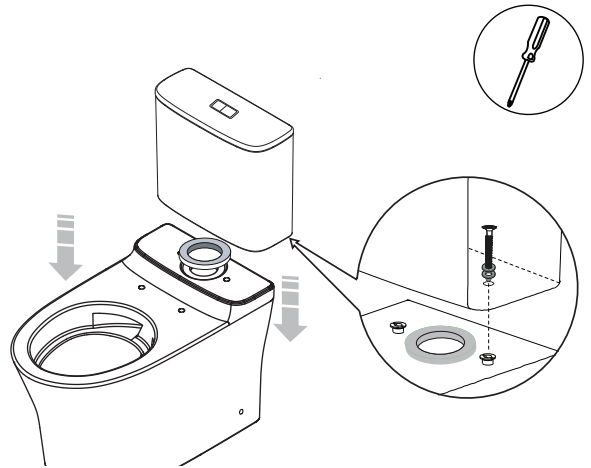




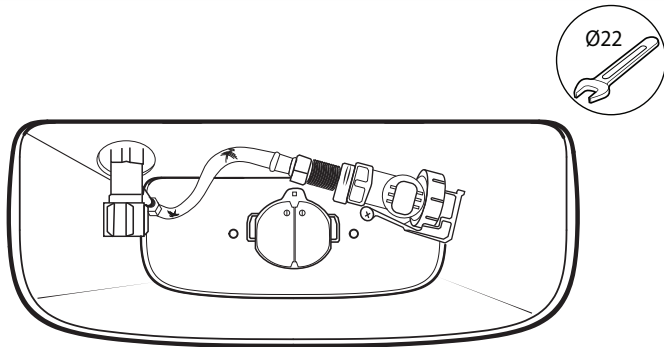
8



9

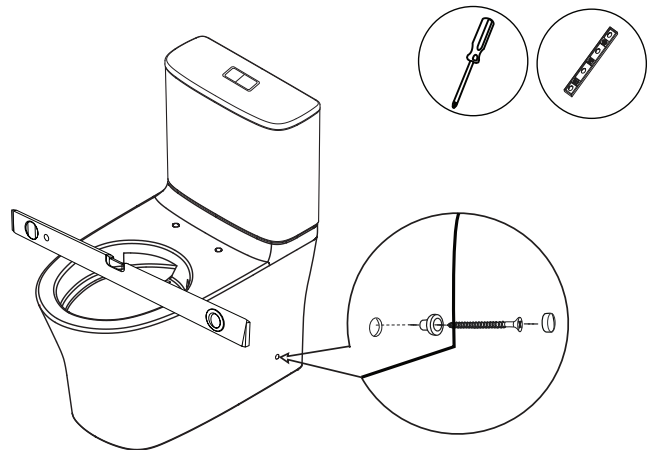


10

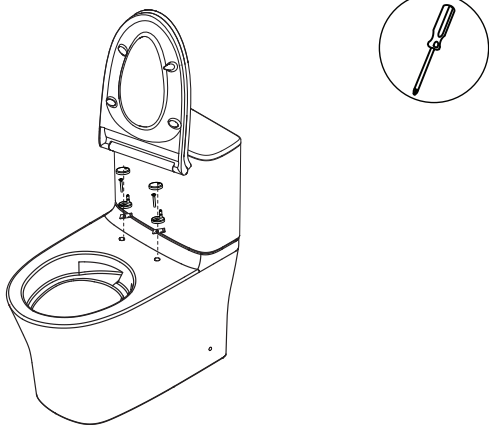


The flexible hose in this cistern must not be submerged in water at any time.

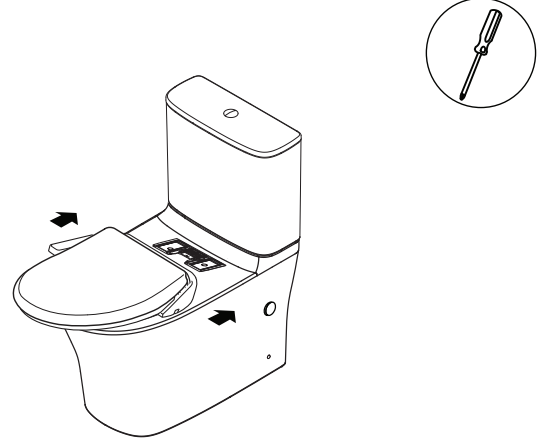
11



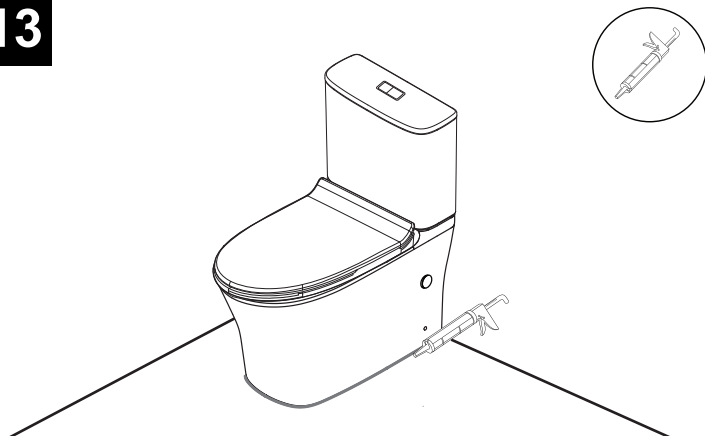
12.1



12.2



13



14

IMPORTANT

Before turning on water supply check:

1. Cistern is installed properly
2. All moving components operate freely
3. All couplings are tightened correctly

Now fill cistern and recheck water level:

4. Check carefully for leaks
5. Test the cistern flushes