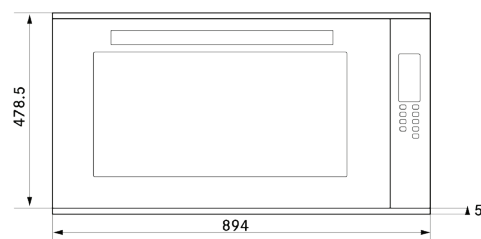
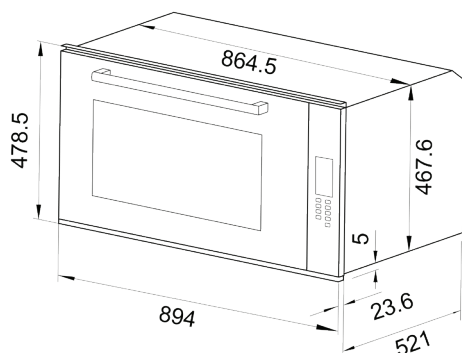


## DESIGNER 10 FUNCTION OVEN 90CM

### SPECIFICATIONS

Recommended use	Domestic
Material	Black Glass
Functions	10
Colour availability	Black
Dimensions	894 x 478.5 x 521mm
Weight	60kg gross, 53kg net
Source	Electrical
Cavity size	105L
Max current	230V-15A 240V-15A
Temperature range	50/250
Timer	Digital timer
Convection fan	Yes
Cooling fan	Yes
Display	LED
Child lock	Yes
Door glazing	Triple
Bottom element	Concealed
Shelf rack	2
Baking pan (enamelled)	1
Telescopic runner	1
Power cord without plug	Hard wired
Power cord length	1400mm
Controller (knobs)	Touch control



Dimensions are nominal measurements only.

### CLEANING RECOMMENDATIONS

Clean the surface of the unit with a damp cloth, soft brush or fine sponge and then wipe dry. In case of heavy soiling, use hot water with non-abrasive cleaning product. For cleaning the glass of the oven door, do not use abrasive cleaners or sharp metal scrapers, these can scratch the surface or lead to the glass being damaged. Never leave acidic substances (lemon juice, vinegar) on stainless steel parts. Do not use a high pressure cleaner for cleaning the unit. The baking pans may be washed in mild detergent.

Disclaimer: Products in this specification manual must by regulation be installed by licensed and registered trade people. The manufacturer/distributor reserves the right to vary specifications or delete models from their range without prior notification. Dimensions are nominal measurements only. Dimensions and set-outs listed are correct at time of publication however the manufacturer/distributor takes no responsibility for printing errors.

# FRANKE

## DESIGNER 10 FUNCTION OVEN 90CM

### INSTALLATION INSTRUCTIONS - FRE90M10B

**Only a qualified person in compliance with the instructions provided must install the appliance.**

Appliance is fully assembled as in normal operation without any parts removed. The manufacturer declines all responsibility for improper installation, which may harm persons and animals and damage property.

**Important:** - The power supply to the appliance must be cut off before any adjustments or maintenance work is done on it;

- Air duct is supposed to be used in ventilation.

#### Installation of Built-in Ovens

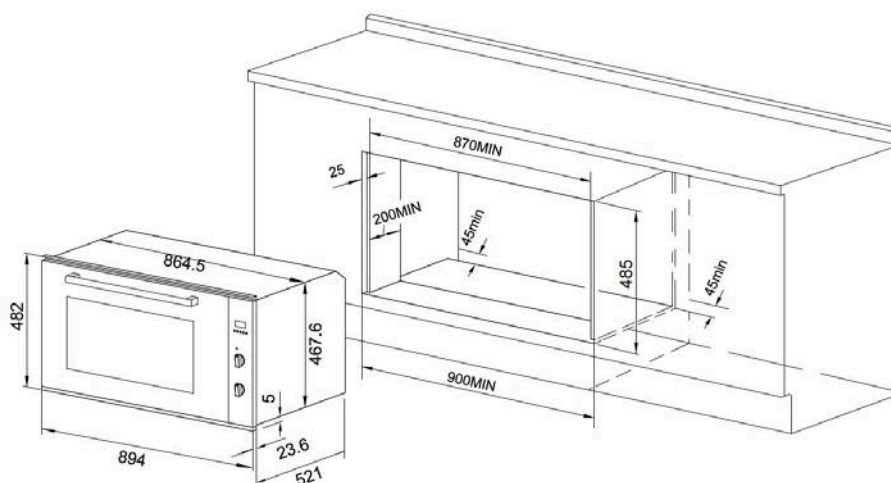
In order to ensure that the built-in appliance functions properly, the cabinet containing it must be appropriate. The figure below gives the dimensions of the cut-out for installation under the counter. In order to ensure adequate ventilation, the back panel of the cabinet unit must be removed.

The oven must have a 40mm clearance between the oven and the rear timber panel. The panels of the adjacent cabinets must be made of heat-resistant material. In particular, cabinets with a veneer exterior must be assembled with glues which can withstand temperatures of up to 100°C.

In compliance with current safety standards, contact with the electrical parts of the oven must not be possible once it has been installed.

The oven must be secured by 4 screws to the cabinet.

The oven must not be installed behind a decorative door in order to avoid overheating.



#### Electrical Connection

The ovens equipped with a three-pole power supply cable are designed to operate with an alternating current. The wire for earthing the appliance is yellow-green in color.

#### Fitting on a Power Supply Cable

The ovens equipped with a three-pole power supply cable are designed to operate with an alternating current. The wire for earthing the appliance is yellow-green in color.

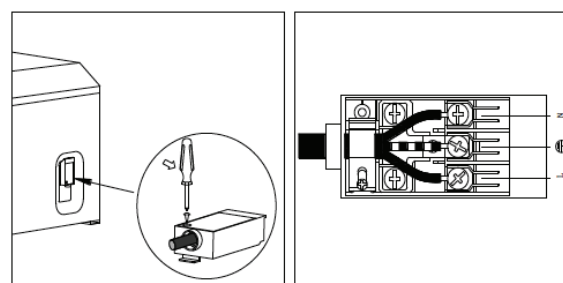
Fitting on a Power Supply Cable Opening the terminal board:

– Using a screwdriver, prize the bolt on the side tabs of the terminal board cover; Unscrew the bolt, pull open the cover of the terminal board.

To install the cable, proceed as follows: Remove the wire clamp screw and the three contact screws L-N –

– Fasten the wires beneath the screw heads using the following color scheme :Blue (N) Brown (L) Yellow-Green

– Fasten the supply cable in place with the clamp and close the cover of the terminal board.



Plumbers, please ensure a copy of the installation instructions is left with the end user for future reference

# FRANKE

## DESIGNER 10 FUNCTION OVEN 90CM

### INSTALLATION INSTRUCTIONS - FRE90M10B

#### Connecting the supply cable to the mains

Install a standardized plug corresponding to the load indicated on the data plate. When connecting the cable directly to the mains, install an omni polar circuit breaker with a minimum contact opening of 3 mm between the appliance and the mains. The omni polar circuit breaker should be sized according to the load and should comply with current regulations (the earth wire should not be interrupted by the circuit breaker).

The supply cable should be positioned so that it does not reach a temperature of more than 50°C with respect to the room temperature, anywhere along its length, or protected by insulation sleeping having an appropriate rating.

#### Before making the connection, check that:

- The electrical safety of this appliance can only be guaranteed if the cooker is correctly and efficiently earthed, in compliance with regulations on electrical safety. Always ensure that the earthing is efficient; if you have any doubts call in a qualified technician to check the system. The manufacturer declines all responsibility for damage resulting from a system which has not been earthed.
- Before plugging the appliance into the mains, check that the specifications indicated on the date plate (on the appliance and / or packaging ) correspond to those of the electrical mains system of your home.
- Check that the electrical capacity of the system and sockets will support the maximum power of the appliance, as indicated on the data plate. If you have any doubts, call in a qualified technician.
- If the socket and appliance plug are not compatible, have the socket replaced with a suitable model by a qualified technician. The latter, in particular, will also have to ensure that the cross section of the socket cables are suitable for the power absorbed by the appliance. The use of adapters, multiple sockets and /or extensions, is not recommended. If their use cannot be avoided, remember to use only single or multiple adapters and extensions which comply with current safety regulations. In these cases, never exceed the maximum current capacity indicated on the single adapter or extension and the maximum power indicated on the multiple adapter . **The plug and socket must be easily accessible.**

### TECHNICAL SPECIFICATIONS - FRE90M10B

Model	F948-100STMR,F948-101STIX F948-102STIX
Power Source	220-240V ~50/60Hz
Volume (usable capacity)	105 L
Output Power	3,166-3,660 W
Weight	Net Shipping
	51kg approx 58.5 kg approx
Dimensions (W x H x D)	
	Outside Inner Cutout
	900 x 480 x 560.5mm 657 x 435 x 351mm 867 x 470 x 550mm

#### Voltage and Frequency of Power Supply

220-240V ~50/60Hz or 50Hz



Meaning of crossed –out wheeled dustbin:

Do not dispose of electrical appliances as unsorted municipal waste, use separate collection facilities.

Contact your local government for information regarding the collection systems available.

If electrical appliances are disposed of in landfills or dumps, hazardous substances can leak into the groundwater and get into the food chain, damaging your health and well-being.

When replacing old appliances with new ones, the retailer is legally obligated to take back your old appliance for disposals at least free of charge.

Plumbers, please ensure a copy of the installation instructions is left with the end user for future reference

