

caroma®

Leda Urinal

Vitreous China Wall-Hung Boxed Rim Urinal

CI/SfB	(74.4)	g3
Date	July 2008	

Supersedes all previous issues

7.02.3



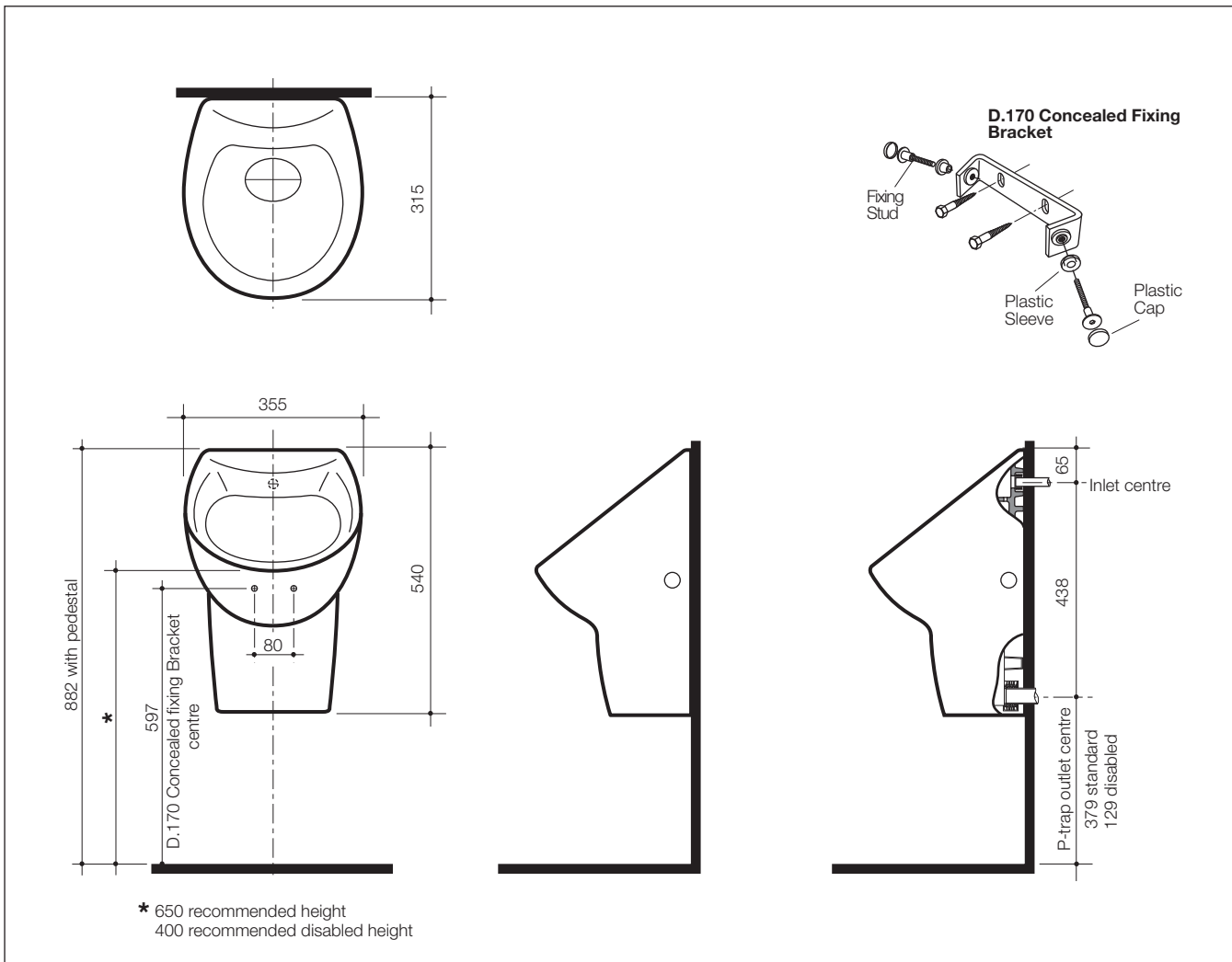
Leda Urinal

Vitreous China Wall-Hung Boxed Rim Urinal

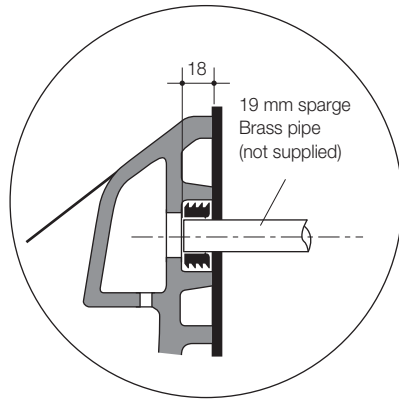


A premium designed compact wall-hung box rim urinal of modern design with a concealed trap and easy to clean surfaces for low cost maintenance. The box rim concept provides for a wash down flush which cleans the inside area of the bowl on each activation. The urinal is available with push on wall waste pipe connection. The specially designed waste trap efficiently remove trap contents on each flush. The grate is specially designed in vitreous china and factory fitted with vandal resistant fittings.

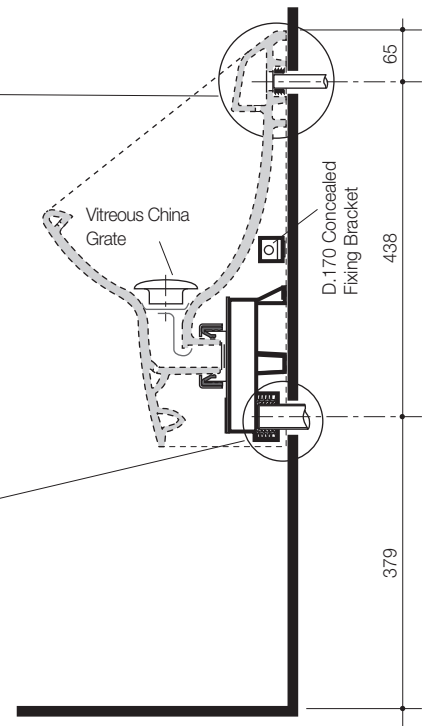
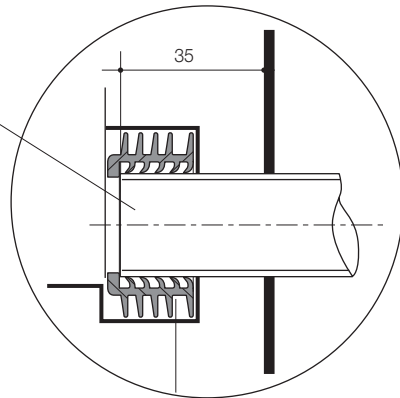
- Traps:** P-trap – Code No.678210.
- Inlet:** Back inlet for concealed 19mm sparge pipe and compression rubber fitting.
- Outlet:** The urinal trap is connected to the wall waste pipe which allows for a simple push on urinal connection.
- Flush Action:** Box rim.
- Minimum Flow:** 20 l/min. to the urinal.
- Cistern:** Caroma concealed cistern options available – **Invisi** 1.8 litre Inwall/Induct/Inceiling for 1 stall 3 star installation, conversion to 4 litre max for 2 stall 1 star installation or 6 litre max for 3 stall 0 star installation. For button options see Section 6. **Invisi II** Inwall/Induct/Inceiling (available November 2008), see Section 6.
- Flushvalves:** Suitable for connection with flushvalves and electronically activated valves.
- Fixing:** The **Leda** urinal is fixed to the wall with the D.170 Concealed Fixing Bracket supplied.
- Colours:** White only.
- Dimensions:** All dimensions are in millimetres and are subject to normal manufacturing variations. Caroma pursues a policy of continuing improvement in design and performance of its products. The right is therefore reserved to vary specifications without notice.



Inlet Pipe and Push on Wall Waste Pipe Installation



50mm or 40mm Brass options or 40mm PVC DWV
Kee Seal available for 50mm Brass option



Setout Dimensions and Wall Waste Trap Fixing Detail

Suitable for connection to 50mm Brass waste pipe (separate Kee Seal required) and 40mm Brass or 40mm PVC SWV

