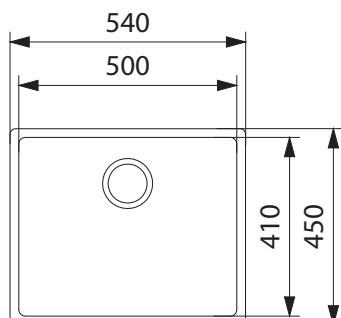


# FRANKE

## BOW SINGLE BOWL

### INSET/UNDERMOUNT/FLUSHMOUNT SINK - BXX 210-50



#### FEATURES

<b>Model</b>	BXX 210-50
<b>Bowl configuration</b>	Single bowl
<b>Bowl(s)</b>	Stainless steel with cr=12 mm corners and rear waste
<b>Finish</b>	Stainless steel
<b>Fixing</b>	Fixing clips
<b>Colours</b>	N/A

#### SPECIFICATIONS

<b>Recommended use</b>	Domestic
<b>Material</b>	Stainless steel
<b>Formation</b>	Welded
<b>Tap Holes</b>	N/A
<b>Dimensions</b>	540 x 450 mm
<b>Bowl Size</b>	500 x 410 x 200 mm/41 L
<b>Cut Out</b>	Template
<b>Cabinet Size</b>	600 mm
<b>Waste Outlet</b>	90 mm
<b>Features</b>	Waste to rear, sound deadening pads, bowl insulation, fast fix installation system
<b>Accessories</b>	Please refer to website for more information
<b>Models available</b>	BXX 210-36 BXX 220-36/36 BXX 210-68



To see the complete FRANKE range go to [www.reece.com.au/bathrooms](http://www.reece.com.au/bathrooms)

#### CLEANING RECOMMENDATIONS

We recommend the use of soapy water or approved cleaners.

This product should not be cleaned with abrasive materials.

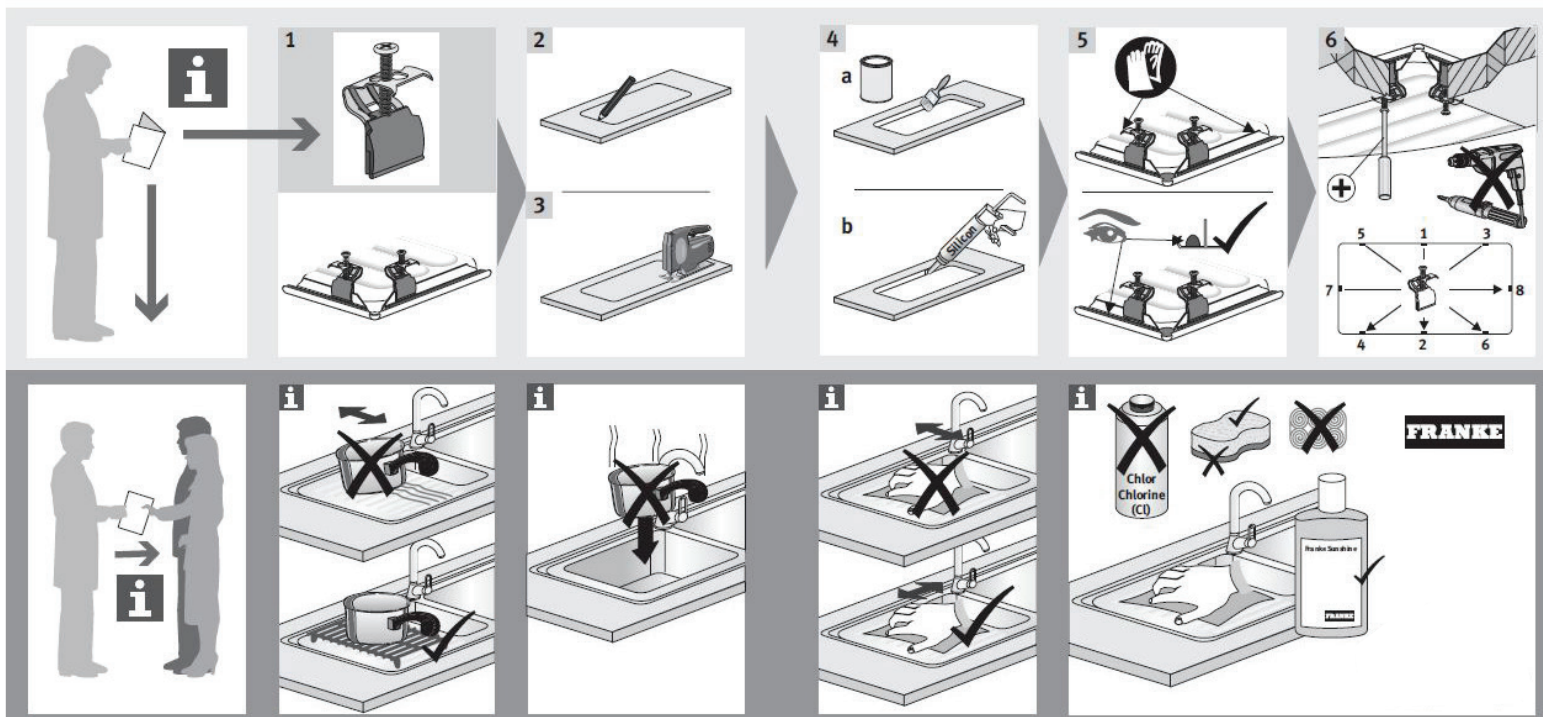
Damage caused by any improper treatment is not covered by the product warranty - refer to Warranty Conditions.

Disclaimer: Products in this specification manual must by regulation be installed by licensed and registered trade people. The manufacturer/distributor reserves the right to vary specifications or delete models from their range without prior notification. Dimensions are nominal measurements only. Dimensions and set-outs listed are correct at time of publication however the manufacturer/distributor takes no responsibility for printing errors.

# FRANKE

## BOW SINGLE BOWL INSET/UNDERMOUNT/FLUSHMOUNT SINK - BXX 210-50

### INSTALLATION INSTRUCTIONS - INSET



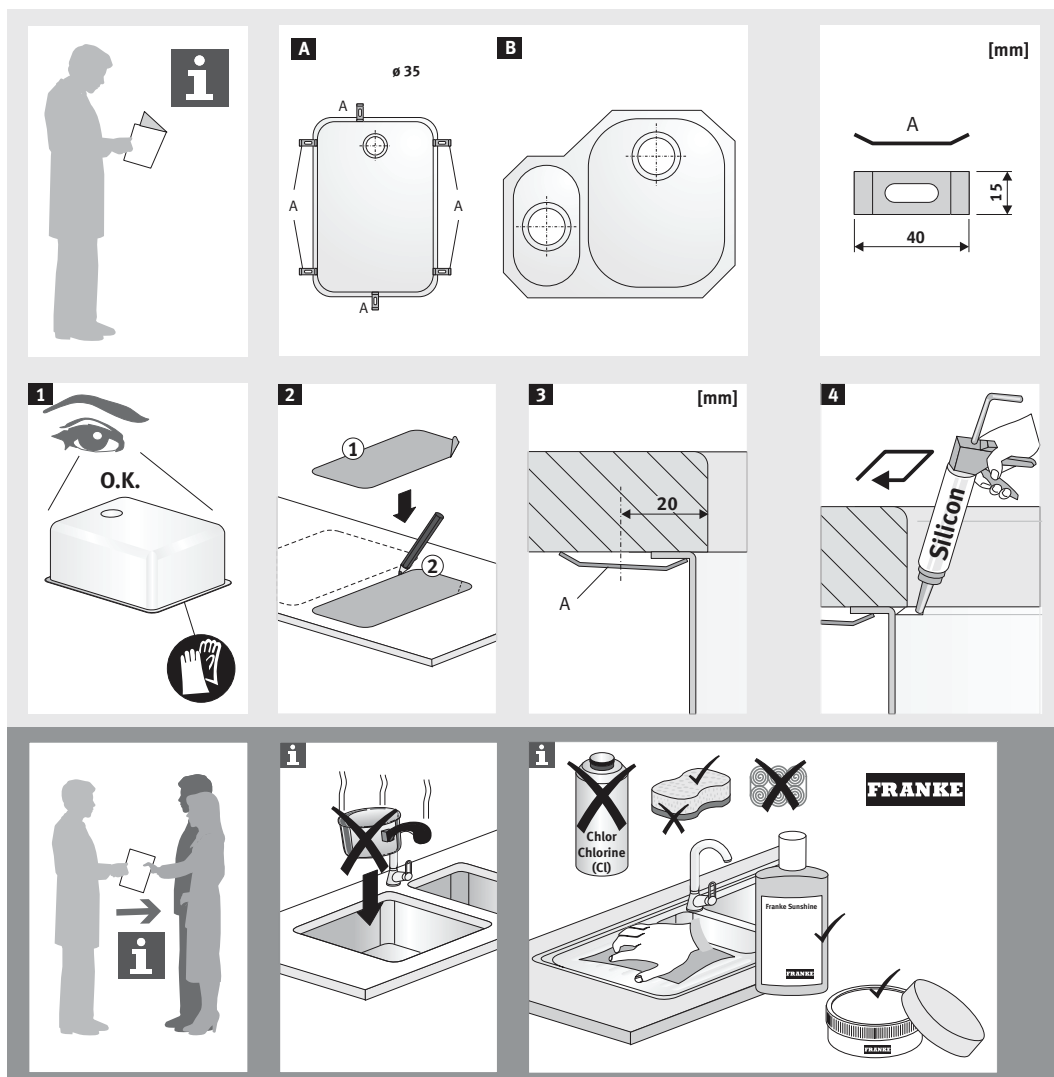
Plumbers, please ensure a copy of the installation instructions is left with the end user for future reference



# FRANKE

## BOW SINGLE BOWL INSET/UNDERMOUNT/FLUSHMOUNT SINK - BXX 210-50

### INSTALLATION INSTRUCTIONS - UNDERMOUNT



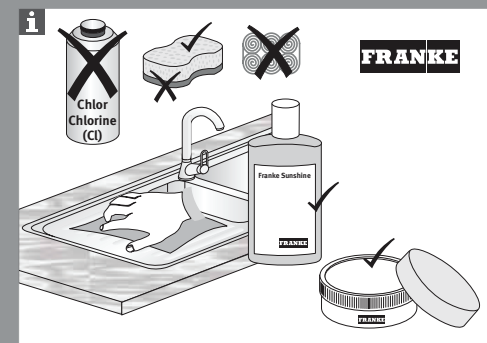
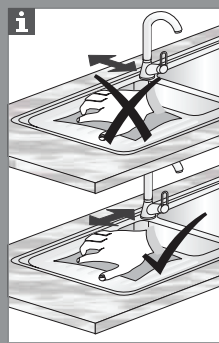
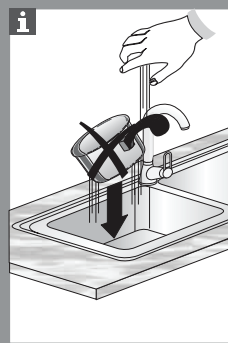
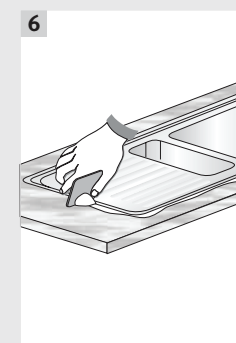
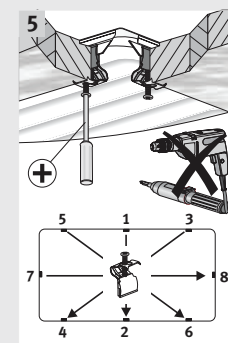
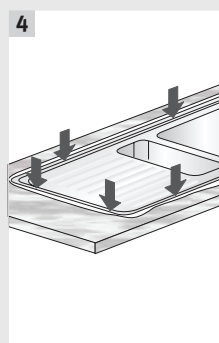
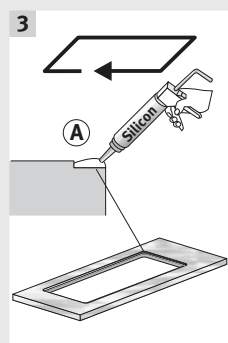
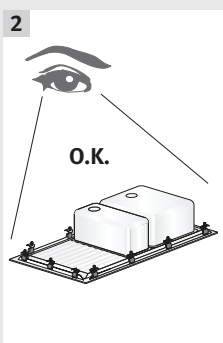
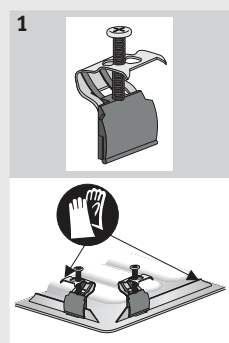
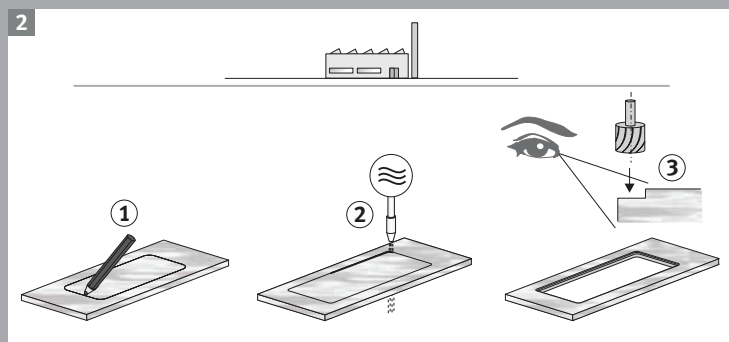
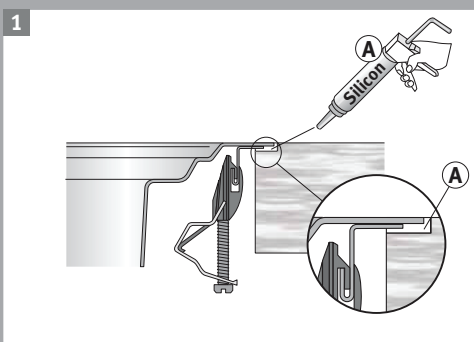
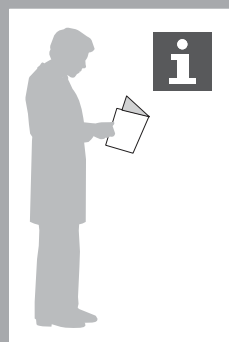
Plumbers, please ensure a copy of the installation instructions is left with the end user for future reference



# FRANKE

## BOW SINGLE BOWL INSET/UNDERMOUNT/FLUSHMOUNT SINK - BXX 210-50

### INSTALLATION INSTRUCTIONS - FLUSHMOUNT



Plumbers, please ensure a copy of the installation instructions is left with the end user for future reference

