



Franke Flash FLX621LHD Sink

SPECIFICATIONS

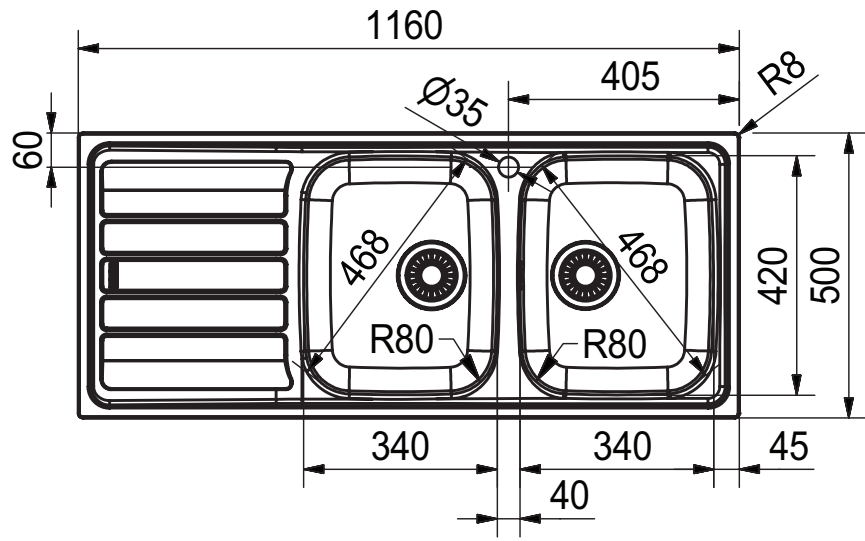
Recommended Use	Domestic, Hotel & Commercial
Material	Stainless Steel
Bowl Type	Double Bowl
Bowl Configuration	Drainer
Sink Installation	Topmount Sink
Minimum Cabinet Size	800mm
Waste Type	Semi Integrated Waste
Overflow	Yes
Taphole	1 x Tap Hole
Product Template	Please see PDF instructions



WARRANTY

Warranty - Domestic Use	50 Years
Spare Parts & Labour	12 Months

Please refer to Warranty Page for full Terms and Conditions



Dimensions are nominal measurements only.

Disclaimer: Products in this specification manual must by regulation be installed by licensed and registered trade people. The manufacturer/distributor reserves the right to vary specifications or delete models from their range without prior notification. Dimensions are nominal measurements only. Dimensions and set-outs listed are correct at time of publication however the manufacturer/distributor takes no responsibility for printing errors.

Published 26/04/2021

