

SPARE PARTS

RBA Code Number
RBA8900-999-002

Part Description
Replacement cartridge

TROUBLE SHOOTING

PROBLEM	POSSIBLE CAUSES	SOLUTION
No flow or low volume	Water turned off. Inlet strainer blocked.	Turn on. Remove and clean.
Water flows continuously	Cartridge blocked with dirt or cartridge damaged	Remove and clean. Replace the cartridge*
Leak under knob	Loose screws or cartridge damaged	Tighten brass screw under white flow adjustment screw. Replace the cartridge*
Short or long flow stream	Low or high pressure	Rectify supply pressure as per hydraulic requirements
Short or long flow stream	Cartridge adjustment required	Remove button, adjust white screw in cartridge clockwise to reduce, or counter clockwise to increase.

*Replacement Cartridge Model RBA8900-999-002

Note: This product should be installed, by suitably qualified persons, in a fit for purpose application, to suitable materials, using suitable fixings and comply with any relevant codes. It should be inspected periodically for signs of wear and tear that may affect performance or safety.

Dimensions are subject to manufacturer's tolerance of +/-10mm. Rough-in should be completed with each fixture.

Important: Installation Instructions are subject to change without notice.

Please visit www.rba.com.au for latest revision.



RBA8903-102
RBA8903-151

FREE STANDING DRINKING FOUNTAIN
JUNIOR HEIGHT VERSION



Model	RBA8903-102
Date	10/03/20
Doc#	ii/ RBA8903-102/0320

Supersedes all previous

COMPONENTS

Stainless Steel Drinking Fountain
 Stainless Steel Fixing Bracket
 CP Bubbler
 Security Screws and bit

PRE-INSTALLATION

Installation should be in accordance with AS/NZS 3500.1 & AS/NZS 3500.2, local authority and statutory requirements, and as per these installation instructions.

1. Water and waste supply should be provided through the floor in the locations shown on the drawing.
2. 40mm 'S' trap on waste (by others)
3. Water should be able to be isolated from inside the unit and be flushed prior to connections

INSTALLATION

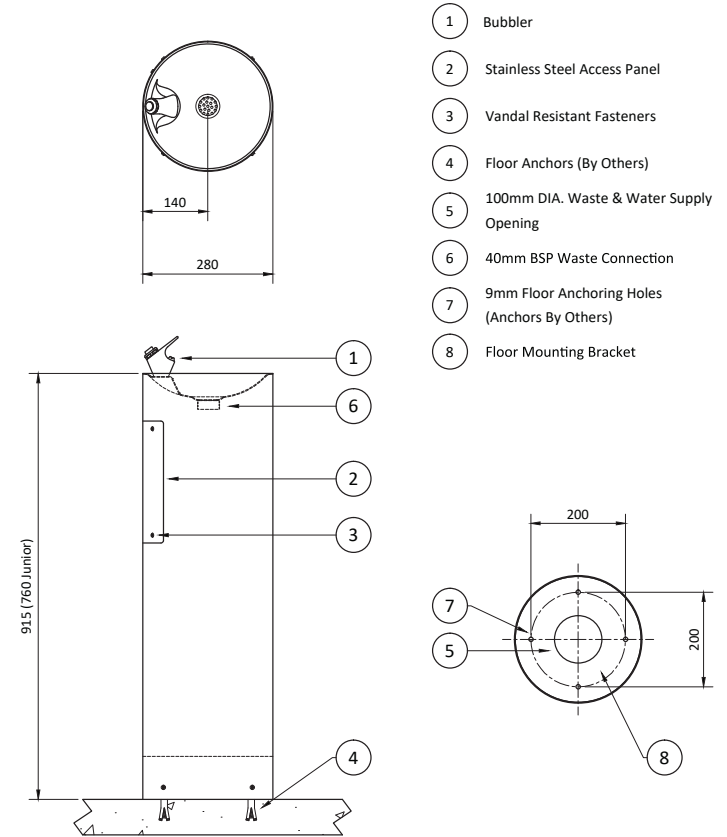
1. Remove the access panel from the unit using the security bit provided.
2. Mark the fixing holes in the base of the unit. Remove the unit, drill the floor, fit floor anchors (by others) and re-fit the unit.
3. Ensure that the unit is securely fitted to the frame and make te necessary water and waste connections.
4. Check for leaks and replace the access panel.

NOTE: BUBBLER WILL NOT TOLERATE DIRT OR GRIT AND WILL NOT SHUT OFF IF CONTAMINATED

HYDRAULIC REQUIREMENTS

Pressure: Min: 200kPa Max: 500kPa
 Inlet Connection: G½B inlet connection
 Outlet Connection: 40mm BSP Waste connection
 Water Temperature: 4 - 30oC

INSTALLATION



RBA8903-102 FREE STANDING DRINKING FOUNTAIN

Unit is a free standing drinking fountain fabricated of 1.6mm thick, type 304 stainless steel with exposed surfaces polished to a satin finish. Smooth radiused design eliminates sharp corners. Supplied with CP self closing, push button bubbler with mouth shield.