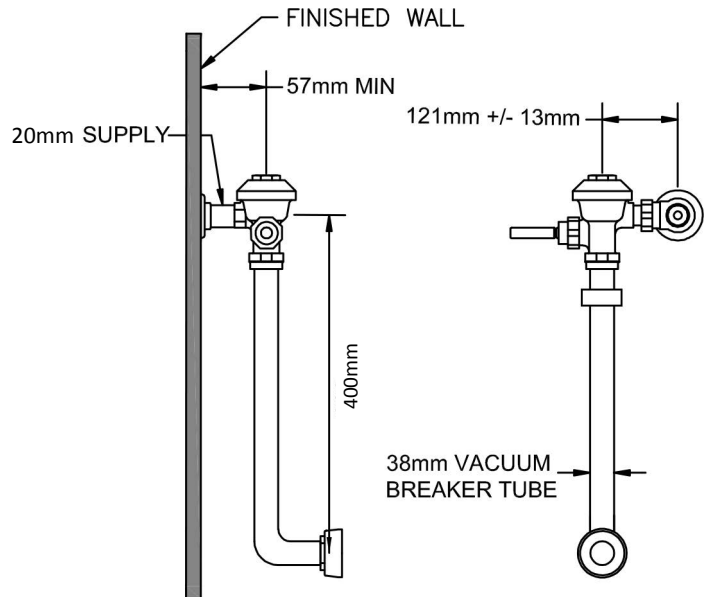


Z-6040XL

MAINS PRESSURE EXPOSED FLUSH VALVE (URINAL)

Dimensional Data (mm) are Subject to Manufacturing Tolerances and Change Without Notice



FEATURES - ZURN Z-6040XL

- Mains Pressure Exposed Flush Valve for Urinals
- Quiet diaphragm-type, chrome plated flushometer valve with polished exterior
- Complete with Chloramine resistant, dual seal diaphragm with clog-resistant bypass
- Non-hold open and no-leak handle feature
- High back pressure vacuum breaker
- Control stop has internal siphon-guard protection
- Chloramine resistant internal seals
- Flush pipe included

ENGINEERING SPECIFICATION

- Min water supply pressure - 175kPa
- Max water supply pressure - 350kPa
- Flush volume - Adjustable
- Flow rate required - 1.5L per sec
- BSP stop valve - 20mm

STANDARDS COMPLIANCE

- Australian Watermark Approved Licence No. WM-00307
- WELS – 3 Star – 1.1L
- WELS Registration No. U00463

