



WOLFEN™

INSTALLATION MANUAL

252418 Wolfen 122° Wall Bubbler

252465 Wolfen 90° Wall Bubbler

252419 Wolfen Hob Bubbler

252420 Wolfen Remote Button Bubbler





WOLFEN™

CONTENTS

Intro	03
Technical Information	04
Unit Components	08
Installation Instructions	12
Warranty	14

Delivering unrivalled quality

Designed for absolute performance, Wolfen's commercial bubbler products set new standards in quality and durability. Ergonomic design combined with precision engineering ensures that every Wolfen product is easy-to-use and made to last. Here are just some of the many innovative features that make Wolfen bubblers the smart solution.

Infection control

- Recessed spray nozzle avoids contact with user

Commercial durability

- UV treated rubber guard

Installation and servicing

- Simple allen key run time adjustment
- 0-55 second adjustable
- Supplied with inlet strainer

Usage features

- Soft spring for easy use
- Protective rubber guard for safety

Application

- Education
- Sports and leisure



Suitable for High Pressure applications
(minimum 150kPa)

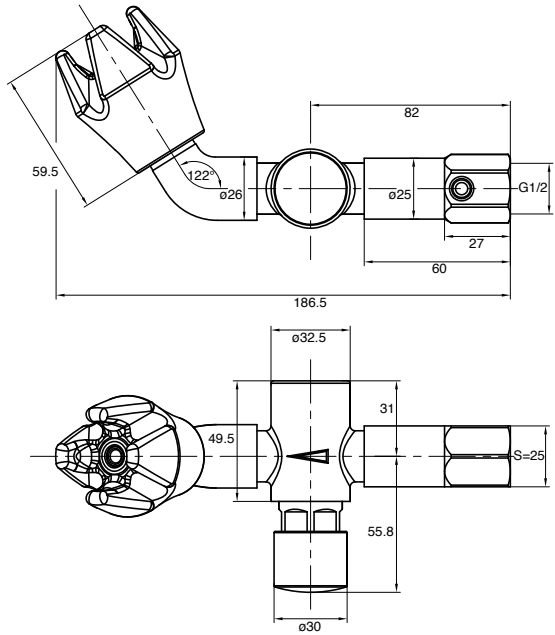
TECHNICAL INFORMATION

Model	122° Wall Bubbler	90° Wall Bubbler
Product Code	252418	252465
Product Type	Bubblers	Bubblers
Colour	Chrome / Rubber Guard	Chrome / Rubber Guard
Finish	Polished	Polished
Material	Brass	Brass
Cartridge Type	Press Timed Flow Cartridge	Press Timed Flow Cartridge
Min Continuous Flow Working Pressure	150kPa	150kPa
Max Continuous Flow Working Pressure	500kPa	500kPa
Min Continuous Working Temperature	5°C	5°C
Max Continuous Working Temperature	50°C	50°C
Max Static Pressure	500kPa	500kPa

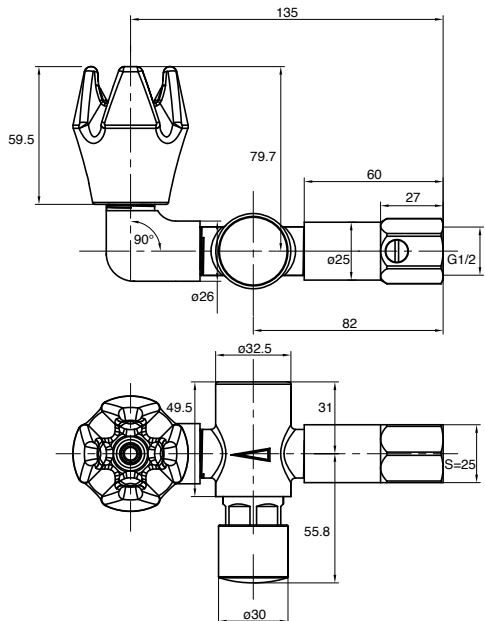


Wolfen 122° Wall Bubbler

252418


Wolfen 90° Wall Bubbler

252465



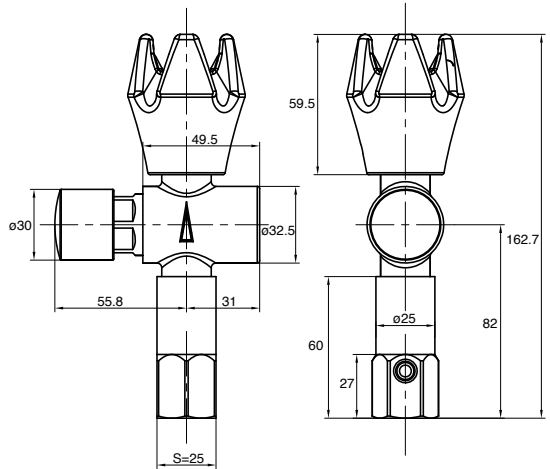
TECHNICAL INFORMATION

Model	Hob Bubbler	Remote Button Bubbler
Product Code	252419	252420
Product Type	Bubblers	Bubblers
Colour	Chrome / Rubber Guard	Chrome / Rubber Guard
Finish	Polished	Polished
Material	Brass	Brass
Cartridge Type	Press Timed Flow Cartridge	Press Timed Flow Cartridge
Min Continuous Flow Working Pressure	150kPa	150kPa
Max Continuous Flow Working Pressure	500kPa	500kPa
Min Continuous Working Temperature	5°C	5°C
Max Continuous Working Temperature	50°C	50°C
Max Static Pressure	500kPa	500kPa

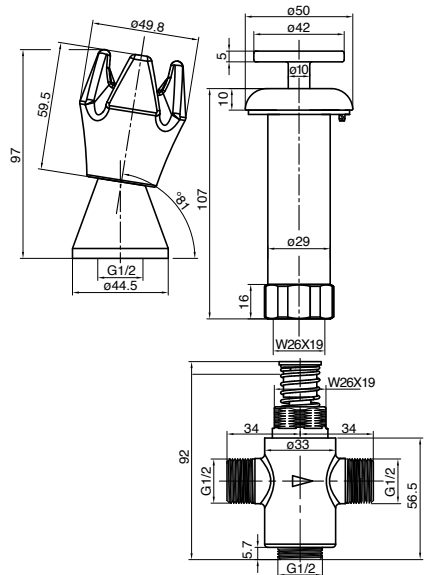


Wolfen Hob Bubbler

252419


Wolfen Remote Button Bubbler

252420

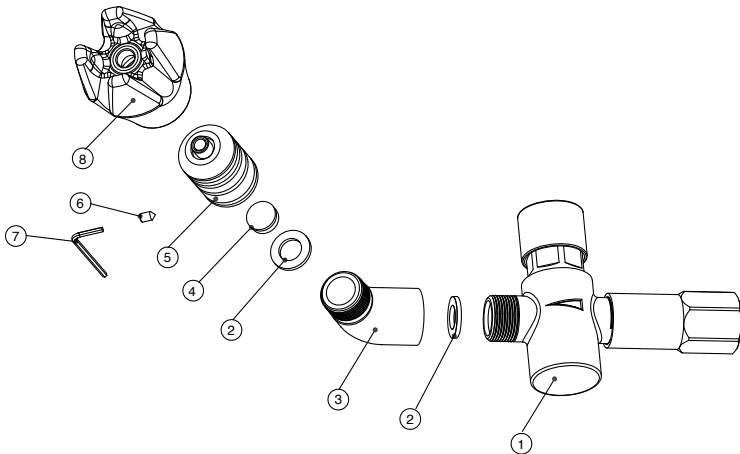


UNIT COMPONENTS

Wolfen 122° Wall Bubbler

252418

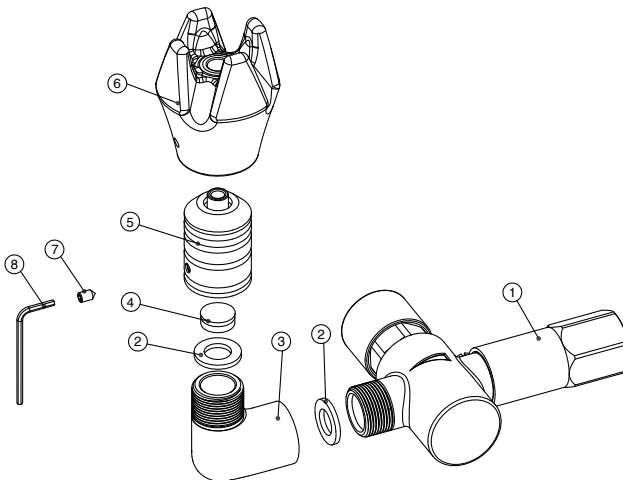
No.	Code	Description	Qty
01		Time Flow Value and Connector Assembly	1
02	1702-5	Ø 19x Ø 11x3 Rubber	2
03	84060562	122° Elbow	1
04	587404	Aerator	1
05	84090546	Bubbler Body	1
06	BMB21-1	M4x7 Screw	1
07	93006	S2 Allen Key	1
08	81000099	Bubbler	1



Wolfen 90° Wall Bubbler

252465

No.	Code	Description	Qty
01		Time Flow Value and Connector Assembly	1
02	1702-5	Ø 19x Ø 11x3 Rubber	1
03		90° Elbow	1
04	587404	Aerator	1
05	84090546	Bubbler Body	1
06	81000099	Bubbler	1
07	BMB21-1	Grub Screw	1
08	93006	Allen Key	1

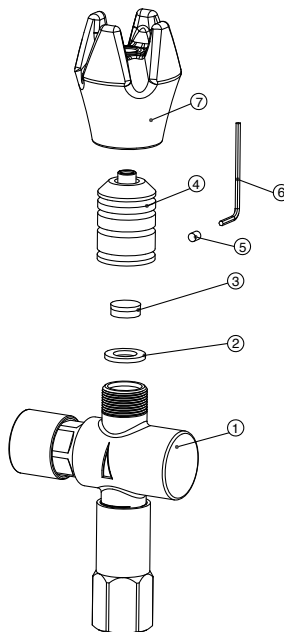


UNIT COMPONENTS

Wolfen Hob Bubbler

252419

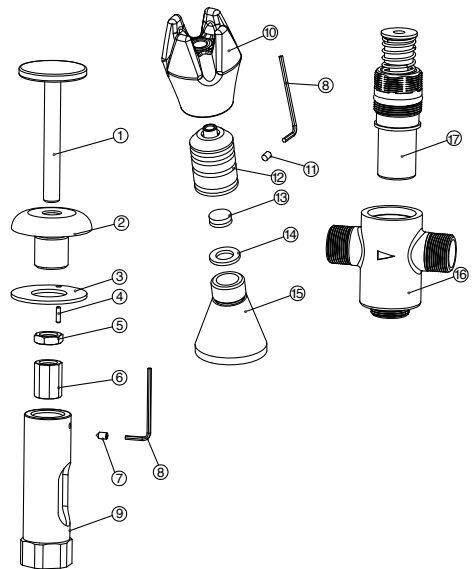
No.	Code	Description	Qty
01		Time Flow Value and Connector Assembly	1
02	1702-5	Ø 19x Ø 11x3 Rubber	1
03	587404	Aerator	1
04	84090546	Bubbler Body	1
05	BMB21-1	M4x7 Screw	1
06	93006	S2 Allen Key	1
07	81000099	Bubbler	1



Wolfen Remote Button Bubbler

252420

No.	Code	Description	Qty
01	84060682	Pressure Lever	1
02	84060683	Cap	2
03	84000670	Ø 47x Ø 22 x 2 Washer	1
04	92029	2.5 x 10 Spring Pin	1
05	82000100	M10 Nut	1
06	84000680	Push Button	1
07	BEMBAC-9	M4 x 5 Screw	1
08	93006	S2 Allen Key	1
09	84060681	Extension Sleeve	1
10	81000099	Bubbler	1
11	BMB21-1	M4 x 7 Screw	1
12	84090546	Bubbler Body	1
13	587404	Aerator	1
14	1702-5	Ø 19 x Ø 11 x 3 Rubber	1
15	83060374	Inlet	1
16		Time Flow Body	1
17		Time Flow Mechanism	1



INSTALLATION INSTRUCTIONS

Important Note

The product must be installed to the requirements of AS/NZS 3500 by a qualified plumber. The product comes to you already factory assembled and tested. We do not recommend the dismantling of any internal part of the product. The products are factory tested and sealed so as to give the best performance.

1. Please flush out new pipe work prior to connecting the new bubbler / drinking tap.
2. All bubblers should be installed with isolating stop cocks (Arco brand recommended).
3. This tap is suitable for high pressure applications where cold water supply pressures are at 150kPa or above.
4. We recommend that a line strainer be installed prior to the bubbler / drinking tap to eliminate any foreign material.
5. The drinking taps are fitted with a flow restrictor. When applying thread tape or sealant to the inlet, ensure the opening is not obscured. Failure to do so may restrict or block the flow restrictor, affecting the flow of water.

Regulating the water flow:

- Remove the top cap and use the allen key to adjust flow anti-clockwise for more water and clockwise for less water.

Removing the top assembly:

- Use an open ended spanner, grip firmly and turn anti-clockwise.

Adjust flow timing:

- Insert allen key into the guide in the push button. Turn clockwise to reduce flow timing. Turn anti-clockwise to increase water flow timing.

TROUBLESHOOTING

Inconsistent flow	<ul style="list-style-type: none">• Blocked flow restrictor• Dirt in the top assembly cartridge
No water	<ul style="list-style-type: none">• Supply of water not on• Blocked flow restrictor
Continuous flow	<ul style="list-style-type: none">• Top assembly cartridge loose or internally obstructed or damaged. Remove cartridge, clean with water and re-grease if required
Rate of flow inadequate	<ul style="list-style-type: none">• The flow restrictor may not be adequate. Remove flow restrictor and replace with a WELS approved replacement of different capacity to suit
Button hard to press	<ul style="list-style-type: none">• The mains pressure is too great. Reduce to below 500kPa (the maximum continuous working pressure)• Regrease spindle if required

REECE PRODUCT QUALITY GUARANTEE



You have purchased a quality product from Reece Australia Pty Ltd ABN 84 004 097 090 ("Reece"). This product is covered by a 5 year replacement product warranty and a 12 month warranty over spare parts and labour.

5 YEAR WARRANTY

This warranty covers faults in the product construction, material and assembly. Products which are within 5 years from the date of purchase, found upon inspection by an authorised Reece representative, to be defective in construction, material or assembly, will be repaired or exchanged with an equivalent product free of charge. Replaced items become Reece's property.

All replacement products will be available for collection without charge to the customer at the nearest Reece branch to the customer's location, or elsewhere as agreed between the customer and Reece.

Labour and Spare Parts

The labour for the replacement of products and spare parts to which this warranty applies will be supplied by Reece or relevant supplier using licensed plumbers engaged by Reece or relevant supplier within 1 year from the date of purchase. Spare parts other than those listed in the Manufacturer's Provisions above, which are within 1 year from the date of purchase found upon inspection by an authorised Reece representative to be defective in construction, material or assembly, will be replaced free of charge.

Warranty Conditions

This warranty will apply only under all of the following conditions:

- The item has been installed by a licensed plumber
- Failure is due to a fault in the manufacture of the product
- Proof of purchase (including the date of purchase) is provided
- The installation of the product is in accordance with the instructions provided

This warranty does not cover products purchased as an ex-display without being fully checked and tested for sale by the manufacturer.

This warranty does not include faults caused by:

- Unsuitable or improper use
- Incorrect installation or installation not in accordance with the instructions provided
- Installation or part installation by the purchaser or any person other than a LICENSED PLUMBER
- Normal wear and tear
- Inadequate or complete lack of maintenance
- Chemical, electrochemical or electrical influences
- Harsh detergents or abrasive cleaners used on product finishes

EXCLUSIONS

To the fullest extent permitted by law, Reece excludes all liability for damage or injury to any person, damage to any property, and any indirect consequential or other loss or damage.

CLAIM PROCEDURE

For all warranty queries customers are to contact the branch where the product was purchased. These details can be found on your purchase invoice.

Our goods come with guarantees that cannot be excluded under the Australian Consumer Law. You are entitled to a replacement or refund for a major failure and for compensation for any other reasonably foreseeable loss or damage. You are also entitled to have the goods repaired or replaced if the goods fail to be of acceptable quality and the failure does not amount to a major failure.

Don't risk it, use a licensed plumber.™

IF AFTER CHECKING THE
INSTALLATION INSTRUCTIONS
AND IMPORTANT
INFORMATION, THE PROBLEM
HAS NOT BEEN IDENTIFIED,
PLEASE CONTACT GENTEC
CUSTOMER SUPPORT ON:

+61 2 9211 4422 or
info@gentecaustralia.com.au



WOLFEN™

reece.com.au/wolfen