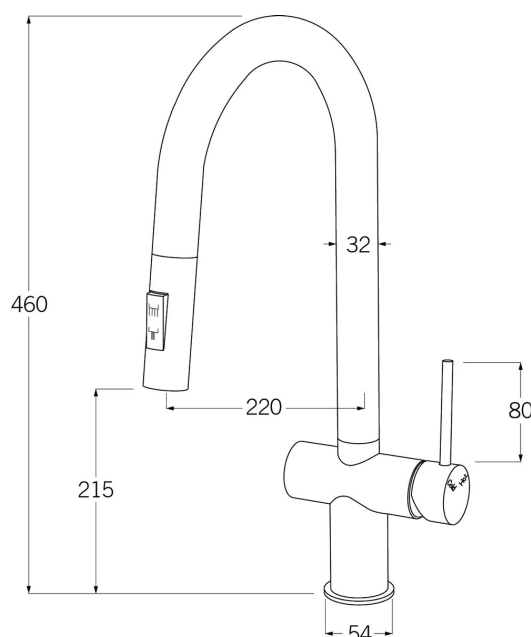


S U S S E X

SCALA GOOSENECK PULL OUT SINK MIXER 2F



Dimensions are nominal measurements only.

SPECIFICATIONS

Recommended Use	Domestic, Hotel and Commercial
Finish	Chrome
Material	Brass
Pressure Rating	Recommended working pressure 300 - 500 kPa Water pressure is not to exceed 750 kPa.
Temperature Rating	Min 1° - Max 55°
Suitable Hot Water Units	Storage Tank: Yes Continuous Flow: Yes Gravity Feed: Not recommended
WELS	Stars: 5 Flow rate: 6 L/Min
Standards	AS/NZS 3718



To see the complete SCALA range go to www.reece.com.au/bathrooms

CLEANING RECOMMENDATIONS

We recommend the use of soapy water or approved cleaners.

This product should not be cleaned with abrasive materials.

Damage caused by improper treatment is not covered by the product warranty - refer to warranty conditions.



Disclaimer: Products in this specification manual must by regulation be installed by licensed and registered trade people. The manufacturer/distributor reserves the right to vary specifications or delete models from their range without prior notification. Dimensions are nominal measurements only. Dimensions and set-outs listed are correct at time of publication however the manufacturer/distributor takes no responsibility for printing errors.

Tech Page Version 1



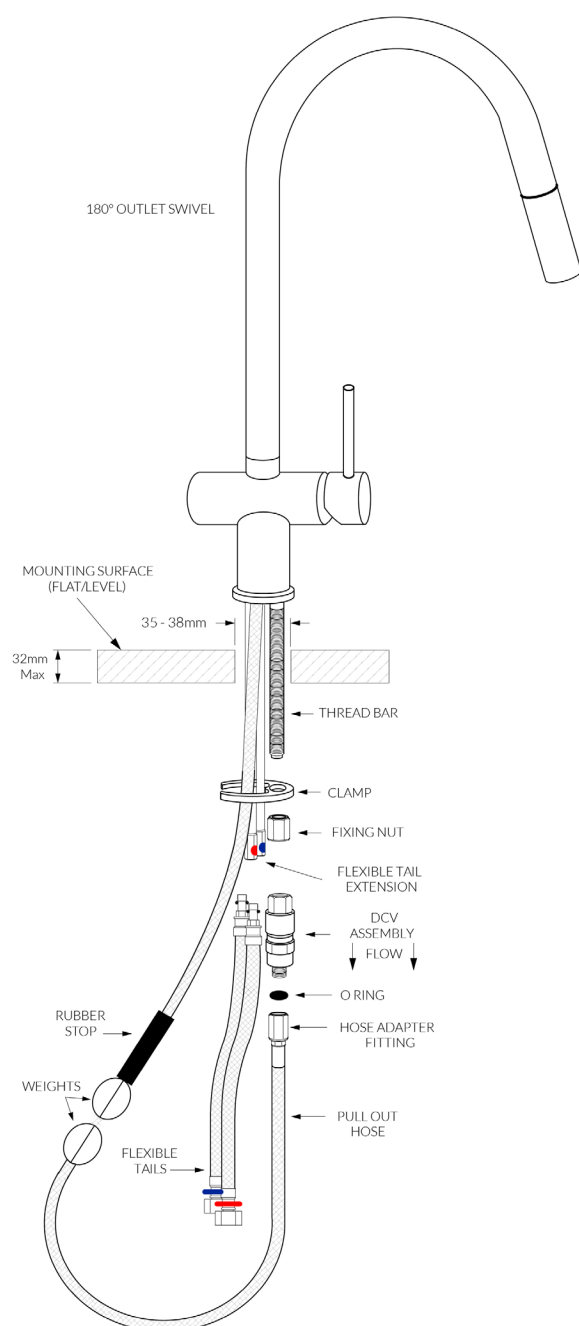
S U S S E X

SCALA GOOSENECK PULL OUT SINK MIXER 2F

INSTALLATION INSTRUCTIONS

Tapware is to be installed by a Licensed Plumber in accordance with AS/NZS 3500:2003

Recommended working water pressure 300-500 kpa. Maximum water temperature is 65 deg.c.



Installation Guidelines

- Ensure adequate cupboard space has been provided to allow the Pull-out hose to move freely.
 - Prior to installing the mixer, remove the Clamp and Fixing Nut from the assembly.
 - Remove the Weights from Hose.
 - Ensure a 35 - 38mm clearance hole is provided through the mounting surface.
 - Pass the Pull-out Hose through the hole and lower the Mixer onto the mounting surface.
 - Working from underneath, fit the Clamp and Fixing Nut.
 - Gently bend the Flexible Tail Extensions away from the Thread Bar and Pull-out Hose.
 - Use the provided Tube Spanner to tighten and secure the Mixer to the mounting surface.
 - Attach the DCV Assembly to the Thread Bar (note the arrow direction).
 - DCV has an O-ring seals. No need for thread tape.
 - Connect the Pull-out Hose to the DCV Assembly and tighten well.
- NOTE: Do not remove the Hose adapter fitting from the Pull-out Hose.
- Attach the Weights (2) to the Hose, ensure the Rubber stop is between the Clamp and the Weights.
 - The maximum recommended length of Nozzle pull-out is approximately 400mm.
 - Connect the provided Hot and Cold Flexible tails to the Mixer.
 - Connect the Hot and Cold Flexible tails to the corresponding 1/2" BSP water feed lines.
 - The 1/2" connection of the Flexible tails have a conical seal, ensure the mating threads are cut square and burr free.
 - Isolating stop valves are recommended with all installations. (Not supplied).
 - Ensure all fittings and connections are watertight.
 - Check Mixer functions correctly with a smooth action.

Plumber Note

- On-site testing using higher water pressures must be conducted with the Mixer in the closed position. (STATIC TEST)
- Under no circumstances is the Mixer to be opened when exceeding the maximum stated water pressure.
- At the completion of testing, do not relieve any high water pressure by opening the Mixer.
- Exposing the internals of the Mixer Cartridge to higher than specified water pressures will void the manufacturers warranty

Tapware is to be installed by a Licensed Plumber in accordance with AS/NZL 3500

Plumbers, please ensure a copy of the installation instructions is left with the end user for future reference.