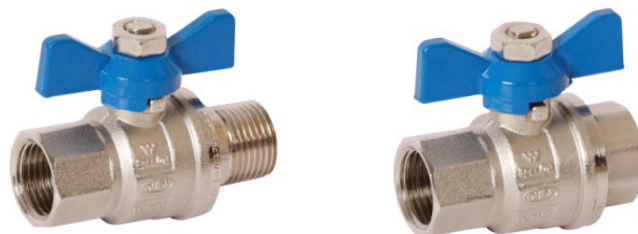


DURA EAGLE BALL VALVE WITH BUTTERFLY HANDLE - WATER

15mm – 20mm

SPECIFICATIONS

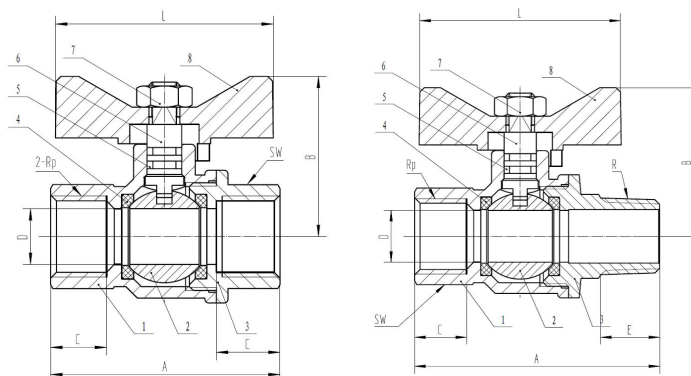
Recommended use	Suitable for line assembly in pipeline with the principle aim to open and close flow in distribution systems. Suitable for hot and cold water applications.
Features	Quarter Turn Operation Real Full Bore 100% Tested Chrome Plated DR Brass Ball
Working Pressure	PN20 / 2000 kPa
Temperature Range	-20°C to +100°C
Warranty	12 Months
Standards	ATS 5200.012
Watermark	WMKA00683
Threads	Internal: Rp Series AS / ISO 7.1 External: R Series AS / ISO 7.1



PHYSICAL SPECIFICATIONS

1 Body	DR Brass
2 Ball	DR Brass Chrome Plated
3 Bonnet	DR Brass
4 Seal Ring	PTFE
5 O-Ring	EPDM
6 Spindle	DR Brass
7 Nut	Steel
8 Handle	Aluminium Alloy

PRODUCT CONFIGURATION



SPECIFICATIONS

Product Code	Product Description	Size	A	B	C	D	E	L	SW
		DN	mm	mm	mm	mm	mm	mm	mm
9502866	DURA EAGLE B/V B/FLY HDL WATER F&F 15MM	15	60	41.5	16.5	14.5	-	56.5	25.2
9502867	DURA EAGLE B/V B/FLY HDL WATER F&F 20MM	20	68	47.5	18.5	19	-	64.5	31.5
9502868	DURA EAGLE B/V B/FLY HDL WATER M&F 15MM	15	68.5	41.5	16.5	14.5	16.5	56.5	25.2
9502869	DURA EAGLE B/V B/FLY HDL WATER M&F 20MM	20	78	47.5	18.5	19	18.5	64.5	31.5