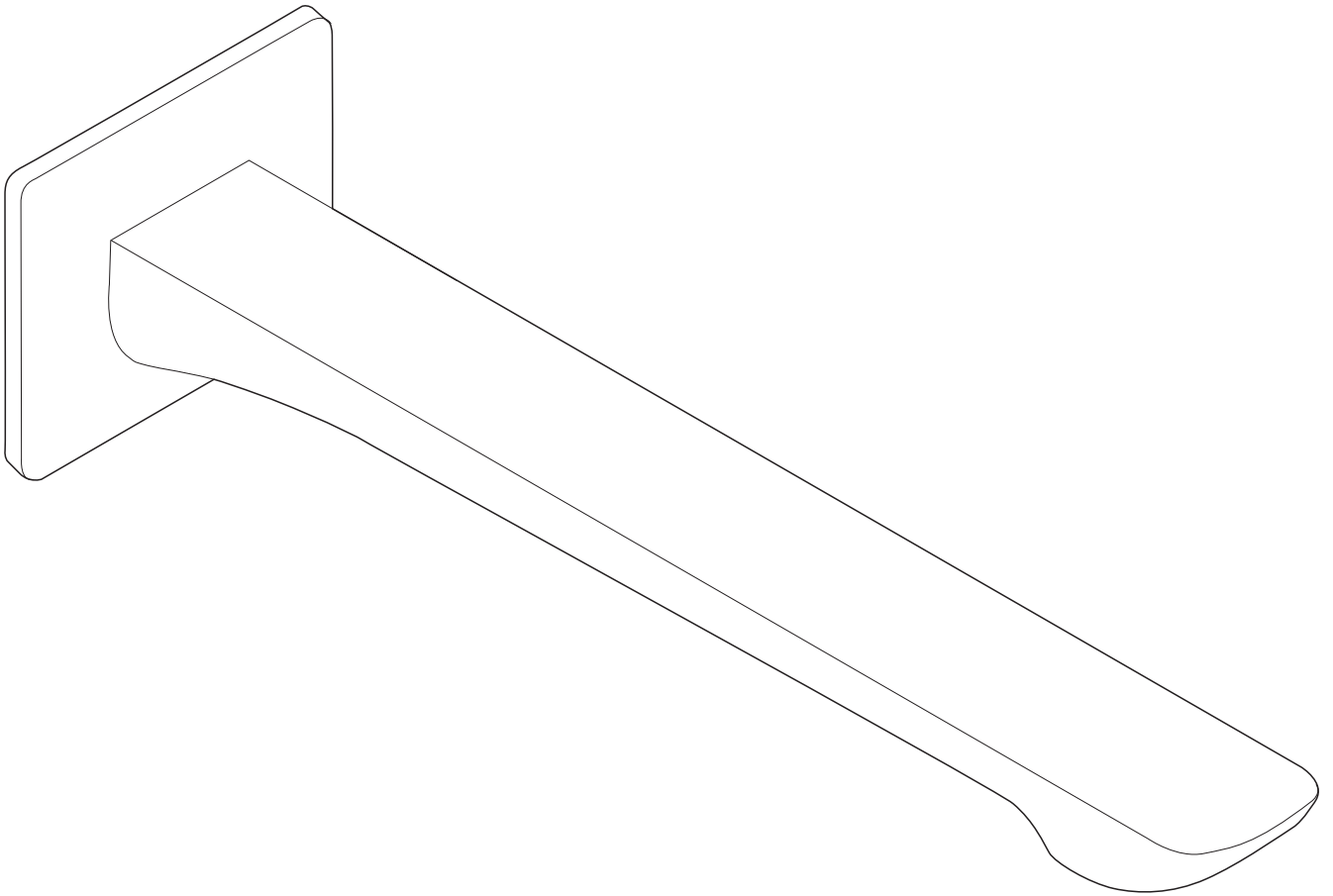
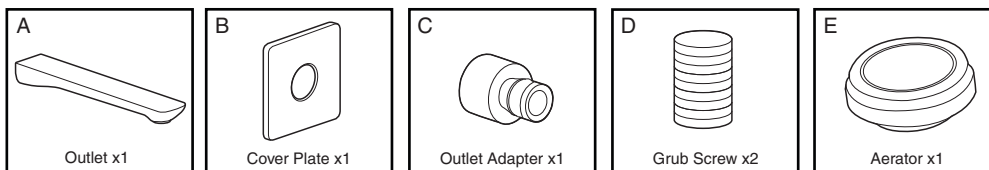




Milli Trace Bath Outlet

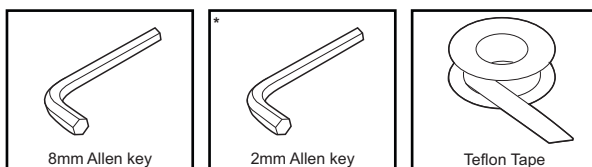


Components Supplied



Tools Required

* Included In Kit



Installation Instructions



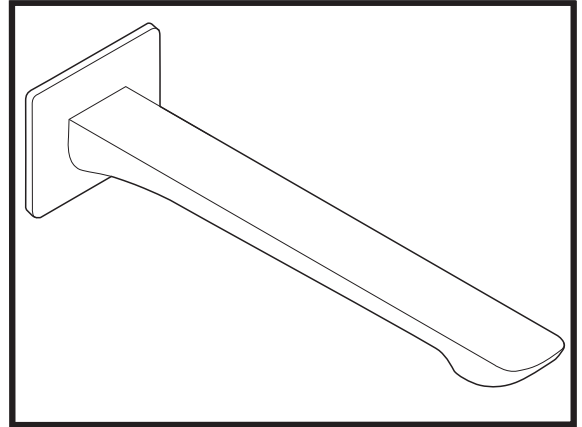
Bath Outlet must be installed to the requirements of AS/NZS 3500 by a qualified plumber.

Milli Trace Bath Outlet

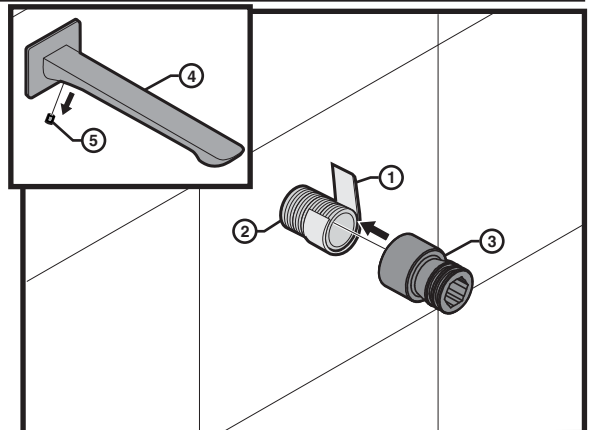
Installation Instructions

Please consult with qualified Plumber to confirm appropriate compliant installation.

Important **Flush out new pipe work prior to connecting the new Bath Outlet.**

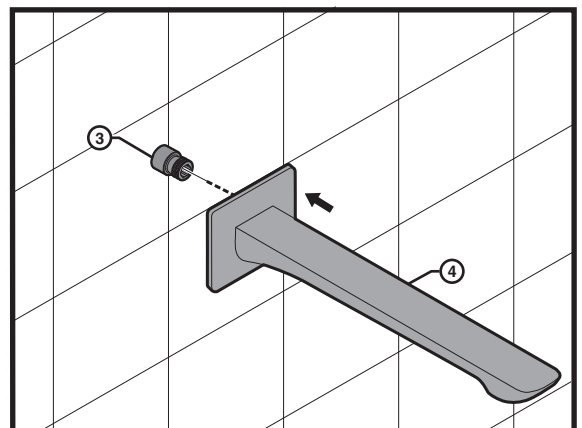
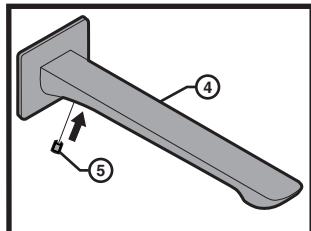


- Note: Teflon Tape (1) must be applied to the male wall nipple (2) before fitment of the Outlet Adapter(3).**
- Bath Outlet (4) must be installed to a exposed male wall nipple (2) that is at least 9mm to 14mm extended out from the wall.
 - Use included 2mm Allen key to loosen the two Grub Screws (5) on the underside of the Bath Outlet (4).
 - Remove Outlet Adapter (3) from back of Bath Outlet (4).
 - Use a 8mm Allen Key to fit the Outlet Adapter (3) to the male wall nipple (2) until adapter inlet meets the finished wall.



- Insert the Bath Outlet (4) body to the Outlet Adapter (3) and re-secure the Grub Screws (5).

Important **Check for leaks.**



Care Details

We recommend the use of soapy water or approved cleaners. This product should not be cleaned with abrasive materials. Damage caused by any improper treatment is not covered by the product warranty. Refer to Warranty Conditions

Plumbers, please ensure a copy of the installation instruction is left with the end user for future reference.

