



Quick Start Guide

Vada Flow Boss
Wall Mount Accessory Kit
VFB-DSU-WM



THANK YOU

Thank you purchasing a Vada Flow Boss Wall Mount Accessory Kit!
Follow the steps opposite to set it up quick smart.

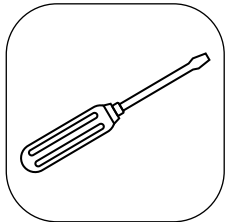
SPECIFICATIONS

COMPATIBLE VADA PRODUCTS:

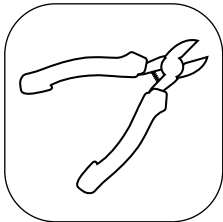


- Vada Flow Boss Digital Water Switching Unit VFB-DSU

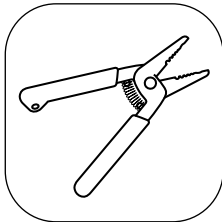
ADDITIONAL PRODUCTS REQUIRED FOR INSTALLATION:



- Screwdriver



- Wire cutters



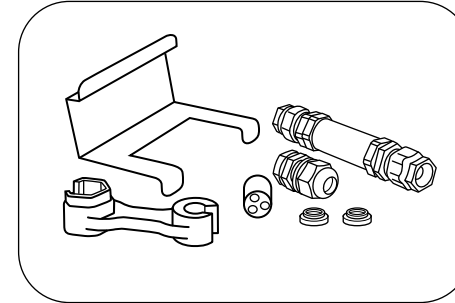
- Wire stripper

INSTALLATION

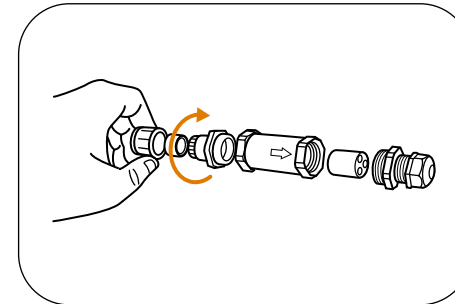


Let's get started!

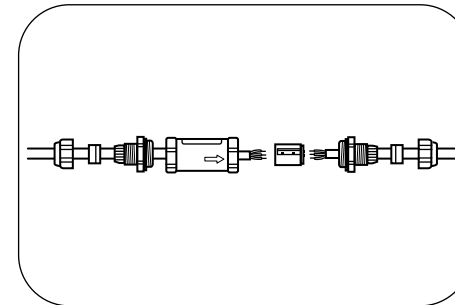
1. Remove all items from packaging.



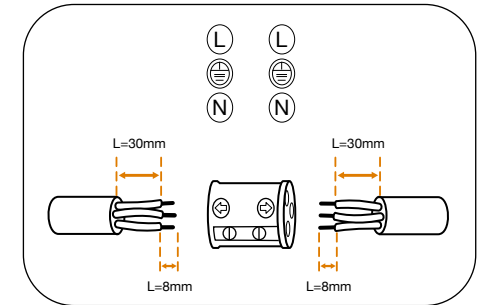
2. Open the three poli splicing mechanism by turning the ends clockwise as illustrated.



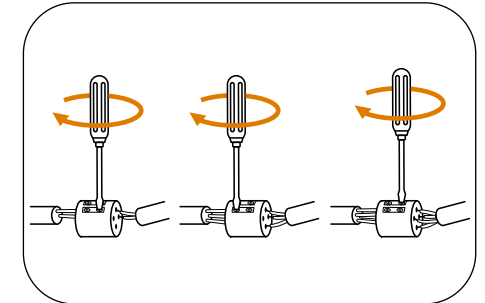
3. Feed the cable through the open mechanism.



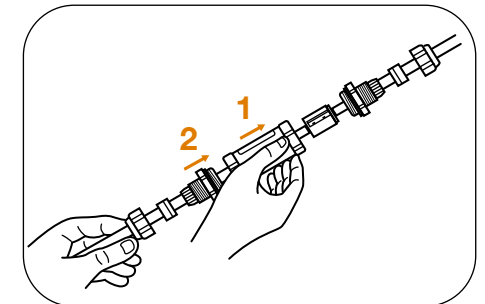
4. Connect the wiring as indicated below.



5. Lock the mechanism by tightening the screws clockwise.

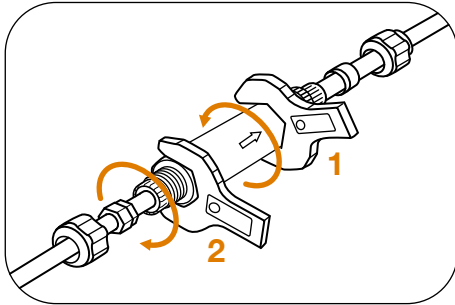


6. Slide the mechanism up.

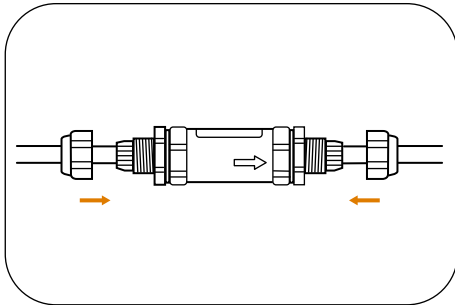


INSTALLATION

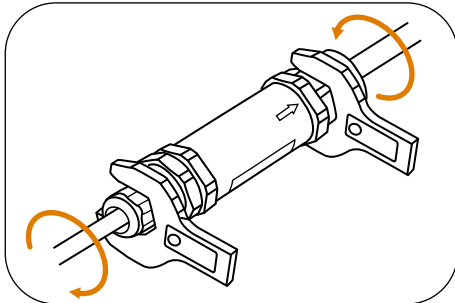
7. Tighten the central mechanism.



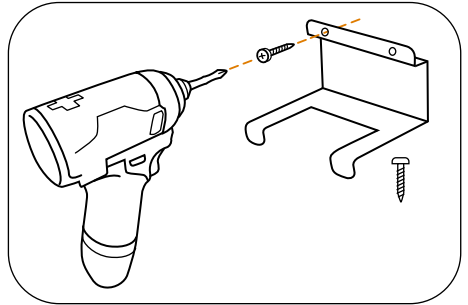
8. Screw the ends in.



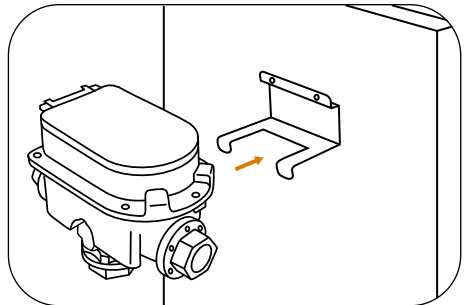
9. Tighten the screw ends.



10. Place the wall mount on a solid flat surface. Using the screws provided drill into the surface.



11. Mount the digital switch.



Congratulations, your Vada Flow Boss Digital Water Switching Unit is now securely mounted.