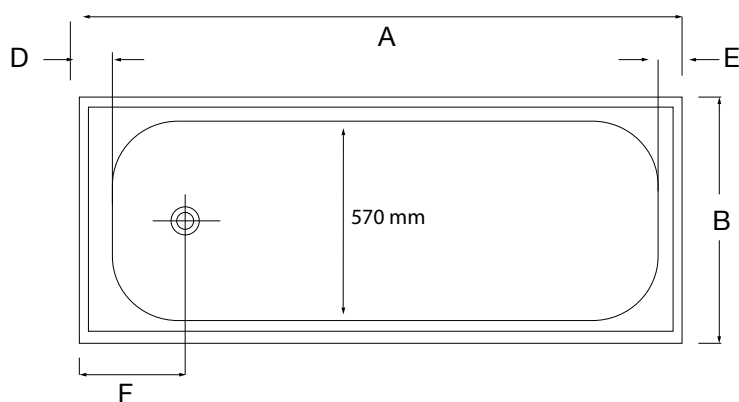


# BASE

## PRESSED STEEL BATH



a	1200	1500	1600	1700
b	700	700	700	700
c	375	390	390	390
d	70	70	70	70
e	65	65	65	65
f	290	290	290	290

Dimensions are nominal measurements only.

### SPECIFICATIONS

<b>Recommended use</b>	Domestic, Hotel, Commercial
<b>Material</b>	Pressed steel
<b>Colour</b>	White
<b>Size Options</b>	1200mm x 700mm 1500mm x 700mm 1600mm x 700mm 1700mm x 700mm
<b>Overflow</b>	No
<b>Taphole availability</b>	No taphole. Tapware should be wall or hob mounted
<b>Plug and waste</b>	Suits 40mm non-overflow style waste (not supplied)
<b>Fixing</b>	Hob mounted or checked into the wall



To see the complete BASE range go to [www.reece.com.au/bathrooms](http://www.reece.com.au/bathrooms)

### CLEANING RECOMMENDATIONS

We recommend the use of soapy water or approved cleaners.

This product should not be cleaned with abrasive materials.

Damage caused by any improper treatment is not covered by the product warranty - Refer to Warranty Conditions.

# BASE

## PRESSED STEEL BATH

### INSTALLATION INSTRUCTIONS

**NOTE:** Please check surface thoroughly before installing. Installation of the bath will be taken as acceptance of the product. Also, it is important to install the product in accordance with the installation instructions below.

1. Install waste pipe in accordance with the set out (diagram a). Check the waste pipe will align accurately with bath waste. It may be necessary to use a flexible coupling or length of unrestrained waste pipe to absorb strain on the bath due to misaligned waste setup (see diagram c).

2. This bath is not self supporting and does require a support at the base via masonry, steel or timber. It is important that the full rim of the bath rests on a support wall constructed from wood, masonry or steel. If the bath is to be checked into the wall then a batton should be securely bolted to the wall to provide support (diagram b and c).

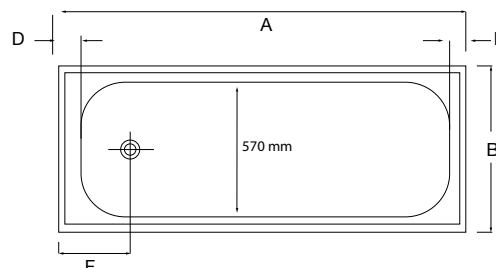
3. To accommodate for any flex in the bath, adequate clearance should be maintained between the floor and the bath.

4. Place bath in position and connect waste. Fill bath and then release, checking seals for leaks and that the bath drains successfully.

5. Apply flexible sealant to the exposed edges

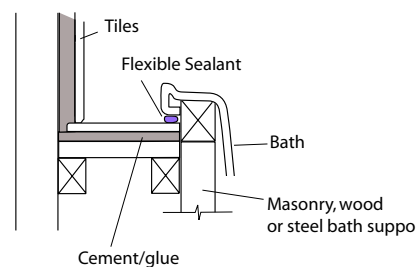
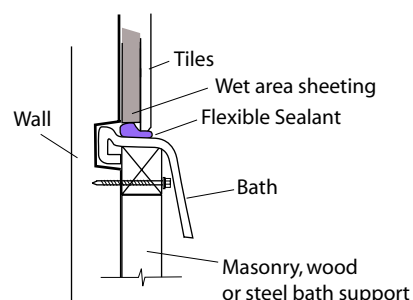
6. Enclose and tile in bath.

A)

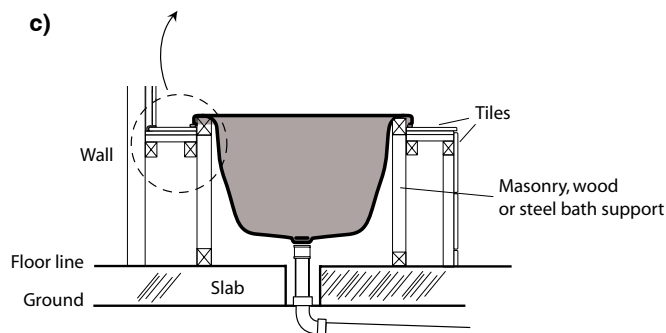


a	1200	1500	1600	1700
b	700	700	700	700
c	375	390	390	390
d	70	70	70	70
e	65	65	65	65
f	290	290	290	290

B)



c)



Plumbers, please ensure a copy of the installation instructions is left with the end user for future reference

base

reece