



BASE PRESSED STEEL INSET BATHS

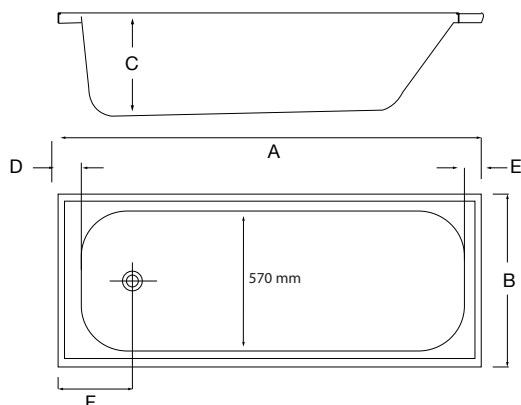
1200, 1500, 1600, 1700 X 700MM

INSTALLATION INSTRUCTIONS

Note: Please check surface thoroughly before installing. Installation of the bath will be taken as acceptance of the product. Also, it is important to install the product in accordance with the installation instructions below.

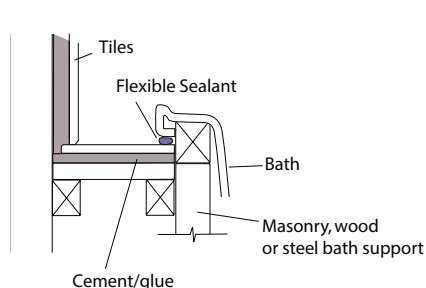
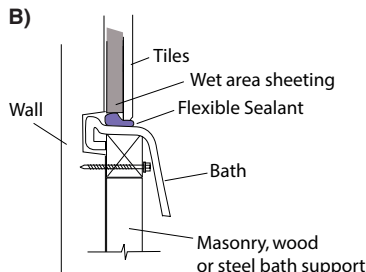
1. Install waste pipe in accordance with the set out (Diagram A). Check the waste pipe will align accurately with bath waste. It may be necessary to use a flexible coupling or length of unrestrained waste pipe to absorb strain on the bath due to misaligned waste setup (see Diagram C).
2. This bath is not self supporting and does require a support at the base via masonry, steel or timber. It is important that the full rim of the bath rests on a support wall constructed from wood, masonry or steel. If the bath is to be checked into the wall then a batton should be securely bolted to the wall to provide support (Diagram B and C).
3. Place bath in position and connect waste. Fill bath and then release, checking seals for leaks and that the bath drains successfully.
4. Apply flexible sealant to the exposed edges.
5. Enclose and tile in bath.

A)

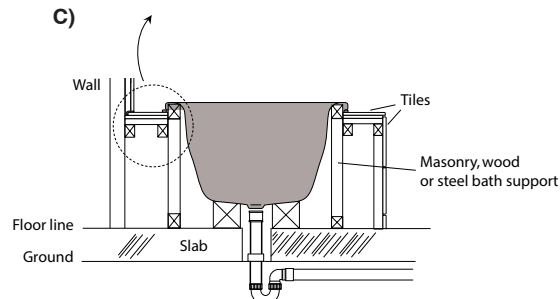


	1200	1500	1600	1700
a	1200	1500	1600	1700
b	700	700	700	700
c	375	390	390	390
d	70	70	70	70
e	65	65	65	65
f	290	290	290	290

B)



C)



Dimensions are nominal measurements only.

Plumbers, please ensure a copy of the installation instructions is left with the end user for future reference.