

Posh Canterbury Sink Mixer Large Porcelain Lever Handle (4*)

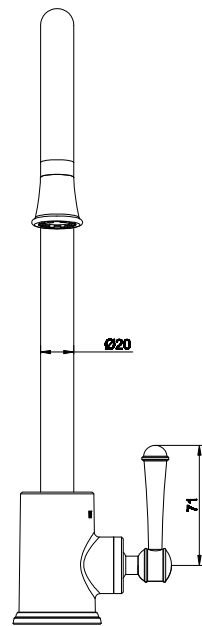
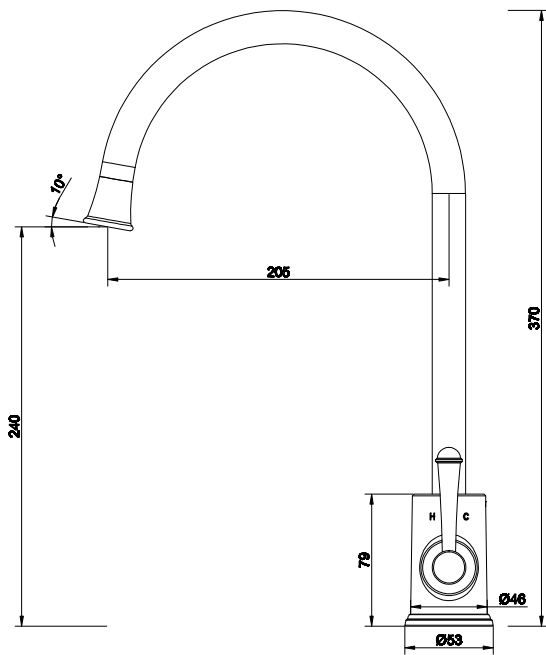
SPECIFICATIONS

Recommended Use	Domestic, Commercial, Hotel
Colour	Chrome, Brass Gold, Matte Black
Recommended Pressure Range	150kPa - 500kPa
Max Continuous Working Pressure	500kPa
Max Continuous Working Temperature	80 deg C
Suitable for Storage Tank Hot Water	Yes
Suitable for Continuous Flow Hot Water	Yes
Suitable for Gravity Feed Hot Water	No

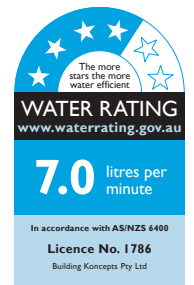
WARRANTY

Warranty - Domestic Use	10 Years
Spare Parts & Labour	12 Months

Please refer to Warranty Page for full Terms and Conditions



WaterMark
AS/NZS 3718
WMK26341



Dimensions are nominal measurements only.

Disclaimer: Products in this specification manual must by regulation be installed by licensed and registered trade people. The manufacturer/distributor reserves the right to vary specifications or delete models from their range without prior notification. Dimensions are nominal measurements only. Dimensions and set-outs listed are correct at time of publication however the manufacturer/distributor takes no responsibility for printing errors.

Published 16/09/2019

To see the complete Posh range go to
www.reece.com.au/bathrooms

