



WOLFEN™

INSTALLATION MANUAL

2264795 Wolfen Pre Rinse Sink Mixer Tap with Pot
Filler Stainless Steel (6 Star)

2264796 Wolfen Pre Rinse Sink Mixer Tap with Pot
Filler Stainless Steel - Compact (6 Star)





WOLFEN™

CONTENTS

Intro	03
Technical Information	04
Unit Components	08
Installation Instructions	10
Warranty	16

Delivering unrivalled quality

Designed for absolute performance, Wolfen's commercial mixer products set new standards in quality and durability. Ergonomic design combined with precision engineering ensures that every Wolfen product is easy-to-use and made to last. Here are just some of the many innovative features that make Wolfen mixers the smart solution.

Scope of Use : Wolfen Stainless Steel Pre Rinse

- Installation is subject to the regulatory requirements of the plumbing code of Australia associated to AS/NZS 3500.4 (Taps)
- Inlet pressure: Maximum 500 kpa
- Manufacturers recommended pressure: 350 kpa
- Installation: Refer to further information in the manual
- Suitable for indoor use only
- Temperature recommendation:
 - Maximum operating temperature 80°C
 - Minimum operating temperature 5°C
- Material: Stainless Steel (304)
- Mounting: Bench or in line installation

Features

- High efficiency cleaning with Blade Spray technology
- Effective ergonomic design for ease of use
- WELS 6 Star rated pre-rinse trigger spray
- Adjustable wall bracket design
- Integral backflow prevention
- Hygienic easy clean design



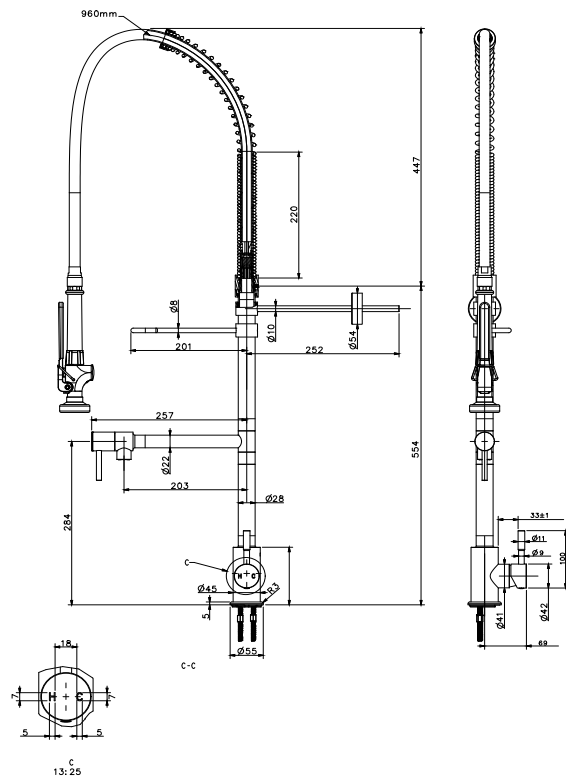
Model	Pre Rinse Sink Mixer	Compact Pre Rinse Sink Mixer
Product Code	2264795	2264796
Product Type	Pre-Rinse unit	Pre-Rinse unit
Finish	Stainless Satin Finish	Stainless Satin Finish
Material	Stainless Steel (304)	Stainless Steel (304)
Inlet	15mm	15mm
Outlet	Blade Spray (Aerator Spray available)	Blade Spray (Aerator Spray available)
Working Pressure	150kPa - 500kPa	150kPa - 500kPa
Recommended Static Working Pressure	350kPa	350kPa
Min Continuous Working Temperature	5°C	5°C
Max Continuous Working Temperature	80°C	80°C
Height	1001mm	734mm
WELS Star Rating	6 star	6 star
Litres Per Minute	Trigger spray: 4 LPM Pot filler: 5.5 LPM	Trigger spray: 4 LPM Pot filler: 5.5 LPM

TECHNICAL INFORMATION

**Stainless Steel Hob Mounted Pre Rinse Unit
with Pot Filler**
2264795



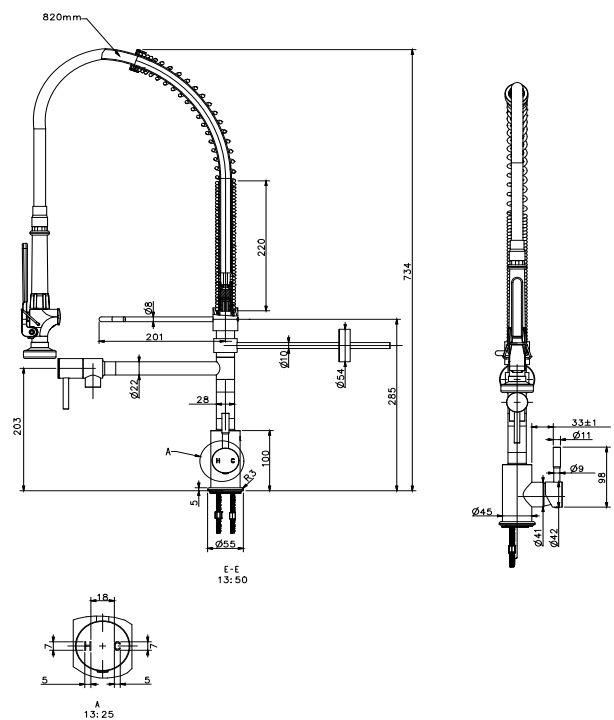
**Stainless Steel Hob Mounted Pre Rinse Unit
with Pot Filler**
2264795



**Stainless Steel Compact Hob Mounted
Pre Rinse Unit with Pot Filler**
2264796



**Stainless Steel Compact Hob Mounted
Pre Rinse Unit with Pot Filler**
2264796



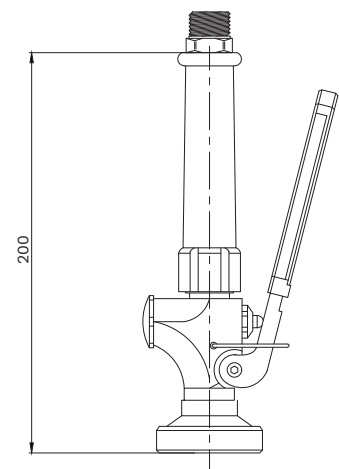
PRE RINSE TRIGGER SPRAY SS

2266397



PRE RINSE TRIGGER SPRAY SS

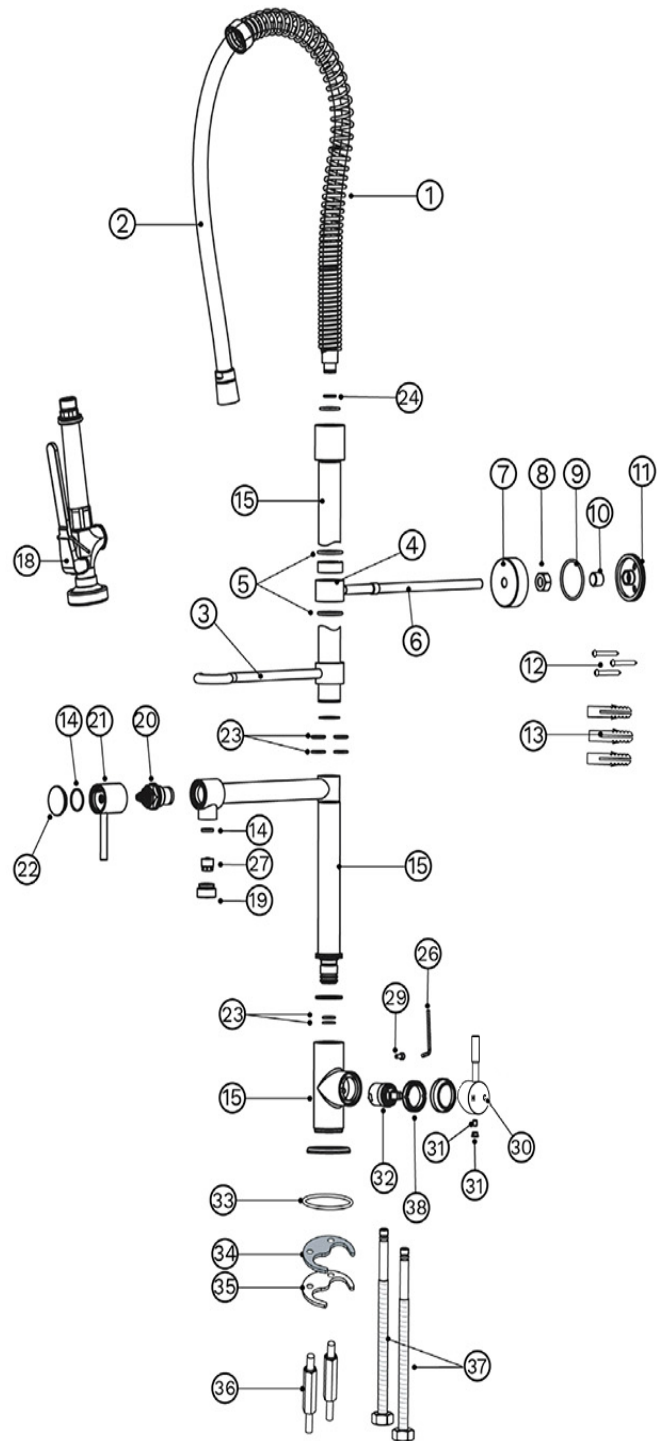
2266397



UNIT COMPONENTS

No.	Code	Description	Qty
01	GPJ0060	Spring	1
02	GPJ0070	Hose	1
03	GPJ0061	Bracket for spray gun	1
	GPJ0062	Bracket to Wall	
04		Support Bracket	
05		"O" Ring	
06		Wall support bar	1
	GPJ0063	Fixing kit for wall bracket	
07		Bracket cover	1
08		Lock Nut	1
09		"O" Ring	1
10		Brass Olive	1
11		Fixing Plate	2
12		Self Tapping screw	3
13		Wall Plug	3
	GPJ0082	Riser	
15	GPJ0082	Body	1
	GPJ9006	Pot Filler Housing and Aerator Kit	
14		"O" Ring Kit Pot filler	1
19		Aerator Housing	1
27		Aerator	1
20	GPJ0064	C/ Disk Cartridge	1
	GPJ0065	Handle Kit	
21		Body	1
22		Cap	1
23	GPJ0068	"O" Ring Kit for Pot Filler	1
24	GPJ9005	Fibre Washer	1

No.	Code	Description	Qty
	GPJ0052	"O" Ring Service Kit for Trigger Spray Gun	
	GPJ0074	Fixing Screw and Cap suit Mixer	
26		Allen key	1
28		Grub Screw	1
29		Hot/Cold and Warm indicators	3
30		Handle	1
31		Handle Plug	1
32	GPJ9001	Cartridge for Hot and Cold	1
	GPJ0066	"O" Ring, Fixing Plate, Washer, Nut & Stud	
33		"O" Ring	1
34		Fixing Washer	1
35		Fixing Plate	1
36		Fixing Nut	2
37	GPJ9002	1 Hot / 1 Cold Flexible Braided Hose 400mm	1
18	GPJ0050W	Trigger Spray Gun	
	GPJ1500	Handles	



INSTALLATION INSTRUCTIONS

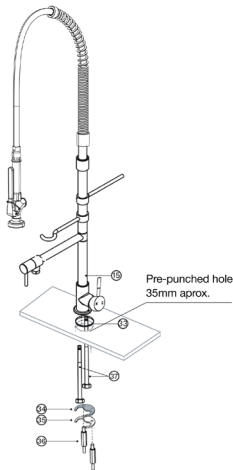
MIXER BODY INSTALLATION FOR ALL UNITS

Important Note

The mixer must be installed in accordance with the requirements of the NCC Vol3 and AS/NZS3500 by a suitably qualified licensed plumber. This product comes factory assembled and tested for optimum service life and performance. Water supply lines must be thoroughly flushed before connecting the

assembly. Isolating stop cocks should be installed at the heated and cold water connection points for ease of servicing.

1. Place the base "O"-ring (33) on the underside of the mixer body (15).
2. Screw in the hot and cold flexible connectors (37) to the mixer body (15).
3. Place the mixer unit over the prepunched tap hole (35mm) in the counter top. Feed the flexible connectors (37) through first.



Note: The unit must be installed with the main mixer handle to the right side

4. From underneath the counter top, slide on the U-shaped washer then the U-shaped fixing plate. (34 & 35)
5. Screw on the hex nuts (36) until the mixer base is firmly fixed to the sink. Tighten with a socket set or tube spanner.
6. Connect the hot and cold flexible connectors to the inlet isolation valves.

IMPORTANT INFORMATION FOR ALL UNITS

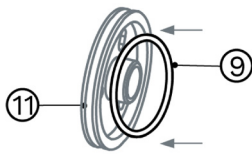
- See the detailed wall support installation on page 11.
- See the detailed spring and trigger spray installation on page 16
- Misuse of the product is not covered by warranty.
- Water pressure exceeding 450kPa may affect the operational life of the product.

Note: For optimum operational life, water supply pressure should not exceed 450kPa.

WALL BRACKET INSTALLATION

The Wall Bracket Installation is an essential part for the correct operation and use of the Stainless Steel Pre Rinse Unit.

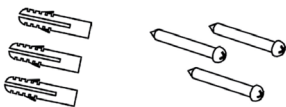
1. Measure and cut the wall support bar (6) to a length with a 2 to 5mm gap from the wall.
2. Fit the "O"-ring (9) to the groove on the fixing wall plate.(11)



3. Slide on the chrome cover flange (7), nut (8), brass olive (10) & wall fixing plate (11) onto the wall support bar (6).
4. Swing the wall support bar into position and mark the three holes for drilling into the wall.
5. Swing the wall support bar to the left or right to enable the three holes to be drilled.
6. Swing the wall support bracket back into position, line up the holes and screw the fixing plate back to the wall. Tighten the brass nut and olive, ensuring a firm and solid installation. Slide the chrome cover plate over the wall plate.

Note: For a stainless steel splashback and/ or cool room panel wall, ensure the fixing method used results in a solid fixing.

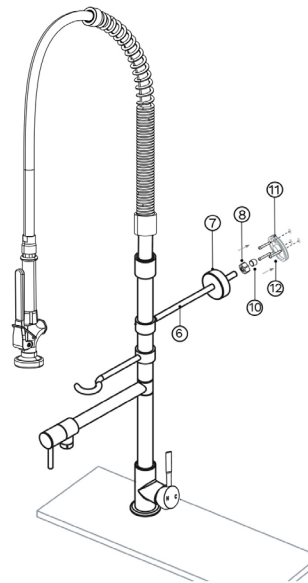
- * For a masonry wall use the wall anchors provided (13) with screws (12).



IMPORTANT INFORMATION

- The wall support bar (6) can slide up or down to the desired height by slowly twisting it back and forth while moving it in the desired position.
- The wall support bar (6) should be installed as high as possible. This wall support bar should be cut to fit the desired distance to the wall.
- The side bracket should also be cut down to the desired length if it's too long.

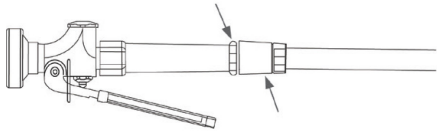
- * For a timber backed wall use the screws provided (12).



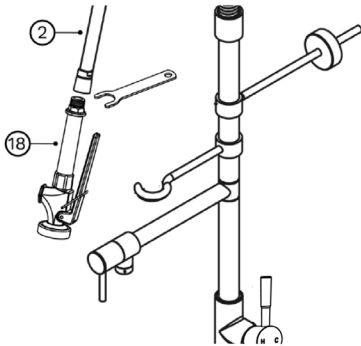
Note: Service inspections at regular intervals especially in high usage areas will assist in optimising the operational life of the product.

INSTALLATION INSTRUCTIONS

TRIGGER SPRAY INSTALLATION AND REPLACEMENT FOR ALL UNITS



Turn on the Water and test the unit.



Trigger Spray Fixing Methods

Using Teflon Tape

- Apply adequate Teflon tape to the male thread of the trigger spray.
- Screw hose connection on to trigger spray then tighten firmly against "O" Ring Supplied on trigger.

Using Loxeal

- Insert the white teflon washer into the hose adaptor.
- Apply Loxeal to the male thread of the trigger spray.
- Screw hose connection on to trigger spray then tighten firmly against oring. Test to ensure there are no leaks.

Note: For optimum operational life, water supply pressure should not exceed 450kPa.

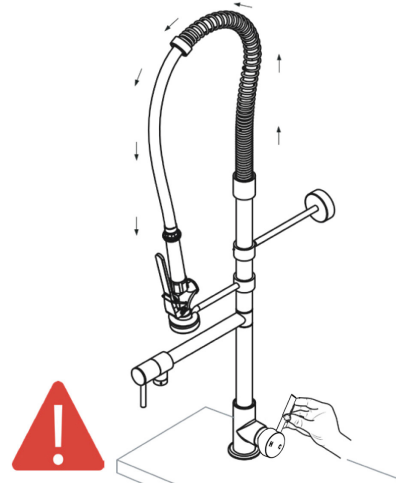
MAINTENANCE

FOR OPTIMUM PERFORMANCE AND DURABILITY

Service inspections at regular intervals especially in high usage areas will assist in optimising the operational life of the product.

Ensure the Blade Spray nozzle outlet is inspected and cleaned at regular intervals to maintain the units water spray efficiency and effectiveness.

When not in use, the mixer cartridge must be completely closed so as not to leave the pot filler, trigger spray and hose under constant hydrostatic pressure.

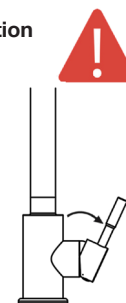


Best practices to keep your unit as new

- The mixer must be installed in accordance with the requirements of the NCC Vol3 and AS/NZS3500 and maintenance undertaken by a suitably qualified licensed plumber.
- When not in use, the mixer cartridge must be completely closed so as not to leave the pot filler, trigger spray and hose under constant hydrostatic pressure.
- Do not kink the flexible trigger spray hose during use as this may result in premature failure and void warranty.
- For optimum operational life, the installation of a PRV set to 450kPa is recommended
- Ensure that the wall bracket is periodically inspected to ensure that it remains firmly attached to the wall.
- Ensure the “instruction sticker” supplied with the unit is installed and placed in a suitable position so that it is visible to the user.

Manufacturers recommendation

Turn Mixer off when not in use to avoid pressure build-up at pot filler and trigger spray



Note: Service inspections at regular intervals especially in high usage areas will assist in optimising the operational life of the product.

FAQs

1. Can I take the tap out and fix it myself? "I've tried fixing it myself but it's still leaking" "I brought the broken unit in, can I get a new one under warranty?"

Installation and reparation must be carried out by certified plumbers. The unit must be intact for inspection by a Gentec Australia approved plumber during service call for warranty to be valid. Taking the unit off or modifying the unit without Gentec Australia's approval will void warranty.

2. Are there different riser heights available?

Yes, the GPure pre-rinse units come in a 1001 mm option (2264795) or 734 mm (2264796).

3. Is there a different spray option for the trigger spray?

Yes, the standard spray on the trigger spray is a stainless-steel spray blade for more efficient cleaning. An aerator nozzle is also available for purchase using the code GPJ0078.

4. Can I use a different trigger spray or hose with this unit?

Warranty would be voided if any component is replaced by a different one. The trigger spray is supplied with an adaptor when sold individually. The hose and riser have a special thread designed to only work together.

5. The hose looks damaged

The hose supplied is made of a food grade material which is softer and easier to use than most pre-rinse units in the market. Using excessive force on the hose or bending it at a right angle as you would with other brands is considered misuse and causes unnecessary strain to the hose.

6. The hose has broken above the connection to the trigger spray

This occurs when the hose is bent back and forth at a 90° angle and/or if the mixer at the base of the product has been left on when not in use. Also check that the water pressure is not above 500kPa as that will also void warranty

7. The hose is leaking between the hose and trigger spray or between the trigger spray's spray head

Check that the product is tightened firmly. A leak is only possible if the connections are still loose. Loose connections are an installation issue and not covered by warranty.

8. The wall bracket doesn't fit our kitchen, can we remove it or modify it?

The wall bracket is designed to support the riser so removing it or extending it will put extra pressure on the riser and lead to leaks from the riser and/or bottom mixer. For more details on the Wall Bracket, see Pag. 15

9. Pot Filler cartridge is jammed and no water is coming through

Constant high pressure can damage and jam the cartridge in the pot filler. Pot Filler and Trigger Spray must be turned off when not in use. A damaged cartridge needs to be replaced (GPJ0064) and ensure that a pressure limiting valve is installed to reduce the pressure to under 450kPa.

10. Water is leaking from the hex nut on the trigger spray handle when in use

This could be a result of damage during use or from the constant flow of high pressure water, which can wear out the O-ring in the trigger handle. Replacing the water seals and tightening the hex nut should fix the issue, Trigger handle service kits (GPJ0052) can be purchased from Gentec Australia.

11. Water is leaking from mixer cartridge

To work correctly, the cartridge in the mixer body should be flushed clean prior to installation. Check for debris in the cartridge which can prevent it from closing completely. Install strainers to prevent debris from getting into the unit.

12. The wall bracket doesn't fit our kitchen, can we remove it or modify it?

The wall bracket is designed to support the riser so removing it or extending it will put extra pressure on the riser and lead to leaks from the riser and/or bottom mixer. For more details on the Wall Bracket, see Pag. 15

13. Leaking from the hose connection to the riser

If leak is present straight after installation, ensure the plumber has tightened the connection correctly. Loose connections are an installation issue and not covered by warranty.

A constant flow of high pressure water can wear out water seals between the hose and the riser. Excessive force on the trigger spray can also cause damage to the connection between the hose and riser.

14. The handle on the trigger spray does not release after being turned on

Residual worn out washers inside the handle can prevent the control lever from releasing. Washers are easily damaged under constant high water pressure. A trigger spray service kit (GPJ0052) can be purchased from Gentec Australia. Install an isolation valve or pressure limiting valve to prolong the product's service life.

REECE PRODUCT QUALITY GUARANTEE



You have purchased a quality product from Reece Australia Pty Ltd ABN 84 004 097 090 ("Reece"). This product is covered by a 5 year replacement product warranty and a 12 month warranty over spare parts and labour.

5 YEAR WARRANTY

This warranty covers faults in the product construction, material and assembly. Products which are within 5 years from the date of purchase, found upon inspection by an authorised Reece representative, to be defective in construction, material or assembly, will be repaired or exchanged with an equivalent product free of charge. Replaced items become Reece's property.

All replacement products will be available for collection without charge to the customer at the nearest Reece branch to the customer's location, or elsewhere as agreed between the customer and Reece.

Labour and Spare Parts

The labour for the replacement of products and spare parts to which this warranty applies will be supplied by Reece or relevant supplier using licensed plumbers engaged by Reece or relevant supplier within 1 year from the date of purchase. Spare parts other than those listed in the Manufacturer's Provisions above, which are within 1 year from the date of purchase found upon inspection by an authorised Reece representative to be defective in construction, material or assembly, will be replaced free of charge.

Warranty Conditions

This warranty will apply only under all of the following conditions:

- The item has been installed by a licensed plumber
- Failure is due to a fault in the manufacture of the product
- Proof of purchase (including the date of purchase) is provided
- The installation of the product is in accordance with the instructions provided

This warranty does not cover products purchased as an ex-display without being fully checked and tested for sale by the manufacturer.

This warranty does not include faults caused by:

- Unsuitable or improper use
- Incorrect installation or installation not in accordance with the instructions provided
- Installation or part installation by the purchaser or any person other than a LICENSED PLUMBER
- Normal wear and tear
- Inadequate or complete lack of maintenance
- Chemical, electrochemical or electrical influences
- Harsh detergents or abrasive cleaners used on product finishes

EXCLUSIONS

To the fullest extent permitted by law, Reece excludes all liability for damage or injury to any person, damage to any property, and any indirect consequential or other loss or damage.

CLAIM PROCEDURE

For all warranty queries customers are to contact the branch where the product was purchased. These details can be found on your purchase invoice.

Our goods come with guarantees that cannot be excluded under the Australian Consumer Law. You are entitled to a replacement or refund for a major failure and for compensation for any other reasonably foreseeable loss or damage. You are also entitled to have the goods repaired or replaced if the goods fail to be of acceptable quality and the failure does not amount to a major failure.

Don't risk it, use a licensed plumber.™

IF AFTER CHECKING THE
INSTALLATION INSTRUCTIONS
AND IMPORTANT
INFORMATION, THE PROBLEM
HAS NOT BEEN IDENTIFIED,
PLEASE CONTACT GENTEC
CUSTOMER SUPPORT ON:

+61 2 9211 4422 or
info@gentecaustralia.com.au



WOLFEN™

reece.com.au/wolfen