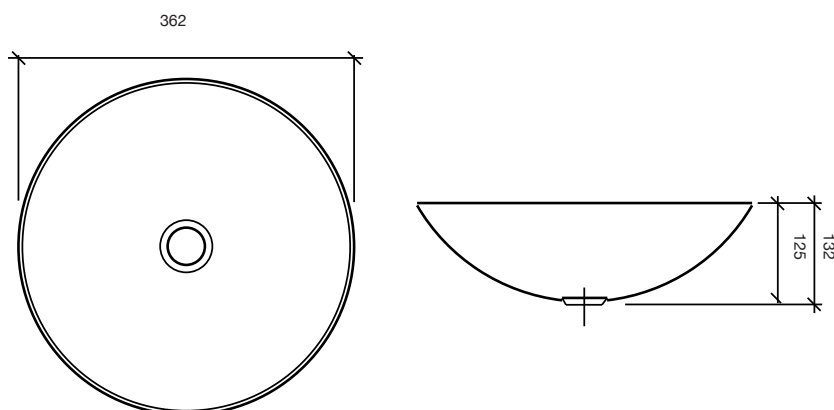


ALAPE

CIRCA 360 VESSEL BASIN

362mm



FEATURES

Recommended use	Domestic, hotel and commercial
Material	Steel Enamelling
Fixing	Bench mounted

SPECIFICATIONS

Fixing requirement	Bench mounted (fixed by waste)
Overflow	No
Tap hole availability	No tap hole. Tapware to be bench or wall mounted.
Plug and waste	Suitable with 32mm x 40mm non-overflow style waste.
Colour availability	White, Gloss Black, Matt Black
Capacity	6.5 L



To see the complete Alape range go to www.reece.com.au/bathrooms

CLEANING RECOMMENDATIONS

Any bathroom product should not be cleaned with abrasive materials eg. steel wool/scourers. Do not use any corrosive or abrasive cleaning agents containing acids or scouring agents. Bleaches can also discolour products and therefore should not be used. Damage caused by any improper treatment is not covered by the product warranty - refer to Warranty Conditions.

Disclaimer: Products in this specification manual must by regulation be installed by licensed and registered trade people. The manufacturer/distributor reserves the right to vary specifications or delete models from their range without prior notification. Dimensions and set-outs listed are correct at time of publication however the manufacturer/distributor takes no responsibility for printing errors.

ALAPE

CIRCA 360 VESSEL BASIN

INSTALLATION INSTRUCTIONS

1. In a suitable position on the counter top, drill a hole with a diameter of 45 mm.

NB: - if wall mounted tapware is to be used, consideration should be made to length of outlet and positioning of basin on bench top.

- if tapware is to be bench mounted allow suitable bench top width for fitting tapware.

2. Place base ring (1), seal (2) and dish basin (3) on the counter top.

3. Guide waste (4) and sealing ring (5) through the basin and the drilled hole from above.

4. Screw union nut (6) and seal (7) from below onto the shaft valve.

5. Align dish basin and fix in place.

