


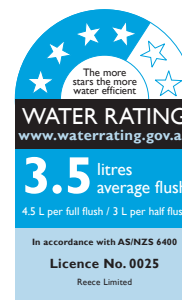
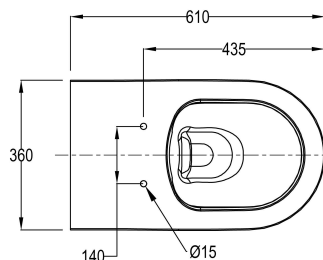
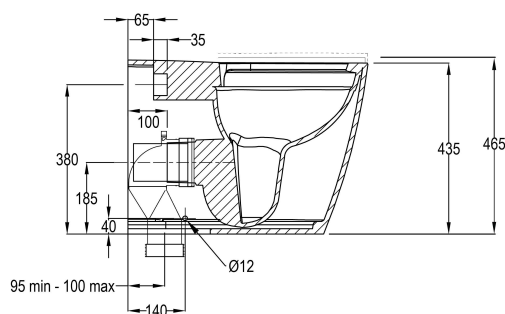




WOLFEN™

Wolfen Ambulant Back To Wall Rimless Pan with Double Flap Seat (4*)

Model	Wolfen Ambulant Back To Wall Rimless Pan with Double Flap Seat White (4*)	Wolfen Ambulant Back To Wall Rimless Pan with Double Flap Seat Blue (4*)	Wolfen Ambulant Back To Wall Rimless Pan with Double Flap Seat Grey (4*)
			
Product Code	1811727	1811729	1811731
Material	Pan - Vitreous China Seat - Urea with Stainless Steel Hinges	Pan - Vitreous China Seat - Urea with Stainless Steel Hinges	Pan - Vitreous China Seat - Urea with Stainless Steel Hinges
Product Features	Meets AS1428.1 Design for access and mobility requirements	Meets AS1428.1 Design for access and mobility requirements	Meets AS1428.1 Design for access and mobility requirements
Colour	Pan - White Seat - White	Pan - White Seat - Blue	Pan - White Seat - Grey
Weight	Pan 16kg Seat 2.8kg	Pan 16kg Seat 2.8kg	Pan 16kg Seat 2.8kg
Toilet Seat	Double Flap Seat	Double Flap Seat	Double Flap Seat
Rim Configuration	Rimless	Rimless	Rimless
Outlet Type	Universal S & P	Universal S & P	Universal S & P
S Trap Setout (mm)	95mm min - 180mm max	95mm min - 180mm max	95mm min - 180mm max
P Trap Setout (mm)	180mm	180mm	180mm
Pan Fixing	Screwed to floor using brackets supplied and bedded with sealant	Screwed to floor using brackets supplied and bedded with sealant	Screwed to floor using brackets supplied and bedded with sealant



Dimensions are nominal measurements only.

Disclaimer: Products in this specification manual must by regulation be installed by licensed and registered trade people. The manufacturer/distributor reserves the right to vary specifications or delete models from their range without prior notification. Dimensions are nominal measurements only. Dimensions and set-outs listed are correct at time of publication however the manufacturer/distributor takes no responsibility for printing errors.

Published 09/11/2021