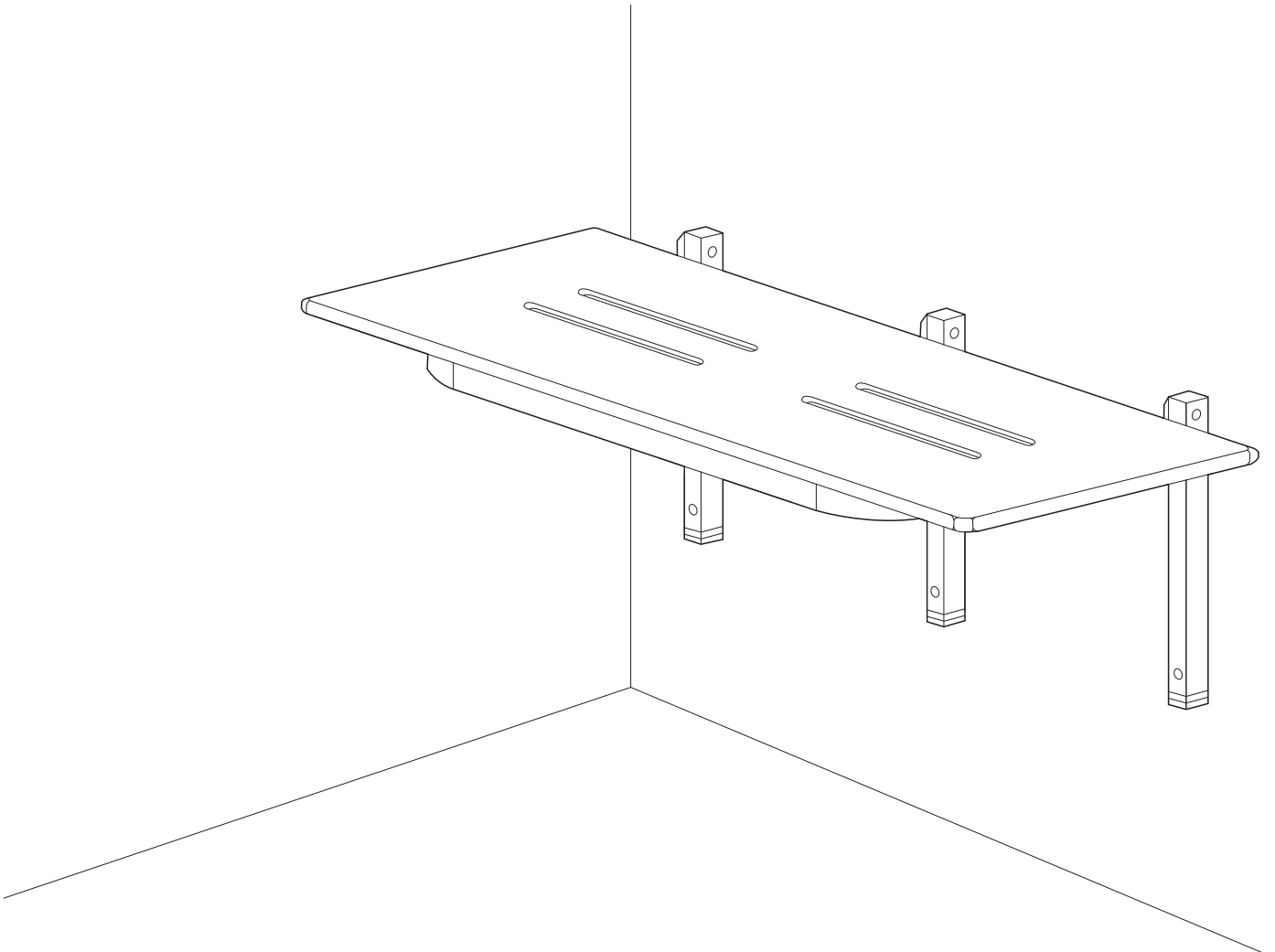


mizu

Drift Shower Seats



Installation Instructions

Important

This product must be fitted to a solid wall or suitably reinforced wall framing structure in order to meet 1100N force requirement of AS 1428.1.

Important

Fixings provided are for use with solid walls only. It is the installers responsibility to ensure correct fixings are used with any other wall type.

Important

Clean with mild detergent or clear liquid cleansers. Wipe dry with a clean soft cloth.

Important

Do not use steel wool or any abrasive cleansers.

Important

Avoid prolonged exposure to any chemical solution containing chlorides or acids. Surface damage caused by acids will void warranty.

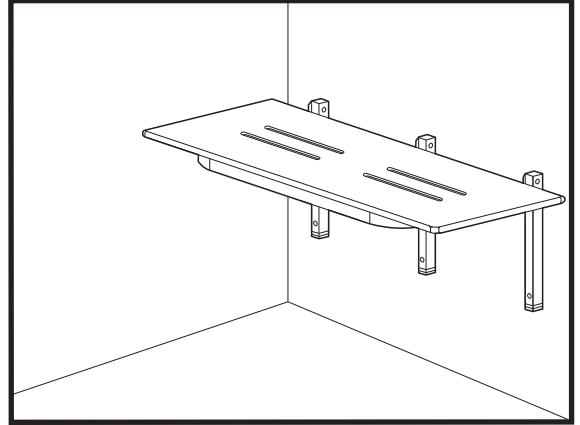
mizu

Drift Shower Seats

Installation

Accessible

Install as per AS 1428.1 Design for Access and Mobility. When in the horizontal position, ensure seat does not present a hazard and the grab rail is accessible.

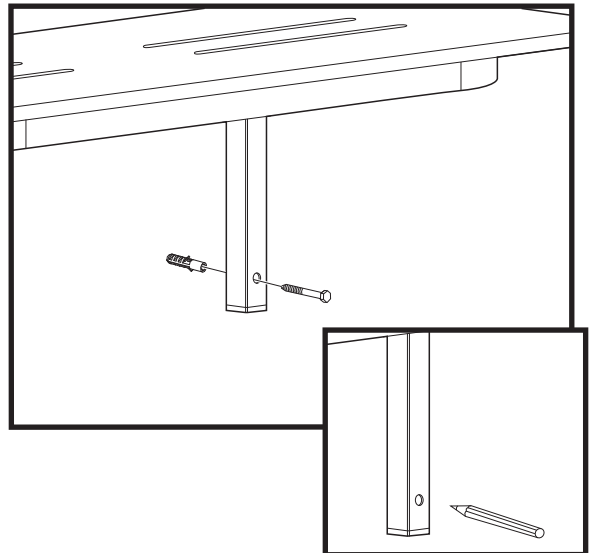


Positioning

In the horizontal position, level check and spot mark wall through seat frame mount holes.

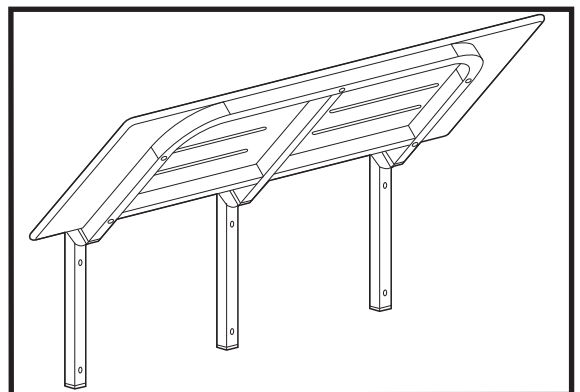
Fixing:

Drill spot marks with 10mm bit. Plug and screw seat to wall using the 304 Stainless Steel M8 x 75mm hexagon coach screws supplied.



Checking:

Check seat is firmly secured to wall and the Tension Grip Hinge screws are appropriate for ease of movement.



Care Details

We recommend the use of soapy water or approved cleaners. This product should not be cleaned with abrasive materials. Damage caused by any improper treatment is not covered by the product warranty. Refer to Warranty Conditions

Plumbers, please ensure a copy of the installation instruction is left with the end user for future reference.

