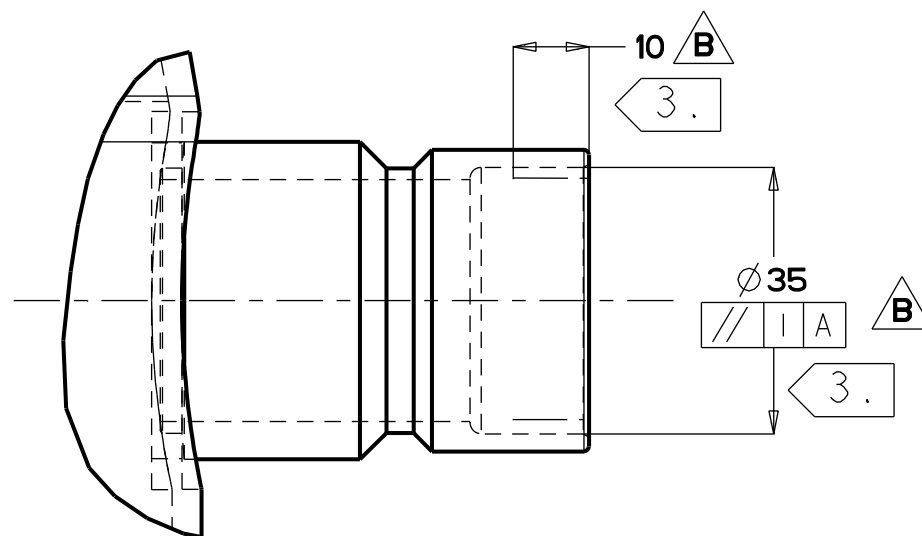
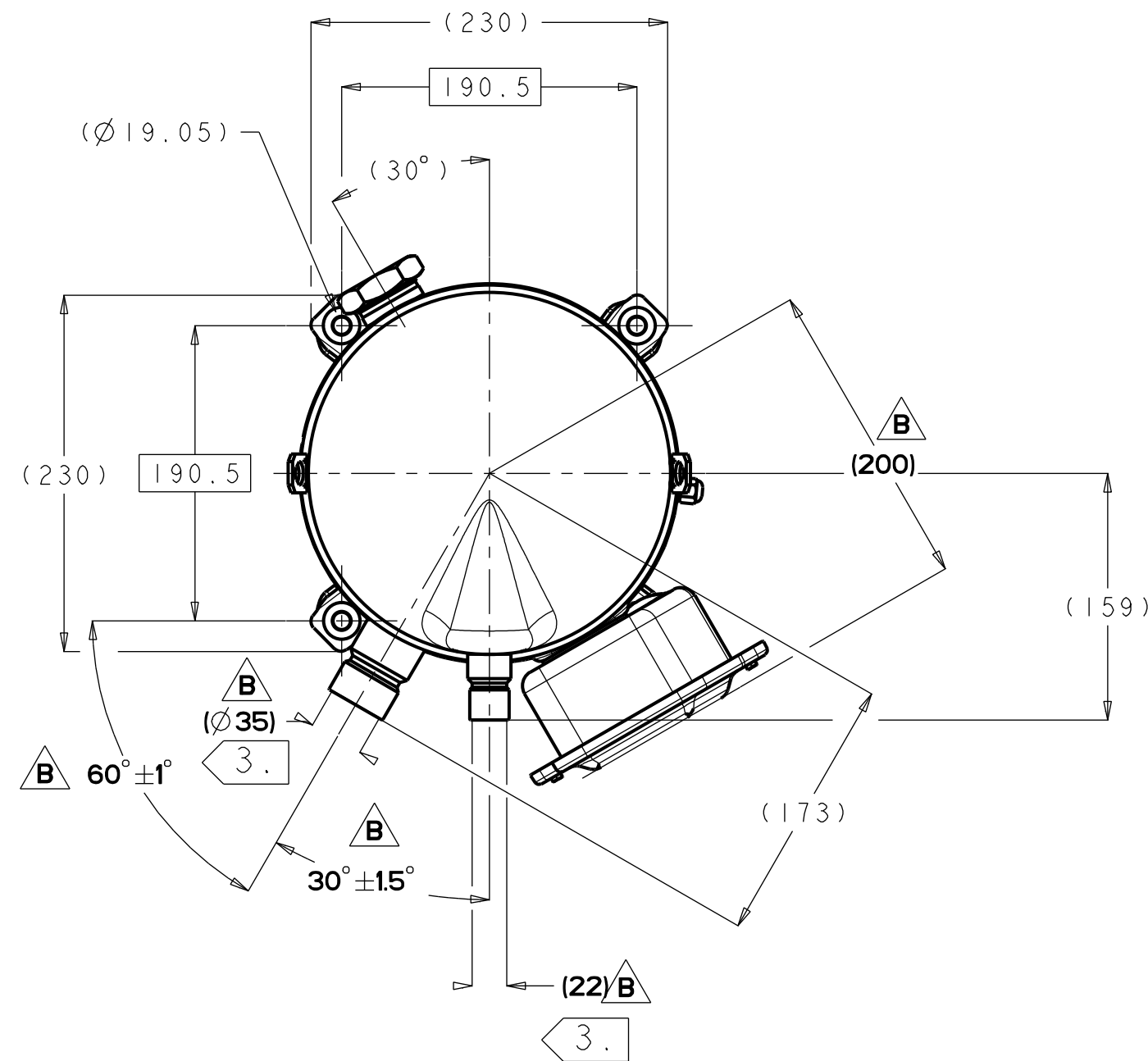


REFOULEMENT /Discharge SCALE 1/1



ASPIRATION /Suction SCALE 1/1



B NOTES:

- 1 - COMPRESSION APPROXIMATIVE DES SILENT-BLOCS : 2mm.
/Estimated grommets compression
- 2 - DIMENSIONS ET TOLERANCES SANS COMPRESSION DES SILENT-BLOCS.
/Vertical dimensions and tolerances and without grommets compression.
- 3 - LE PARALLELISME S'APPLIQUE SUR 10 mm SUR LE DIAMETRE INTERIEUR
/Parallelism applied on 10 mm on inside diameter

REFERENCE PIECE / Part number
8560023 B.11

			Projection	Scale 1/4	Material -
B	DM1080468	28/01/09			Tol Gen -
A	DC1070434/1080006	06/02/08			A2
Mrk.	Approval/Rev	Date	 Danfoss Commercial Compressors	Designation	
Replace				SH184 Outline	
Design	ALS				
Approval	GED				
Confidential: Property of Danfoss Commercial Compressors. Not to be handed over to copied or used by third party. Two or three dimensional reproduction of contents to be authorized by Danfoss CC.					No. 8560023
					Production print