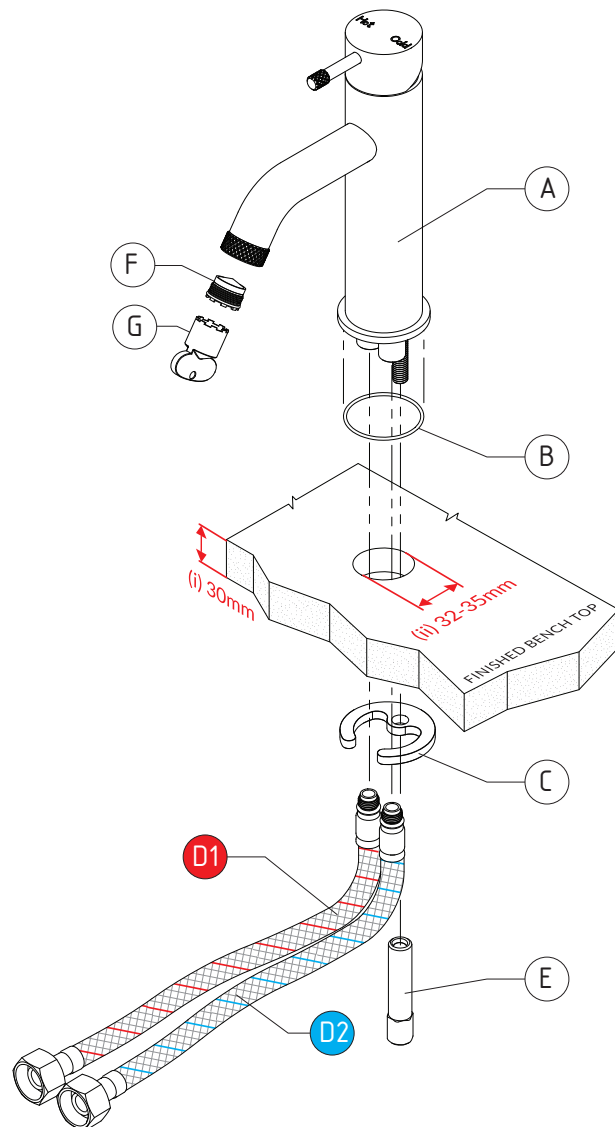


# Scala Nova Basin Mixer

# SUSSEX



## Product code

SNBM.01

## Install Preparation:

- Maximum Mounting Surface thickness is 30mm. (i)
- Mixer: 32mm - 35mm Clearance Hole. (ii)
- Mounting Surface must be flat and level.
- Prior to installing remove:
  - (C) Clamp
  - (E) Fixing Nut

## Product parts:

- (A) Basin Mixer
- (B) O-Ring
- (C) Clamp
- (D) Flexible hoses with 1/2" BSP Fittings with Conical Seals (D1 = HOT and D2 = COLD)
- (E) Fixing Nut
- (F) Aerator
- (G) Aerator Key

## Plumbers note:

- Tapware is to be installed by a Licensed Plumber in accordance with AS/NZS 3500:2021
- Recommended working water pressure 300 - 500 Kpa. Maximum water temperature is 65°C
- After installation, ensure that tapware functions correctly without leaks.
- Please ensure a copy of the Installation Instructions are left with the end user for future reference.

reece

www.reece.com.au

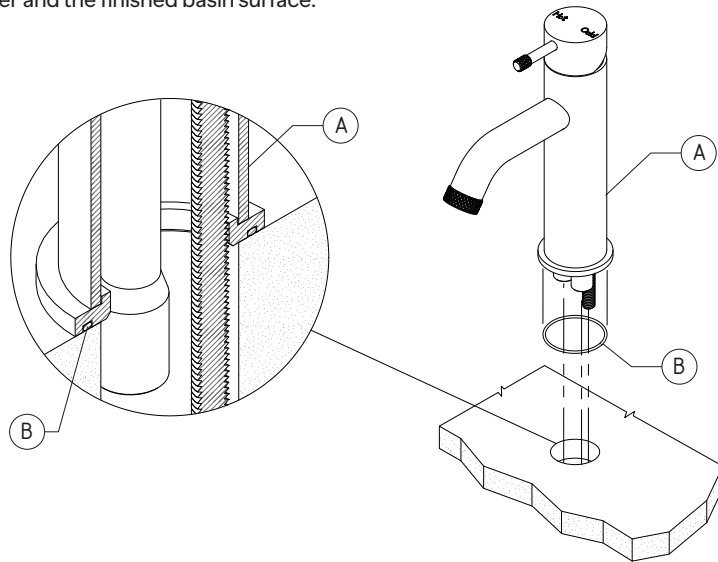
**W**  
Lead Free  
AS 3718  
LIC. 20081

While we aim to ensure the specifications shown are correct at time of printing, Sussex Taps reserves the right to make modifications without prior notice. Always use the physical product for accurate measurements. Dimensions are subject to change without notice. All measurements are shown in millimetres. This product complies with lead free requirements.

Copyright © Sussex Taps

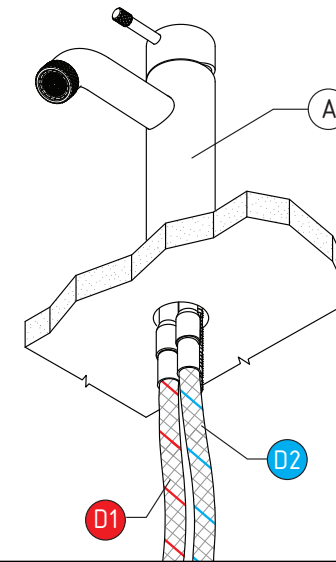
### Step 1

Fit Basin Mixer Assembly (A) into clearance hole compressing the O-ring (B) between the Basin Mixer and the finished basin surface.



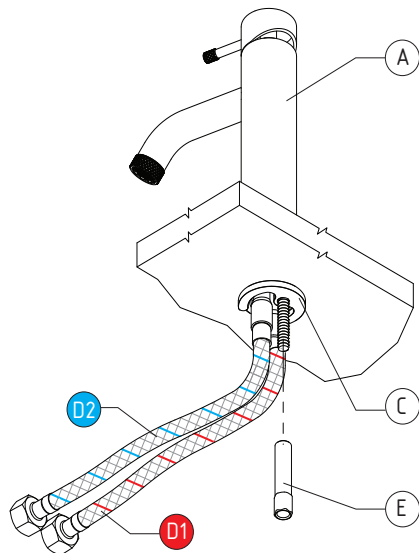
### Step 2

Fit the Hot (D1) and Cold (D2) flexible hoses under the basin and affix to Basin Mixer Assembly (A). Tighten by hand. Use a spanner on crimped section to tighten off.



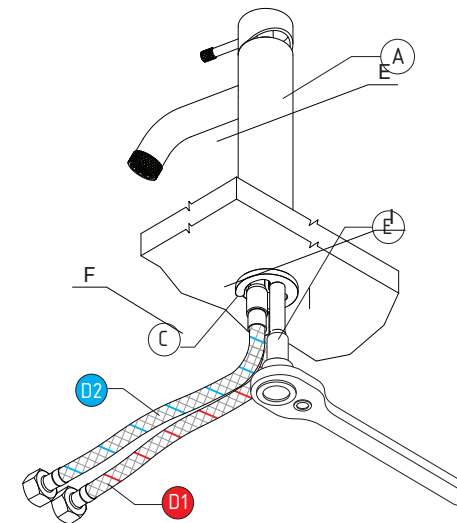
### Step 3

Fit the Clamp (C) into position under the bench. This component will slide over the threaded rod and the flexible Hoses (D1 and D2).



### Step 4

Thread the Fixing nut onto the rod by hand and tighten with a socket wrench or an appropriate tube spanner.



### Step 5

Connect the Hot (D1) and Cold (D2) flexible hoses to 1/2" BSP pipework and tighten firmly with a spanner. Ensure hoses do not twist or kink during tightening. Sussex recommends using Stop Cocks/Mini Stops, however, these are not supplied.

