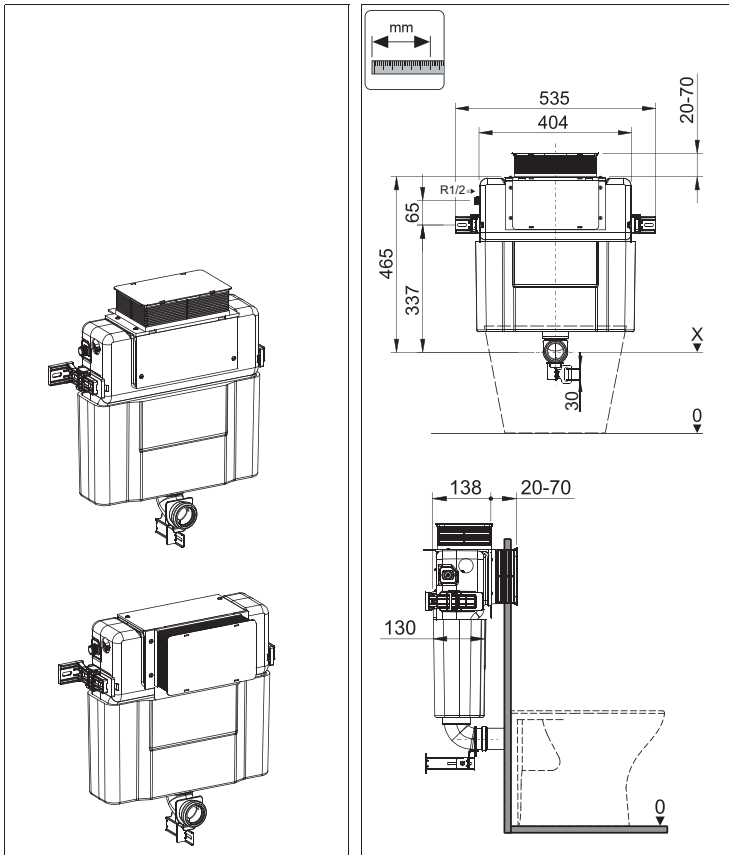


HIDEAWAY PLUS

UNDERCOUNTER CISTERN (BACK TO WALL PAN)

Suitable for front & top access to cistern



Rectangle Button (Inwall)
232 x 152mm

Available in chrome, silver, black or white.

Chrome button trim.



Slim Button (Inwall)
232 x 152mm

Available in chrome, black, brushed brushed nickel or champagne



Round Button (Inwall)
232 x 148mm

ABS chrome buttons.

Backing plate available in polished stainless steel, brushed stainless steel, black glass or white glass

Cistern requires alternate access

Remote Installation Kit consists of:

- 4 metre conduit and 2 circlips
- 4 metre pneumatic hoses (2)
- Mounting box (Remote Button and Plate only)



Round Remote Access Button and Plate (Inwall) 175 x 108mm

ABS chrome buttons.

Backing plate available in polished stainless steel, brushed stainless steel, black glass or white glass



Round Remote Access Buttons Only* 48mm diameter

Available in chrome

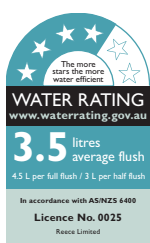
*Remote buttons require access for servicing



To see the complete Hideaway Plus range go to www.reece.com.au/bathrooms

FEATURES

Recommended Use	Domestic, hotel and commercial
Available Buttons	See above (To be ordered separately)
Water Efficiency	4 Star. 4.5/3L per flush Average flush: 3.5L
Pressure Rating	Maximum operating pressure 1000 kPa Note: As per AS/NZS 3500 pressure must be limited to 500 kPa on any new home, extension or renovation. Note: For best performance and longer life we recommend 350-500 kPa
Standards	AS1172
Standards Lic. No.	WMK26574



Disclaimer: Products in this specification manual must by regulation be installed by licensed and registered trade people. The manufacturer/distributor reserves the right to vary specifications or delete models from their range without prior notification. Dimensions are nominal measurements only. Dimensions and set-outs listed are correct at time of publication however the manufacturer/distributor takes no responsibility for printing errors.

Tech Page Version 1

