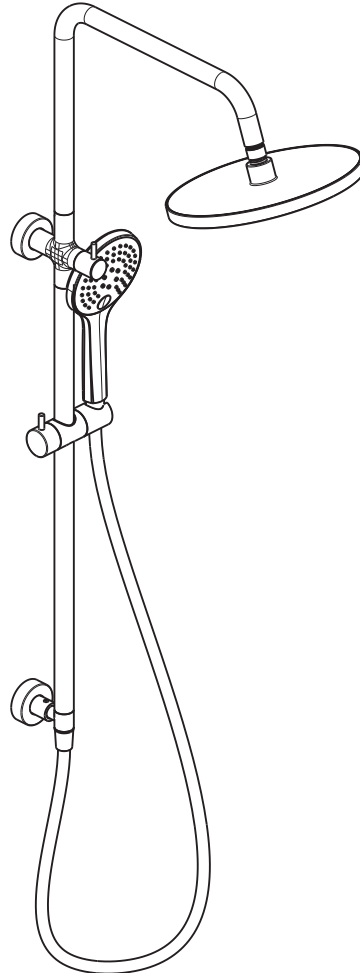


mizu

Drift Twin Rail Shower 250mm ABS Overhead with Top Rail Water Inlet (6 Star)



Prior To Installation

Important

The Mizu Drift Twin Rail Shower must be installed to the requirements of AS/NZS 3500.1 by a qualified plumber. It comes to you already factory assembled and tested. We do not recommend the dismantling of any internal part of the product. The Mizu Drift Twin Shower is tested and sealed so as to give the best performance.

Important

Where water pressure exceeds 500Kpa a pressure limiting device must be fitted as per requirement in AS/NZS 3500.1

Important

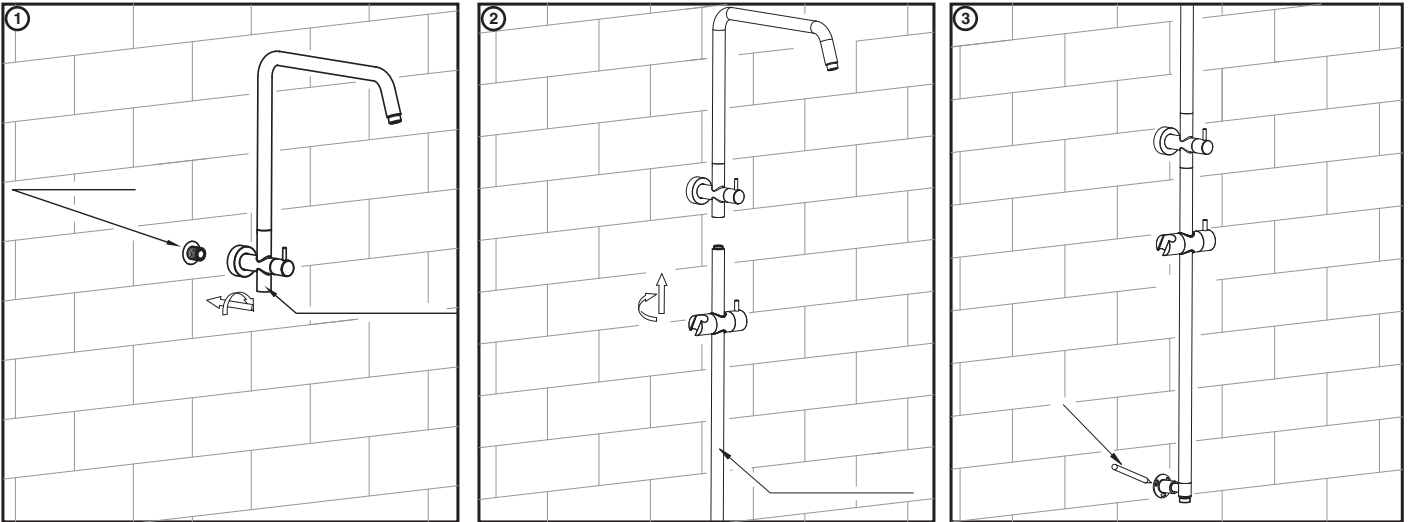
This shower may not be suitable for use with gravity-fed water heaters, low and unequal pressure supply networks, instantaneous water heaters, tempering valves and thermostatic mixing valves.

Note: Please consider height of water inlet point at rough in stage. Recommended height is 1800mm from finished floor. Although consider end user requirement.

mizu

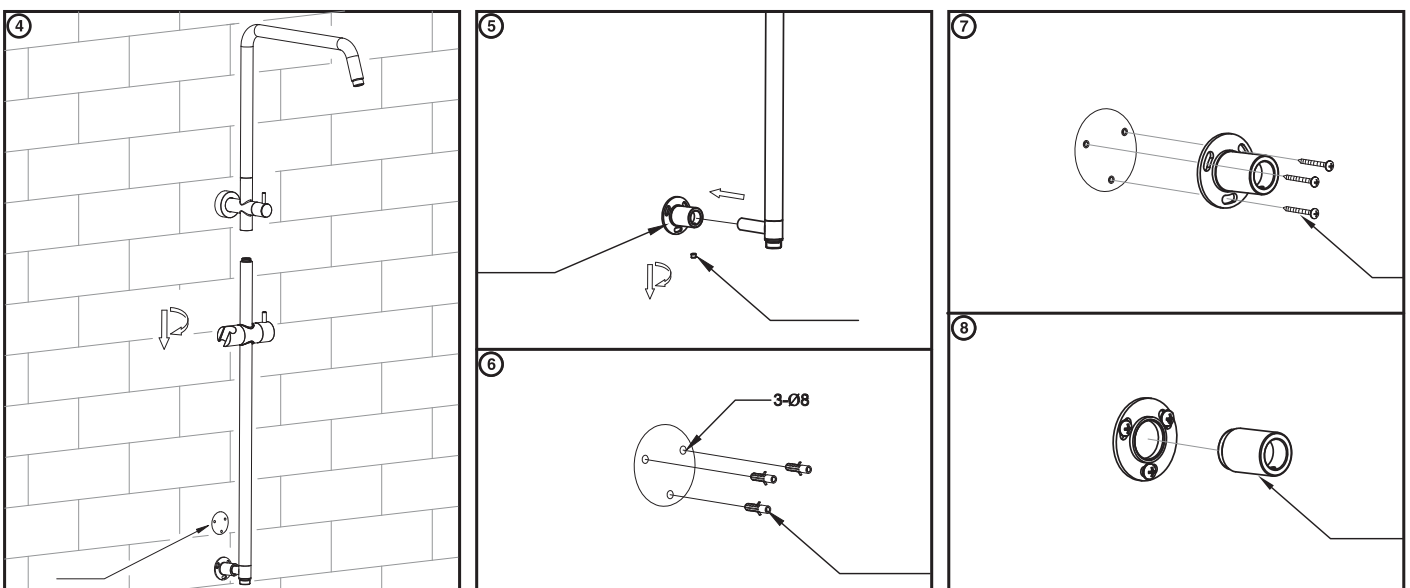
Drift Twin Rail Shower 250mm ABS Overhead with Top Rail Water Inlet (6 Star)

Installation



Do not overtighten threaded connections

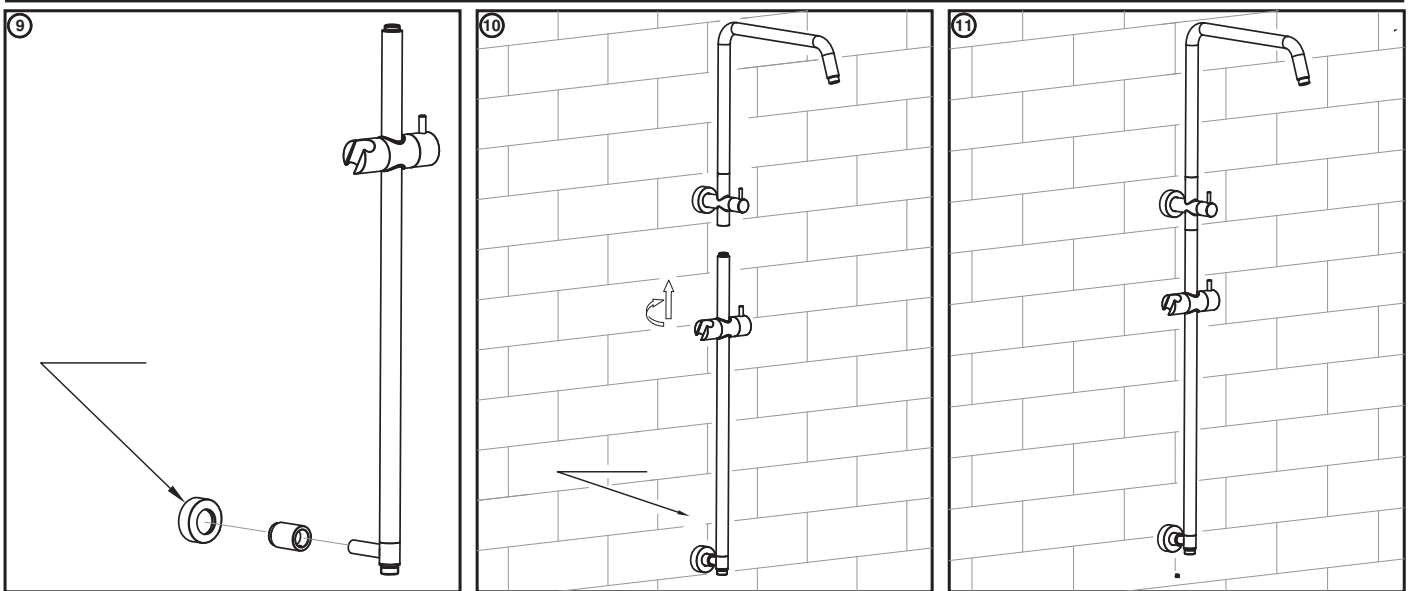
1. Fix the upper rail section to the wall screwing the female water inlet connection to the pre-installed male threaded water supply.
2. Secure in place by tightening 2 allen key grub screws at rear of female water inlet connection.
3. Connect the lower rail to the water inlet/diverter via the threaded fitting.
4. Fit lower rail via screw and expansion plug into place with bottom mounting bracket.



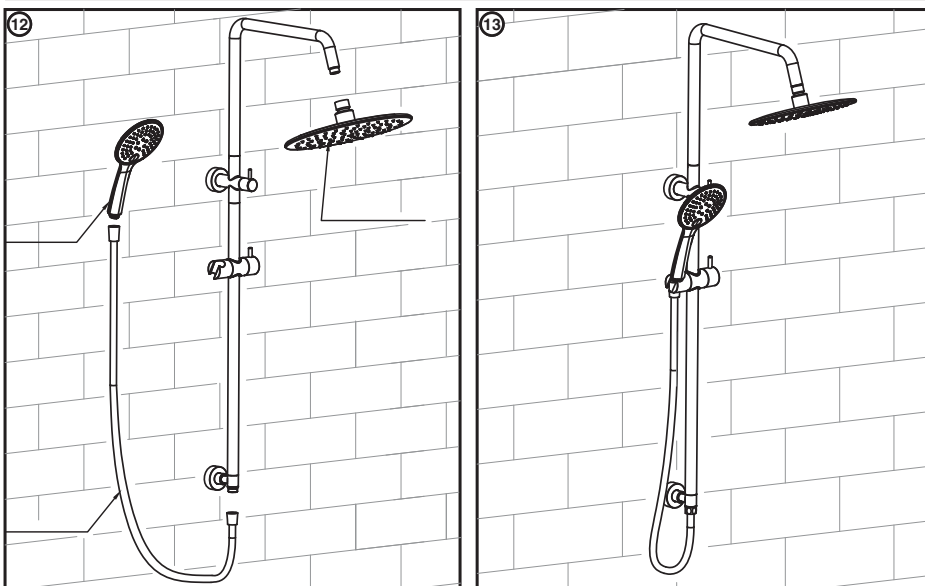
5. Disconnect the lower rail from the water inlet/diverter.
6. Unscrew the set screw in the rail collar with a 2.5mm hex key and remove the slotted fixing plate.
7. For solid wall applications only, drill out the pre-marked fixing holes and insert the expansion plugs. Ensure it is vertically in line with the water inlet /diverter connector.
8. Drill the fixing plate securely to the wall.
9. Unscrew and remove the adaptor collar from the fixing plate.

mizu

Drift Twin Rail Shower 250mm ABS Overhead with Top Rail Water Inlet (6 Star)



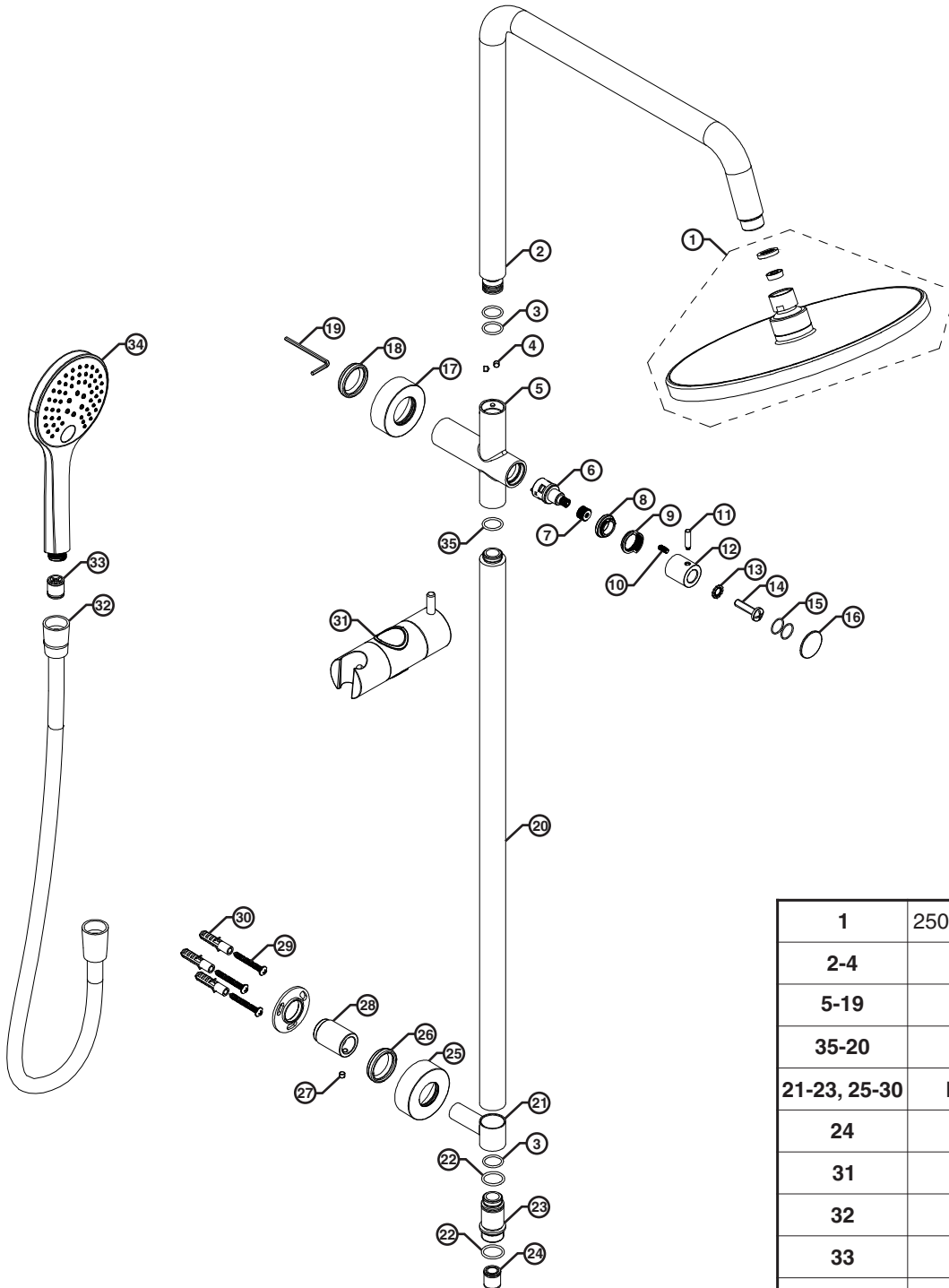
- 10.** Slide the adaptor collar and cover plate onto the horizontal rail mount (do not tighten the set screw on the adaptor at this point).
- 11.** Re-connect the lower rail to the water inlet/driver via the threaded fitting.
- 12.** Connect the adaptor collar to the fixing plate and tighten the set screw on the adaptor collar.



- 13.** Connect the flexible hose and handshower to complete the installation.
- 14.** Turn on water supply to rail to check operation and for any leak.

mizu

Drift Twin Rail Shower 250mm ABS Overhead with Top Rail Water Inlet (6 Star)



1	250mm Overhead Shower Head
2-4	Upper Rail/Arm
5-19	Water Inlet Connector with Divertor
35-20	Bottom Rail Assembly
21-23, 25-30	Bottom Mounting Bracket
24	Check Valve
31	Shower Slider
32	Shower Hose
33	Check Valve
34	Handshower Handpiece

Care Details

We recommend the use of soapy water or approved cleaners. This product should not be cleaned with abrasive materials. Damage caused by any improper treatment is not covered by the product warranty. Refer to Warranty Conditions

Plumbers, please ensure a copy of the installation instruction is left with the end user for future reference.

