

LAUFEN Kartell Rimless Back to Wall Pan and Soft Close Seat White (4 Star)

1813054

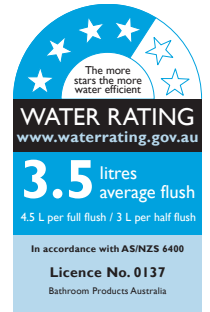
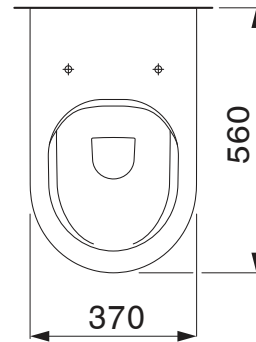
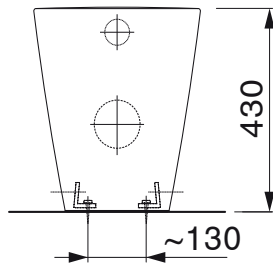
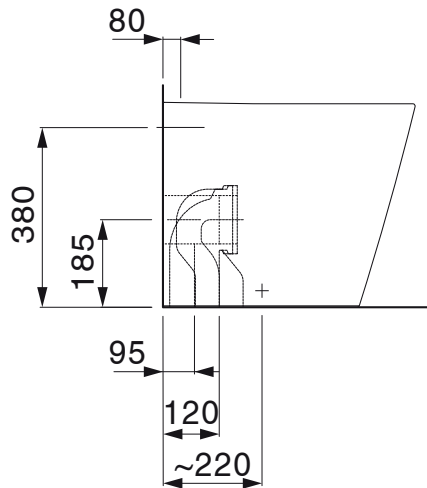
SPECIFICATIONS

Recommended Use	Domestic, Hotel & Commercial
Pan Material	Vitreous China
Toilet Seat Material	Duroplast
Weight of Pan	28 kg
Water Inlet Position	Back Inlet
Toilet Seat Type	Soft Close
Rim Configuration	Rimless
Pan Outlet Type	Universal S & P
Pan Fixing	Screwed to floor with floor brackets & bedded with sealant
Inlet Valve Pressure Rating	500 kPa

WARRANTY

Warranty - Domestic Use	15 Years
Spare Parts & Labour	12 Months

Please refer to Warranty Page for full Terms and Conditions



Dimensions are nominal measurements only.

CLEANING RECOMMENDATIONS:

We recommend the use of soapy water or approved cleaners. This product should not be cleaned with abrasive materials. Damage caused by any improper treatment is not covered by the product warranty. Refer to Warranty Conditions

Disclaimer: Products in this specification manual must by regulation be installed by licensed and registered trade people. The manufacturer/distributor reserves the right to vary specifications or delete models from their range without prior notification. Dimensions are nominal measurements only. Dimensions and set-outs listed are correct at time of publication however the manufacturer/distributor takes no responsibility for printing errors.

Published 28/10/2022

To see the complete Laufen range go to www.reece.com.au/bathrooms

